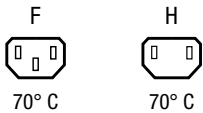
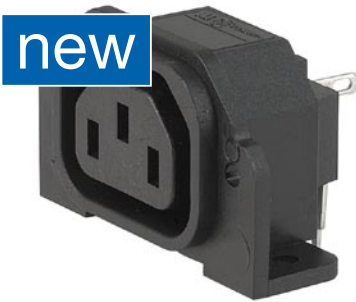


IEC Appliance Outlet F, Screw-on Mounting, Rear Side, PCB-/Solder Terminal

**Description**

- Panel Mount:  
Screw-on mounting from rear-side
- 1 Function:
- Connector, Pin temperature 70 °C, protection class I or II
- For PCB mounting

**Approvals**

- VDE Certificate Number: -
- UL File Number: -
- CSA File Number: 1896151

**Other versions on request**

- For protection class II

**References**

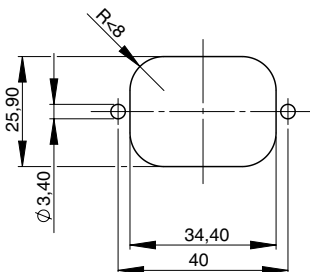
Substitute for type [P675/PC](#)  
Alternative: protection class II version

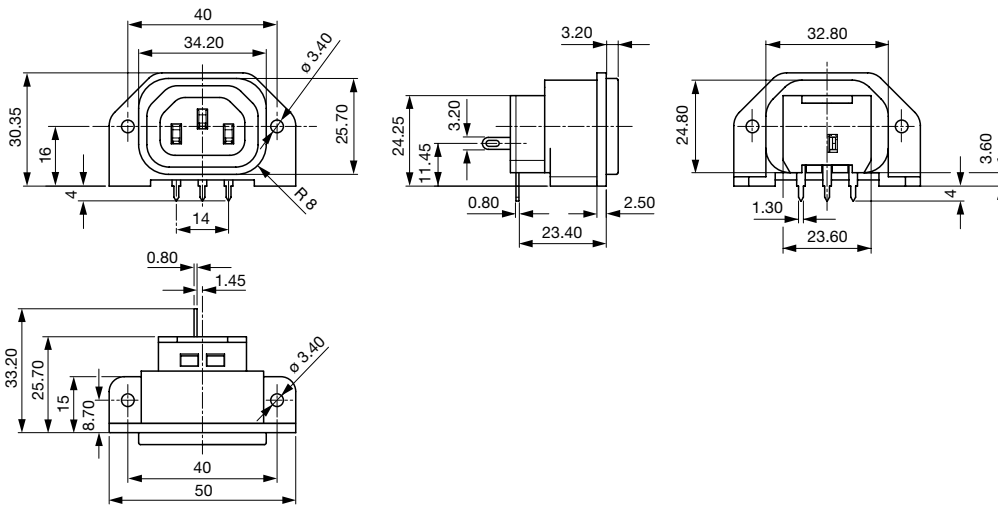
**Weblinks**

[pdf-datasheet](#), [html-datasheet](#), [General Product Information](#), [Approvals](#), [CE declaration of conformity](#), [RoHS](#), [CHINA-RoHS](#), [Mating Connectors](#), [e-Shop](#), [SCHURTER-Stock-Check](#), [Distributor-Stock-Check](#), [CAD-Drawings](#), [Accessories](#), [Mounting instruction](#), [Detailed request for product](#)

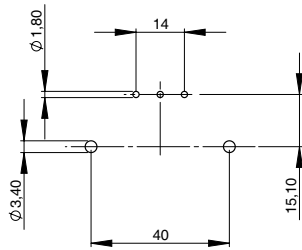
**Technical Data**

Ratings IEC	10A / 250VAC; 50Hz	Appliance Outlet	F acc. to IEC 60320,
Ratings UL/CSA	15A / 250VAC; 60Hz		UL 498, CSA C22.2 no. 42 (for cold
Dielectric Strength	> 4 kVAC between L-N > 2 kVAC between L/N-PE (1 min/50Hz)		conditions) pin-temperature 70 °C, 10A,
Allowable Operation Temp.	-25 °C to 70 °C		Protection Class I or II
Degree of Protection	from front side IP 20 acc. to IEC 60529		
Protection Class	Suitable for appliances with protection class I or II acc. to IEC 61140		
Terminal	For PCB mounting ; Ground terminal: Solder terminal straight		
Material: Housing	PA6, black / grey / white, UL 94V-0		

**Dimensions**



### Drilling diagrams



## Config. Code


5001 - H - A B C 0 - D - E O

The characters are placeholders for the correspondingly keys of selections from the key tables.

5001 - H - A B C 0 - D - E O = Type

Type	Configuration key
protection class 2	B
protection class 1	X

5001 - H - A B C 0 - D - E O = Terminals

Terminal L	Configuration key
PCB-terminal (standard) 	4

5001 - H - A B C 0 - D - E O = Terminals

Terminal N	Configuration key
PCB-terminal (standard)	4

Symbols similar as in table A

5001 - H - A B C 0 - D - E O = Terminals

Terminal Ground	Configuration key
without terminal	0
PCB-terminal (long)	6

Symbols similar as in table A

5001 - H - A B C 0 - D - E O = Color

Color	Configuration key
Black	A
Grey	B
White	D

5001 - H - A B C 0 - D - E O = Style

Style	Configuration key
flange with through holes	2
flange with through holes (special type)	7

5001 - H - A B C 0 - D - E O = Features

Features	Configuration key

Packaging unit 50 Pcs

## Mating Inlets/Plugs

## Category / Description

[Plug Overview complete](#)

IEC Plug E, Cord Connector (Rewireable), Straight, max. cable Diameter 8.5 mm	4732
IEC Plug E, Cord Connector (Rewireable), Angled, max. Cable Diameter 8.5 mm	4733
IEC Plug E, Cord Connector (Rewireable), Straight, max. Cable Diameter 10 mm	4735
IEC Plug E, Cord Connector (Rewireable), Angled, max. Cable Diameter 10 mm	4736
IEC Plug E, Cord Connector (Rewireable), Straight	9009
<a href="#">Plug further types to 5001</a>	...