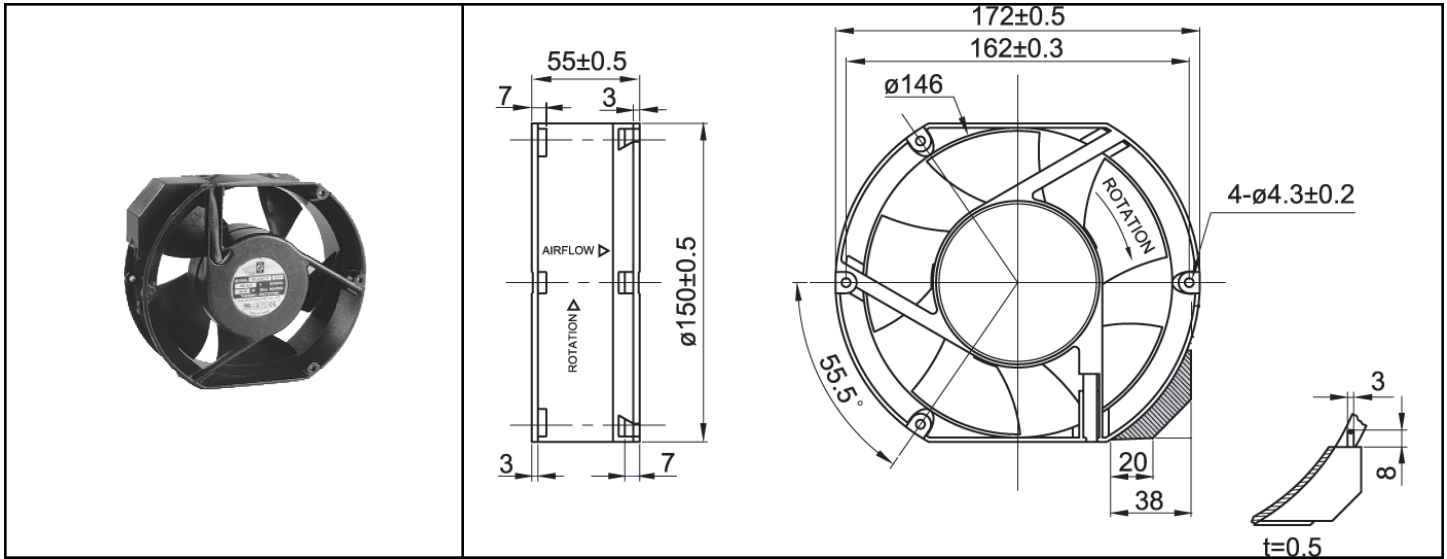


OA172SAP XC Series



AC FAN - Salt Fog Rated
172x150x55mm (6.7"x 5.9"x 2.2")



Frame	Diecast Aluminum	<u>Environmental Protection</u> SALT FOG RATED <u>Operating Temperature</u> -20C ~ +70C <u>Life Expectancy</u> >40,000 hours (L10, 40C)	
Impeller	PBT, UL94V-O plastic		
Connection	Terminals		
Motor	AC Capacitor drive, Thermally protected		
Bearing System	Dual ball bearing		
Insulation Resistance	>100M ohm between lead-wire and frame (500VDC)		
Dielectric Strength	1500V / 1 min		
		m2	

Model Number	OA172SAP-11-1TBXC (SF)	OA172SAP-22-1TBXC (SF)
Part Number	230385562	230685562
Nominal Voltage	115 VAC	230 VAC
Voltage Range	103 ~ 126 VAC	207 ~ 253 VAC
Rated Current	0.34 A	0.17 A
Locked Current	0.76 A	0.38 A
Rated Power	38 W	38 W
Rated Speed (RPM)	3400	3400
Airflow (CFM)	293	293
Noise Level (dB)	60	60
Max. Static Pressure (\" H ₂ O)	0.90	0.90