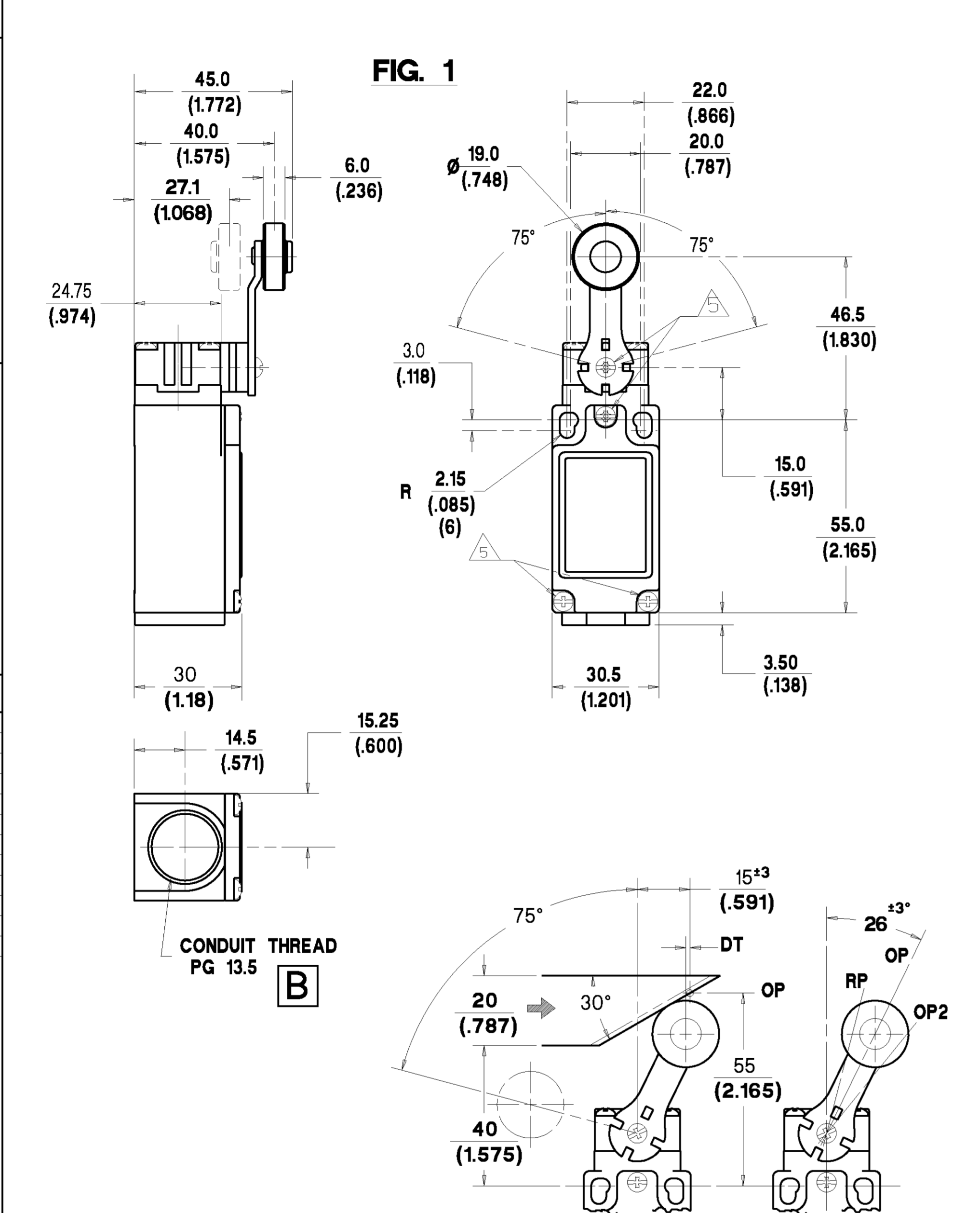


**MTG-GL-172**  
 REPLACES AO1B-3B  
 DRAWING NUMBER  
 ISSUE 11  
 REVISIONS  
 6/7/96 AO1B-262  
 7/12/96 AO1B-293  
 8/7/97 CO-000083  
 9/8/97 CO-000105  
 10/CO/395 I WEIR 6/98  
 11/PM 03/05 0011918  
 DRAWN M. LOCH  
 CHECK I. WEIR  
 DESIGN J. BOYD  
 AUTHORIN P. TRICKETT

**Honeywell** **LIMIT SWITCH** **GLS**  
 CHART NO. **MTG-GL-172**



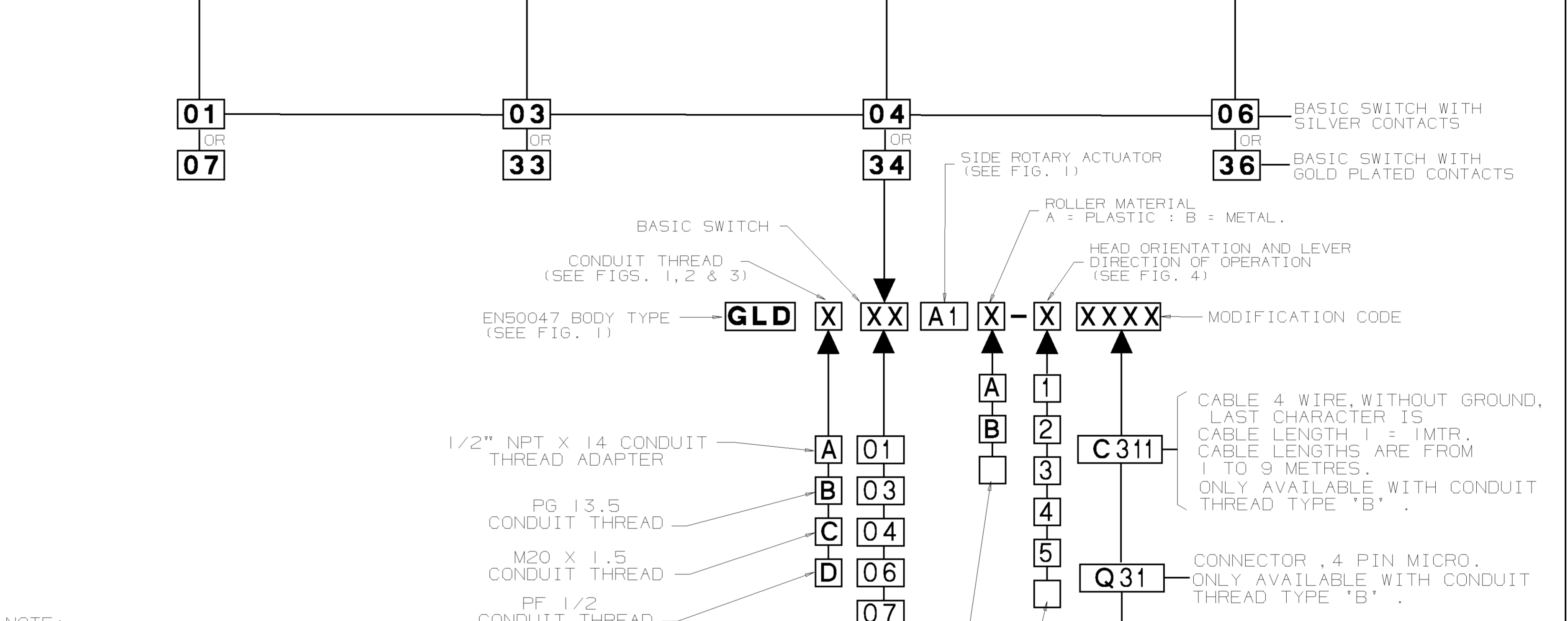
**NOTES:-**

- MICRO SWITCH BLUE GLASS FILLED POLYESTER HOUSING & COVER. BLACK GLASS FILLED POLYAMIDE HEAD.
- ENCLOSURE DOUBLE INSULATED TO IEC 539 CLASS II.
- MINIMUM OPERATING VELOCITY ( $V_{min}$ ) = 2.0 MM/S (THESE LIMITS APPLY TO CAM OPERATION AS SHOWN IN THE ABOVE DIAGRAMS ONLY)  
 MAXIMUM OPERATING VELOCITY ( $V_{max}$ ) = 200 MM/S  
 MAXIMUM OPERATING FREQUENCY ( $F_{max}$ ) = 250 OPS/MIN
- FREE POSITION (FP), OPERATING POINT (OP), OVERTRAVEL (OT) AND PRETRAVEL (PT) ALL TO EN50047.

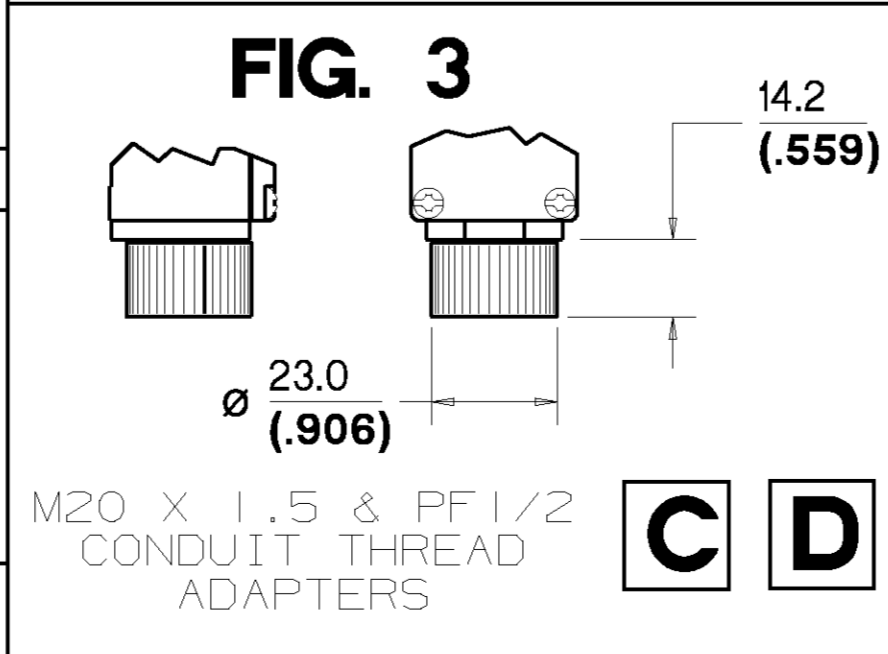
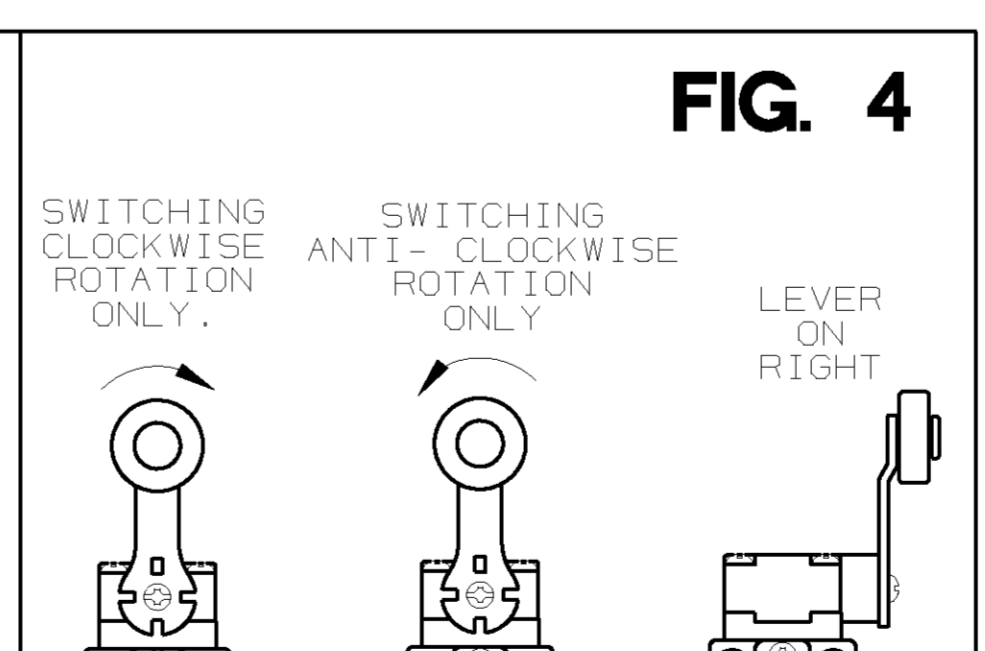
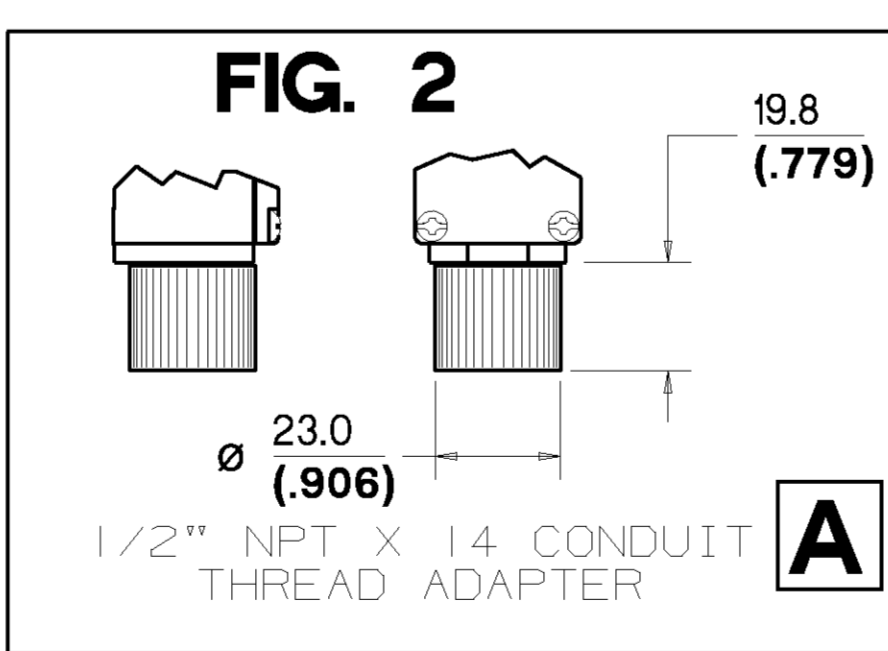
△ MAXIMUM TIGHTENING TORQUE FOR FIXING SCREW = 0.5Nm (4.4in.LB)

NO CHANGES CAN BE MADE TO THIS DRAWING WITHOUT JOINT NEWHOUSE/FREEPORT APPROVAL

CONTACT BLOCK DIAGRAM	NOMINAL TRAVELS AND RELATED TERMINALS	NORMAL OPERATING TORQUE MAX	MAXIMUM DISCONNECT TORQUE
SNAP-ACTION CONTACTS 	 DT = 9.8mm RP = 5.2mm FP = 0° OP = 26° DT = 11.5° OP = 26° RP = 14.5° OT = 61° to 75°	120 (1.1)	140 (1.3)
SLOW-ACTION CONTACTS (BREAK BEFORE MAKE) 	 FP = 0° OP = 26° * = 36.5° OP2 = 39° OT = 61° to 75°	110 (1.0)	160 (1.5)
SLOW-ACTION CONTACTS (MAKE BEFORE BREAK) 	 FP = 0° OP = 26° * = 50.5° OP2 = 39° OT = 61° to 75°	110 (1.0)	170 (1.6)
SLOW-ACTION CONTACTS (2 NORMALLY CLOSED) 	 FP = 0° OP = 26° * = 46.5° OT = 61° to 75°	110 (1.0)	150 (1.4)



NOTE:- ANY STANDARD LISTING WITH SUFFIX 'RS' OR 'FE' IS PERMITTED.



IEC 947-5-1 ELECTRICAL RATING			ENVIRONMENTAL		APPROVALS
SILVER CONTACTS			ENVIRONMENTAL		UL IEC 947-5-1 EN50047
GOLD PLATED CONTACTS			IP66 NEMA 1, 4, 12, 13		
AC	AC (FOR 2NC)	DC	TEMP RANGE : -25°C TO 85°C -13°F TO 185°F		SCALE DIMENSIONS ARE IN MM/INCHES. MODIFY ON CAD SYSTEM ONLY
AG00 AC15 Ue Ie	A500 AC15 Ue Ie	O500 DC13 Ue Ie	STORAGE : -40°C TO 85°C -40°F TO 185°F		
VOLTS AMPS 120 1.5 240 1.5 380 1.5 480 1.5 500 1.5	VOLTS AMPS 120 1.5 240 1.5 380 1.5 480 1.5 500 1.5	VOLTS AMPS 120 0.27 250 0.27	SHOCK : 50G PER IEC 68-2-27 VIBRATION : 10G PER IEC 68-2-6		
I <sub>th</sub> = 10A 1V 10µA MIN. 50V 100mA MAX.					

NOTE: FOR CONNECTION DIAGRAMS AND ADDITIONAL ELECTRICAL, ENVIRONMENTAL & DIMENSIONAL INFORMATION SEE DRAWING GL-49212.