

## LM4120 Precision Micropower Low Dropout Voltage Reference

Check for Samples: [LM4120](#)

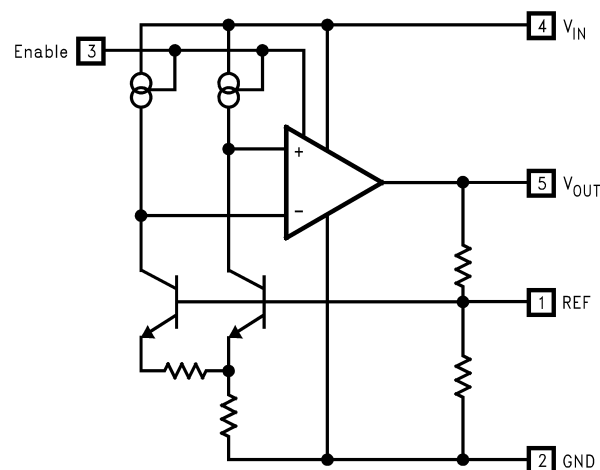
### FEATURES

- **Small SOT23-5 Package**
- **Low Dropout Voltage: 120 mV Typ @ 1 mA**
- **High Output Voltage Accuracy: 0.2%**
- **Source and Sink Current Output:  $\pm 5$  mA**
- **Supply Current: 160  $\mu$ A Typ.**
- **Low Temperature Coefficient: 50 ppm/ $^{\circ}$ C**
- **Enable Pin**
- **Fixed Output Voltages: 1.8, 2.048, 2.5, 3.0, 3.3, 4.096 and 5.0V**
- **Industrial Temperature Range:  $-40^{\circ}$ C to  $+85^{\circ}$ C**
- **(For Extended Temperature Range,  $-40^{\circ}$ C to  $125^{\circ}$ C, Contact Texas Instruments)**

### APPLICATIONS

- **Portable, Battery Powered Equipment**
- **Instrumentation and Process Control**
- **Automotive & Industrial**
- **Test Equipment**
- **Data Acquisition Systems**
- **Precision Regulators**
- **Battery Chargers**
- **Base Stations**
- **Communications**
- **Medical Equipment**

### Functional Block Diagram



### DESCRIPTION

The LM4120 is a precision low power low dropout bandgap voltage reference with up to 5 mA output current source and sink capability.

This series reference operates with input voltages as low as 2V and up to 12V consuming 160  $\mu$ A (Typ.) supply current. In power down mode, device current drops to less than 2  $\mu$ A.

The LM4120 comes in two grades (A and Standard) and seven voltage options for greater flexibility. The best grade devices (A) have an initial accuracy of 0.2%, while the standard have an initial accuracy of 0.5%, both with a tempco of 50ppm/ $^{\circ}$ C ensured from  $-40^{\circ}$ C to  $+125^{\circ}$ C.

The very low dropout voltage, low supply current and power-down capability of the LM4120 makes this product an ideal choice for battery powered and portable applications.

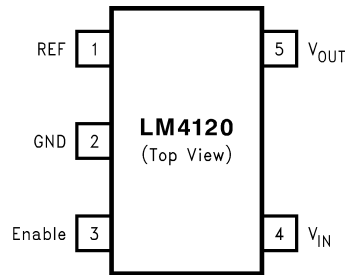
The device performance is ensured over the industrial temperature range ( $-40^{\circ}$ C to  $+85^{\circ}$ C), while certain specs are ensured over the extended temperature range ( $-40^{\circ}$ C to  $+125^{\circ}$ C). Please contact Texas Instruments for full specifications over the extended temperature range. The LM4120 is available in a standard 5-pin SOT-23 package.



Please be aware that an important notice concerning availability, standard warranty, and use in critical applications of Texas Instruments semiconductor products and disclaimers thereto appears at the end of this data sheet.

All trademarks are the property of their respective owners.

## Connection Diagram



**Figure 1. SOT23-5 Surface Mount Package**

**Table 1. SOT-23 Package Marking Information<sup>(1)</sup>**

Field Information
First Field: R = Reference
Second and third Field: 21 = 1.800V Voltage Option 14 = 2.048V Voltage Option 08 = 2.500V Voltage Option 15 = 3.000V Voltage Option 16 = 3.300V Voltage Option 17 = 4.096V Voltage Option 18 = 5.000V Voltage Option
Fourth Field: A-B = Initial Reference Voltage Tolerance A = $\pm 0.2\%$ B = $\pm 0.5\%$

(1) Only four fields of marking are possible on the SOT-23's small surface. This table gives the meaning of the four fields.



These devices have limited built-in ESD protection. The leads should be shorted together or the device placed in conductive foam during storage or handling to prevent electrostatic damage to the MOS gates.

### Absolute Maximum Ratings <sup>(1)(2)</sup>

Maximum Voltage on input or enable pins	-0.3V to 14V
Output Short-Circuit Duration	Indefinite
Power Dissipation ( $T_A = 25^\circ\text{C}$ ) <sup>(3)</sup> :	
DBV005B package – $\theta_{JA}$	280°C/W
Power Dissipation	350 mW
ESD Susceptibility <sup>(4)</sup>	
Human Body Model	2 kV
Machine Model	200V
Lead Temperature:	
Soldering, (10 sec.)	+260°C
Vapor Phase (60 sec.)	+215°C
Infrared (15 sec.)	+220°C

- (1) "Absolute Maximum Ratings" indicate limits beyond which damage to the device may occur. Operating Ratings indicate conditions for which the device is intended to be functional, but do not ensure specific performance limits. For ensured specifications and test conditions, see Electrical Characteristics. The ensured specifications apply only for the test conditions listed. Some performance characteristics may degrade when the device is not operated under the listed test conditions.
- (2) If Military/Aerospace specified devices are required, please contact the Texas Instruments Sales Office/ Distributors for availability and specifications.
- (3) Without PCB copper enhancements. The maximum power dissipation must be de-rated at elevated temperatures and is limited by  $T_{JMAX}$  (maximum junction temperature),  $\theta_{JA}$  (junction to ambient thermal resistance) and  $T_A$  (ambient temperature). The maximum power dissipation at any temperature is:  $P_{DissMAX} = (T_{JMAX} - T_A)/\theta_{JA}$  up to the value listed in the Absolute Maximum Ratings.
- (4) The human body model is a 100 pF capacitor discharged through a 1.5 k $\Omega$  resistor into each pin. The machine model is a 200 pF capacitor discharged directly into each pin.

### Operating Range <sup>(1)</sup>

Storage Temperature Range	-65°C to +150°C
Ambient Temperature Range	-40°C to +85°C
Junction Temperature Range	-40°C to +125°C

- (1) "Absolute Maximum Ratings" indicate limits beyond which damage to the device may occur. Operating Ratings indicate conditions for which the device is intended to be functional, but do not ensure specific performance limits. For ensured specifications and test conditions, see Electrical Characteristics. The ensured specifications apply only for the test conditions listed. Some performance characteristics may degrade when the device is not operated under the listed test conditions.

### Electrical Characteristics LM4120-1.8V, 2.048V and 2.5V

Unless otherwise specified  $V_{IN} = 3.3V$ ,  $I_{LOAD} = 0$ ,  $C_{OUT} = 0.01\mu\text{F}$ ,  $T_A = T_j = 25^\circ\text{C}$ . Limits with standard typeface are for  $T_j = 25^\circ\text{C}$ , and limits in **boldface type** apply over the  $-40^\circ\text{C} \leq T_A \leq +85^\circ\text{C}$  temperature range.

Symbol	Parameter	Conditions	Min <sup>(1)</sup>	Typ <sup>(2)</sup>	Max <sup>(1)</sup>	Units
$V_{OUT}$	Output Voltage Initial Accuracy LM4120A-1.800 LM4120A-2.048 LM4120A-2.500				±0.2	%
	LM4120-1.800 LM4120-2.048 LM4120-2.500				±0.5	%
$TCV_{OUT}/^\circ\text{C}$	Temperature Coefficient	$-40^\circ\text{C} \leq T_A \leq +125^\circ\text{C}$		14	50	ppm/°c
$\Delta V_{OUT}/\Delta V_{IN}$	Line Regulation	$3.3V \leq V_{IN} \leq 12V$		0.0007	0.008 <b>0.01</b>	%/V

- (1) Limits are 100% production tested at 25°C. Limits over the operating temperature range are ensured through correlation using Statistical Quality Control (SQC) methods. The limits are used to calculate TI's Averaging Outgoing Quality Level (AOQL).
- (2) Typical numbers are at 25°C and represent the most likely parametric norm.

## Electrical Characteristics LM4120-1.8V, 2.048V and 2.5V (continued)

Unless otherwise specified  $V_{IN} = 3.3V$ ,  $I_{LOAD} = 0$ ,  $C_{OUT} = 0.01\mu F$ ,  $T_A = T_j = 25^\circ C$ . Limits with standard typeface are for  $T_j = 25^\circ C$ , and limits in **boldface type** apply over the  $-40^\circ C \leq T_A \leq +85^\circ C$  temperature range.

Symbol	Parameter	Conditions	Min <sup>(1)</sup>	Typ <sup>(2)</sup>	Max <sup>(1)</sup>	Units
$\Delta V_{OUT}/\Delta I_{LOAD}$	Load Regulation	$0\text{ mA} \leq I_{LOAD} \leq 1\text{ mA}$		0.03	0.08 <b>0.17</b>	%mA
		$1\text{ mA} \leq I_{LOAD} \leq 5\text{ mA}$		0.01	0.04 <b>0.1</b>	
		$-1\text{ mA} \leq I_{LOAD} \leq 0\text{ mA}$		0.04	0.12	
		$-5\text{ mA} \leq I_{LOAD} \leq -1\text{ mA}$		0.01		
$V_{IN}-V_{OUT}$	Dropout Voltage <sup>(3)</sup>	$I_{LOAD} = 0\text{ mA}$		45	65 <b>80</b>	mV
		$I_{LOAD} = +1\text{ mA}$		120	150 <b>180</b>	
		$I_{LOAD} = +5\text{ mA}$		180	210 <b>250</b>	
$V_N$	Output Noise Voltage <sup>(4)</sup>	0.1 Hz to 10 Hz		20		$\mu V_{PP}$
		10 Hz to 10 kHz		36		$\mu V_{PP}$
$I_S$	Supply Current			160	250 <b>275</b>	$\mu A$
$I_{SS}$	Power-down Supply Current	Enable = 0.4V $-40^\circ C \leq T_j \leq +85^\circ C$ Enable = 0.2V			1 <b>2</b>	$\mu A$
$V_H$	Logic High Input Voltage		<b>2.4</b>	2.4		V
$V_L$	Logic Low Input Voltage			0.4	<b>0.2</b>	V
$I_H$	Logic High Input Current			7	<b>15</b>	$\mu A$
$I_L$	Logic Low Input Current			0.1		$\mu A$
$I_{SC}$	Short Circuit Current	$V_{IN} = 3.3V, V_{OUT} = 0$		15		mA
			<b>6</b>		<b>30</b>	
		$V_{IN} = 12V, V_{OUT} = 0$		17		
			<b>6</b>		<b>30</b>	
Hyst	Thermal Hysteresis <sup>(5)</sup>	$-40^\circ C \leq T_A \leq 125^\circ C$		0.5		mV/V
$\Delta V_{OUT}$	Long Term Stability <sup>(6)</sup>	1000 hrs. @ $25^\circ C$		100		ppm

(3) Dropout voltage is the differential voltage between  $V_{OUT}$  and  $V_{IN}$  at which  $V_{OUT}$  changes  $\leq 1\%$  from  $V_{OUT}$  at  $V_{IN} = 3.3V$  for 1.8V, 2.0V, 2.5V and  $V_{OUT} + 1V$  for others. For 1.8V option, dropout voltage is not ensured over temperature. A parasitic diode exists between input and output pins; it will conduct if  $V_{OUT}$  is pulled to a higher voltage than  $V_{IN}$ .

(4) Output noise voltage is proportional to  $V_{OUT}$ .  $V_N$  for other voltage option is calculated using  $(V_{N(1.8V)}/1.8) * V_{OUT}$ .  $V_N(2.5V) = (36\mu V_{PP}/1.8) * 2.5 = 46\mu V_{PP}$ .

(5) Thermal hysteresis is defined as the change in  $+25^\circ C$  output voltage before and after exposing the device to temperature extremes.

(6) Long term stability is change in  $V_{REF}$  at  $25^\circ C$  measured continuously during 1000 hrs.

## Electrical Characteristics LM4120-3.0V, 3.3V, 4.096V and 5.0V

Unless otherwise specified  $V_{IN} = V_{OUT} + 1V$ ,  $I_{LOAD} = 0$ ,  $C_{OUT} = 0.01\mu F$ ,  $T_A = T_j = 25^\circ C$ . Limits with standard typeface are for  $T_j = 25^\circ C$ , and limits in **boldface type** apply over the  $-40^\circ C \leq T_A \leq +85^\circ C$  temperature range.

**Electrical Characteristics  
LM4120-3.0V, 3.3V, 4.096V and 5.0V (continued)**

Unless otherwise specified  $V_{IN} = V_{OUT} + 1V$ ,  $I_{LOAD} = 0$ ,  $C_{OUT} = 0.01\mu F$ ,  $T_A = T_J = 25^\circ C$ . Limits with standard typeface are for  $T_J = 25^\circ C$ , and limits in **boldface type** apply over the  $-40^\circ C \leq T_A \leq +85^\circ C$  temperature range.

Symbol	Parameter	Conditions	Min <sup>(1)</sup>	Typ <sup>(2)</sup>	Max <sup>(1)</sup>	Units
$V_{OUT}$	Output Voltage Initial Accuracy LM4120A-3.000 LM4120A-3.300 LM4120A-4.096 LM4120A-5.000				±0.2	%
	LM4120-3.000 LM4120-3.300 LM4120-4.096 LM4120-5.000				±0.5	%
$TCV_{OUT}/^\circ C$	Temperature Coefficient	$-40^\circ C \leq T_A \leq +125^\circ C$		14	50	ppm/ $^\circ C$
$\Delta V_{OUT}/\Delta V_{IN}$	Line Regulation	$(V_{OUT} + 1V) \leq V_{IN} \leq 12V$		0.0007	0.008 <b>0.01</b>	%/V
$\Delta V_{OUT}/\Delta I_{LOAD}$	Load Regulation	$0 mA \leq I_{LOAD} \leq 1 mA$		0.03	0.08 <b>0.17</b>	%mA
		$1 mA \leq I_{LOAD} \leq 5 mA$		0.01	0.04 <b>0.1</b>	
		$-1 mA \leq I_{LOAD} \leq 0 mA$		0.04	0.12	
		$-5 mA \leq I_{LOAD} \leq -1 mA$		0.01		
$V_{IN}-V_{OUT}$	Dropout Voltage <sup>(3)</sup>	$I_{LOAD} = 0 mA$		45	65 <b>80</b>	mV
		$I_{LOAD} = +1 mA$		120	150 <b>180</b>	
		$I_{LOAD} = +5 mA$		180	210 <b>250</b>	
$V_N$	Output Noise Voltage <sup>(4)</sup>	0.1 Hz to 10 Hz		20		$\mu V_{PP}$
		10 Hz to 10 kHz		36		$\mu V_{PP}$
$I_S$	Supply Current			160	250 <b>275</b>	$\mu A$
$I_{SS}$	Power-down Supply Current	Enable = 0.4V $-40^\circ C \leq T_J \leq +85^\circ C$ Enable = 0.2V			1 <b>2</b>	$\mu A$
$V_H$	Logic High Input Voltage		<b>2.4</b>	2.4		V
$V_L$	Logic Low Input Voltage			0.4	<b>0.2</b>	V
$I_H$	Logic High Input Current			7	<b>15</b>	$\mu A$
$I_L$	Logic Low Input Current			0.1		$\mu A$
$I_{SC}$	Short Circuit Current	$V_{OUT} = 0$		15		mA
		$V_{IN} = 12V, V_{OUT} = 0$	<b>6</b>		<b>30</b>	
			<b>6</b>		17	

(1) Limits are 100% production tested at 25°C. Limits over the operating temperature range are ensured through correlation using Statistical Quality Control (SQC) methods. The limits are used to calculate TI's Averaging Outgoing Quality Level (AOQL).

(2) Typical numbers are at 25°C and represent the most likely parametric norm.

(3) Dropout voltage is the differential voltage between  $V_{OUT}$  and  $V_{IN}$  at which  $V_{OUT}$  changes  $\leq 1\%$  from  $V_{OUT}$  at  $V_{IN} = 3.3V$  for 1.8V, 2.0V, 2.5V and  $V_{OUT} + 1V$  for others. For 1.8V option, dropout voltage is not ensured over temperature. A parasitic diode exists between input and output pins; it will conduct if  $V_{OUT}$  is pulled to a higher voltage than  $V_{IN}$ .

(4) Output noise voltage is proportional to  $V_{OUT}$ .  $V_N$  for other voltage option is calculated using  $(V_{N(1.8V)/1.8}) * V_{OUT}$ .  $V_N (2.5V) = (36\mu V_{PP}/1.8) * 2.5 = 46\mu V_{PP}$ .

## Electrical Characteristics

### LM4120-3.0V, 3.3V, 4.096V and 5.0V (continued)

Unless otherwise specified  $V_{IN} = V_{OUT} + 1V$ ,  $I_{LOAD} = 0$ ,  $C_{OUT} = 0.01\mu F$ ,  $T_A = T_j = 25^\circ C$ . Limits with standard typeface are for  $T_j = 25^\circ C$ , and limits in **boldface type** apply over the  $-40^\circ C \leq T_A \leq +85^\circ C$  temperature range.

Symbol	Parameter	Conditions	Min <sup>(1)</sup>	Typ <sup>(2)</sup>	Max <sup>(1)</sup>	Units
Hyst	Thermal Hysteresis <sup>(5)</sup>	$-40^\circ C \leq T_A \leq 125^\circ C$		0.5		mV/V
$\Delta V_{OUT}$	Long Term Stability <sup>(6)</sup>	1000 hrs. @ $25^\circ C$		100		ppm

(5) Thermal hysteresis is defined as the change in  $+25^\circ C$  output voltage before and after exposing the device to temperature extremes.

(6) Long term stability is change in  $V_{REF}$  at  $25^\circ C$  measured continuously during 1000 hrs.

### LM4120 Typical Operating Characteristics

Unless otherwise specified,  $V_{IN} = 3.3V$ ,  $V_{OUT} = 2.5V$ ,  $I_{LOAD} = 0$ ,  $C_{OUT} = 0.022\mu F$ ,  $T_A = 25^\circ C$  and  $V_{EN} = V_{IN}$ .

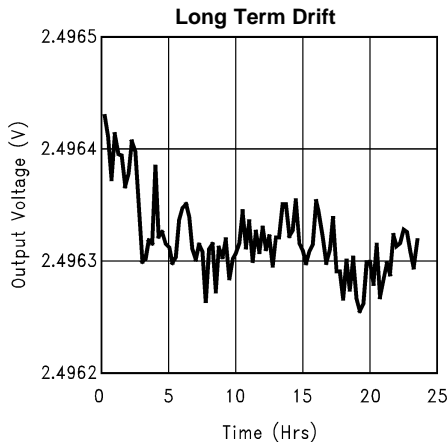


Figure 2.

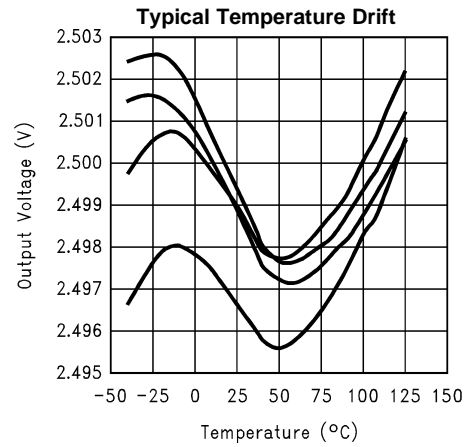


Figure 3.

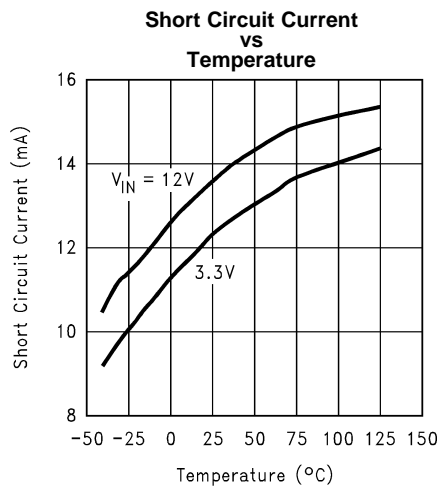


Figure 4.

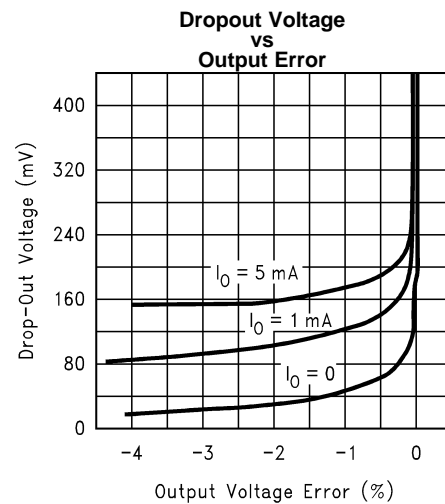


Figure 5.

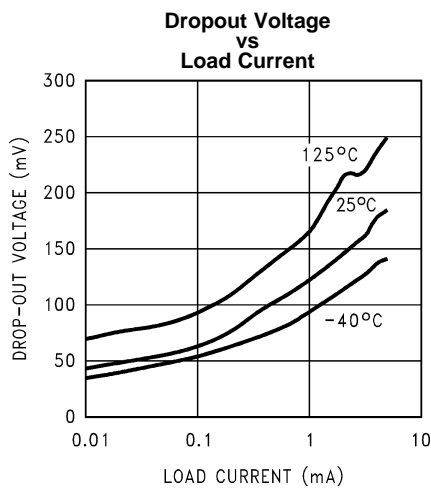


Figure 6.

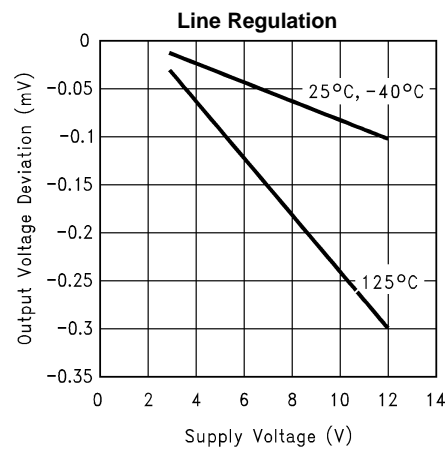
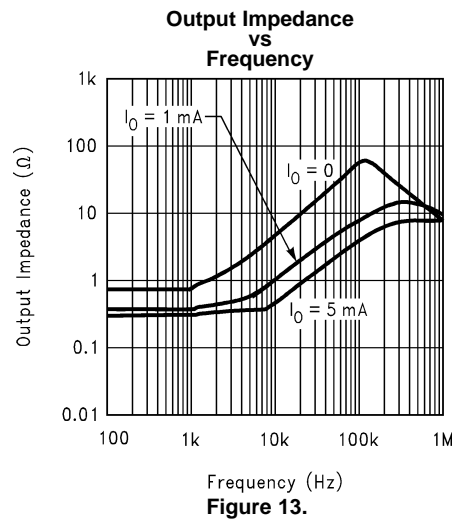
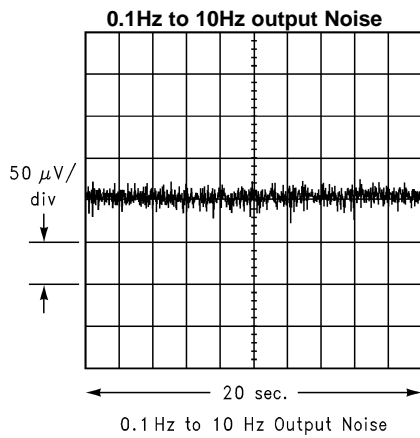
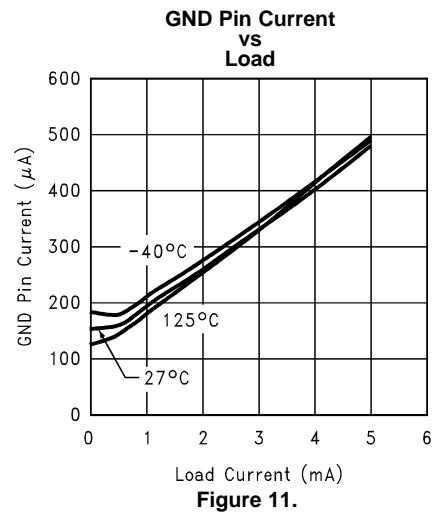
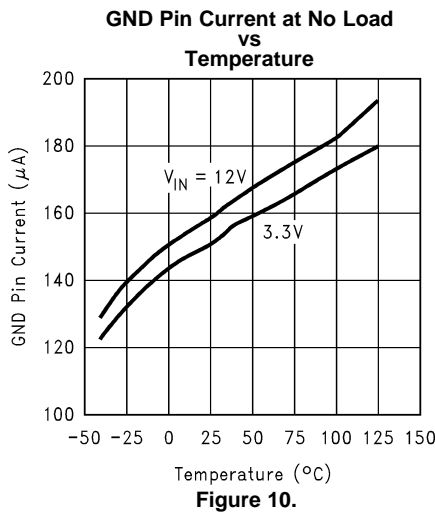
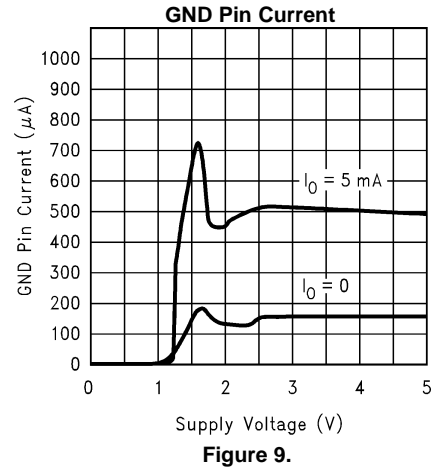
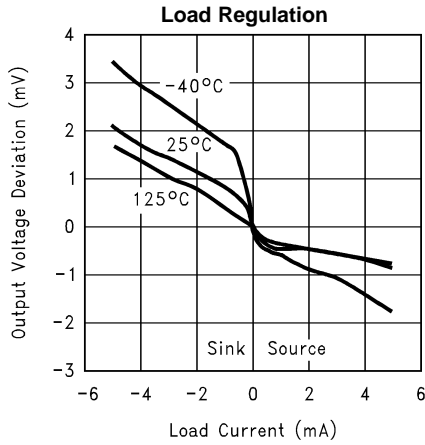


Figure 7.

**LM4120 Typical Operating Characteristics (continued)**

Unless otherwise specified,  $V_{IN} = 3.3V$ ,  $V_{OUT} = 2.5V$ ,  $I_{LOAD} = 0$ ,  $C_{OUT} = 0.022\mu F$ ,  $T_A = 25^\circ C$  and  $V_{EN} = V_{IN}$ .





### LM4120 Typical Operating Characteristics (continued)

Unless otherwise specified,  $V_{IN} = 3.3V$ ,  $V_{OUT} = 2.5V$ ,  $I_{LOAD} = 0$ ,  $C_{OUT} = 0.022\mu F$ ,  $T_A = 25^\circ C$  and  $V_{EN} = V_{IN}$ .

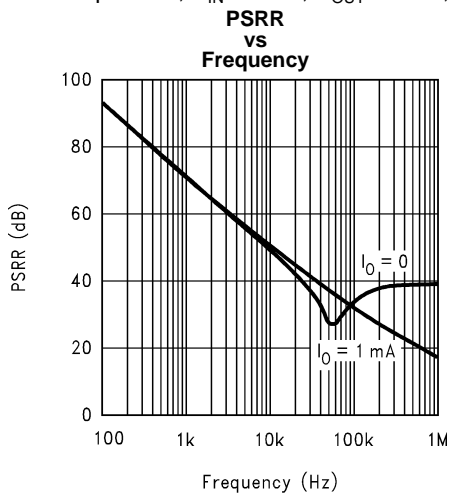


Figure 14.

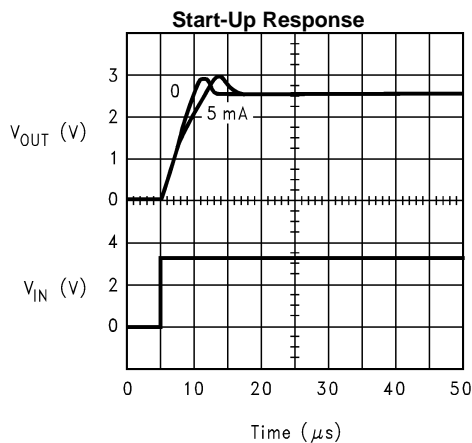


Figure 15.

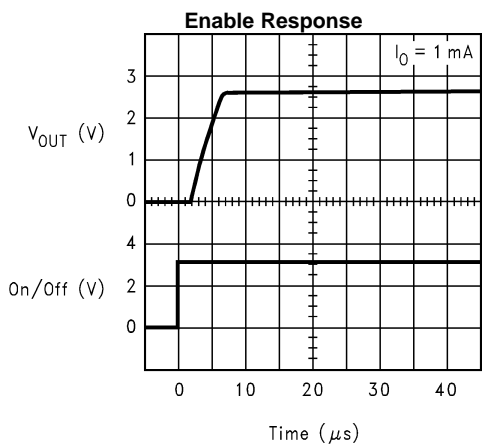


Figure 16.

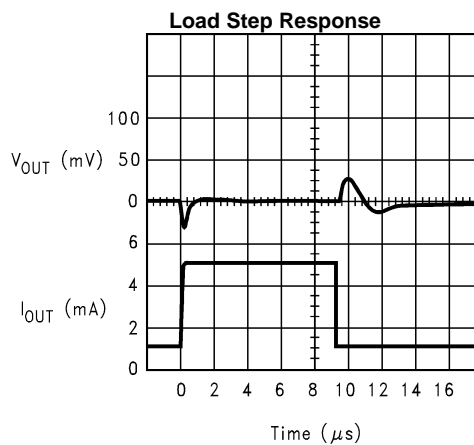


Figure 17.

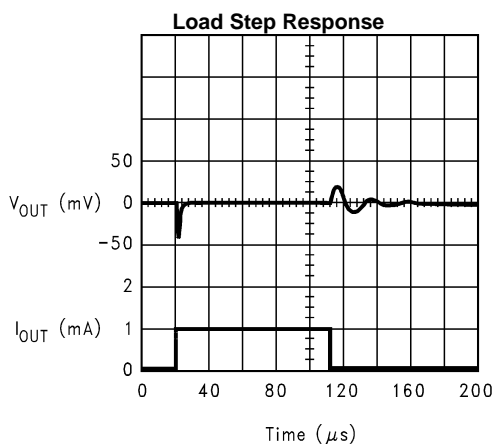


Figure 18.

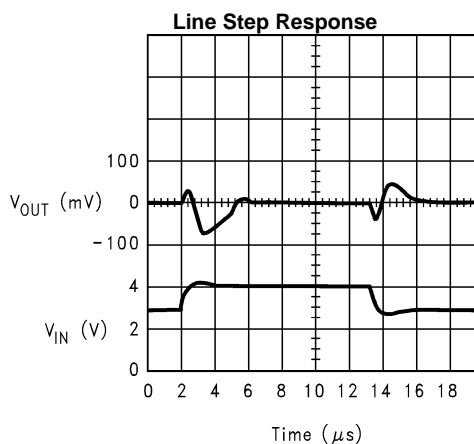
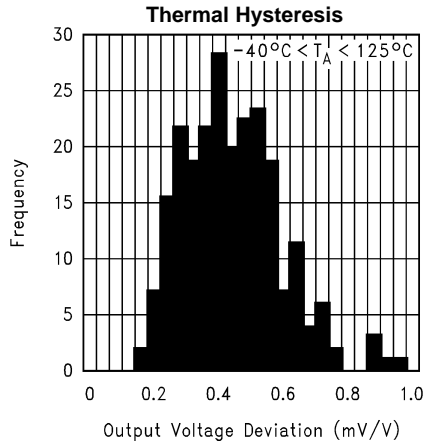


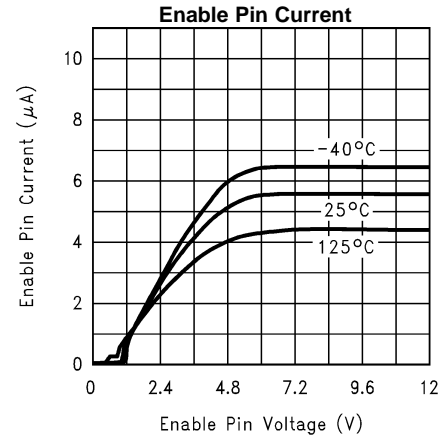
Figure 19.

**LM4120 Typical Operating Characteristics (continued)**

Unless otherwise specified,  $V_{IN} = 3.3V$ ,  $V_{OUT} = 2.5V$ ,  $I_{LOAD} = 0$ ,  $C_{OUT} = 0.022\mu F$ ,  $T_A = 25^\circ C$  and  $V_{EN} = V_{IN}$ .



**Figure 20.**



**Figure 21.**

### PIN DESCRIPTIONS

<b>Output (Pin 5)</b>	Reference Output.
<b>Input (Pin 4)</b>	Positive Supply.
<b>Ground (Pin 2)</b>	Negative Supply or Ground Connection.
<b>Enable (Pin 3)</b>	Pulled to input for normal operation. Forcing this pin to ground will turn-off the output.
<b>REF (Pin 1)</b>	REF Pin. This pin should be left unconnected.

### APPLICATION HINTS

The standard application circuit for the LM4120 is shown in [Figure 22](#). It is designed to be stable with ceramic output capacitors in the range of 0.022 $\mu$ F to 0.047 $\mu$ F. Note that 0.022 $\mu$ F is the minimum required output capacitor. These capacitors typically have an ESR of about 0.1 to 0.5 $\Omega$ . Smaller ESR can be tolerated, however larger ESR can not. The output capacitor can be increased to improve load transient response, up to about 1 $\mu$ F. However, values above 0.047 $\mu$ F must be tantalum. With tantalum capacitors, in the 1 $\mu$ F range, a small capacitor between the output and the reference pin is required. This capacitor will typically be in the 50pF range. Care must be taken when using output capacitors of 1 $\mu$ F or larger. These application must be thoroughly tested over temperature, line and load.

An input capacitor is typically not required. However, a 0.1 $\mu$ F ceramic can be used to help prevent line transients from entering the LM4120. Larger input capacitors should be tantalum or aluminium.

The reference pin is sensitive to noise, and capacitive loading. Therefore, the PCB layout should isolate this pin as much as possible.

The enable pin is an analog input with very little hysteresis. About 6 $\mu$ A into this pin is required to turn the part on, and it must be taken close to GND to turn the part off (see spec. table for thresholds). There is a *minimum* slew rate on this pin of about 0.003V/ $\mu$ S to prevent glitches on the output. All of these conditions can easily be met with ordinary CMOS or TTL logic. If the shutdown feature is not required, then this pin can safely be connected directly to the input supply. Floating this pin is not recommended.

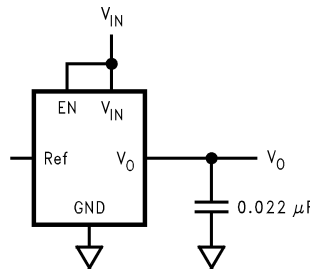


Figure 22.

### INPUT CAPACITOR

Noise on the power-supply input can effect the output noise, but can be reduced by using an optional bypass capacitor between the input pin and the ground.

### PRINTED CIRCUIT BOARD LAYOUT CONSIDERATION

The mechanical stress due to PC board mounting can cause the output voltage to shift from its initial value. References in SOT packages are generally less prone to assembly stress than devices in Small Outline (SOIC) package.

To reduce the stress-related output voltage shifts, mount the reference on the low flex areas of the PC board such as near to the edge or the corner of the PC board.

Typical Application Circuits

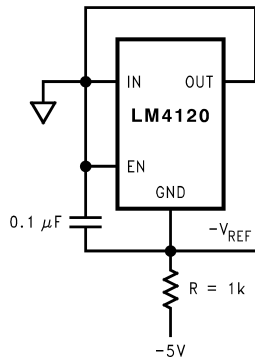


Figure 23. Voltage Reference with Negative Output

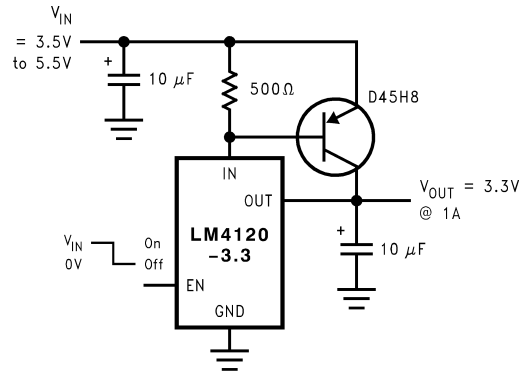


Figure 24. Precision High Current Low Dropout Regulator

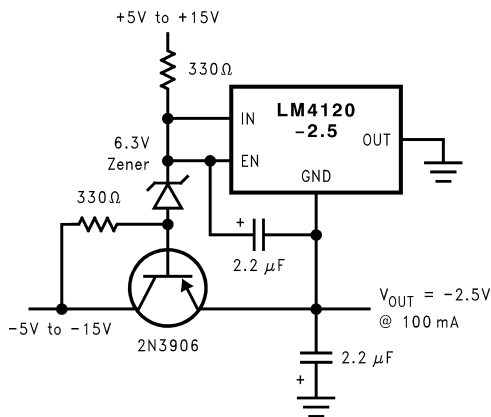


Figure 25. Precision High Current Negative Voltage Regulator

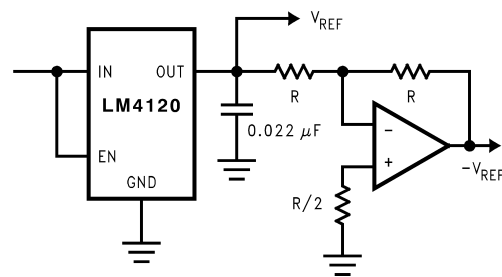


Figure 26. Voltage Reference with Complimentary Output

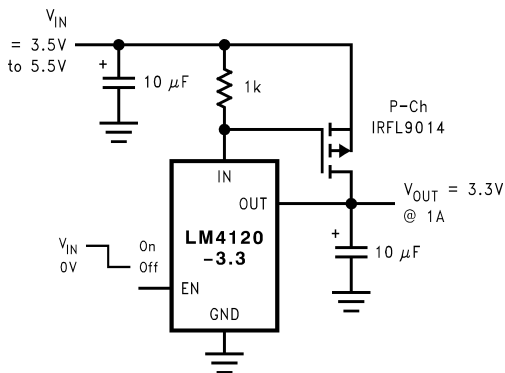


Figure 27. Precision High Current Low Dropout Regulator

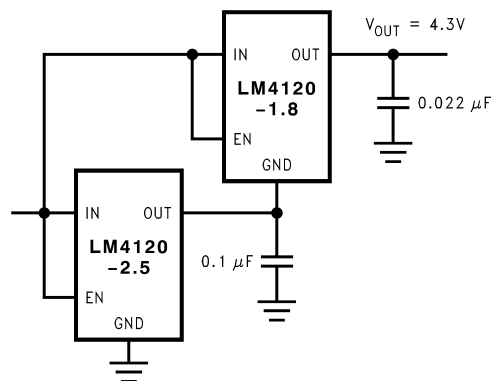


Figure 28. Stacking Voltage References

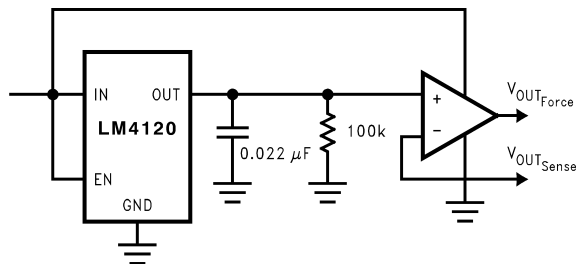
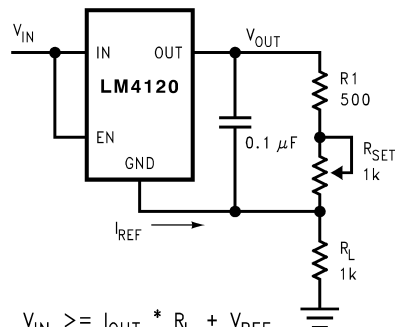


Figure 29. Precision Voltage Reference with Force and Sense Output



$$V_{IN} \geq I_{OUT} * R_L + V_{REF}$$

$$I_{OUT} = (V_{REF} / (R_1 + R_{SET})) + I_{OUT}$$

Figure 30. Programmable Current Source

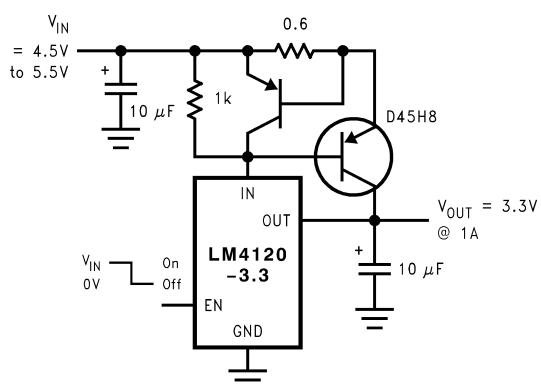


Figure 31. Precision Regulator with Current Limiting Circuit

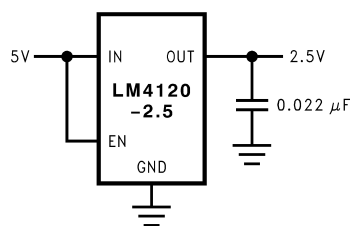


Figure 32. Power Supply Splitter

## REVISION HISTORY

Changes from Revision B (April 2013) to Revision C	Page
• Changed layout of National Data Sheet to TI format .....	<a href="#">13</a>

**PACKAGING INFORMATION**

Orderable Device	Status (1)	Package Type	Package Drawing	Pins	Package Qty	Eco Plan (2)	Lead/Ball Finish (6)	MSL Peak Temp (3)	Op Temp (°C)	Device Marking (4/5)	Samples
LM4120AIM5-1.8	NRND	SOT-23	DBV	5	1000	TBD	Call TI	Call TI	-40 to 85	R21A	
LM4120AIM5-1.8/NOPB	ACTIVE	SOT-23	DBV	5	1000	Green (RoHS & no Sb/Br)	CU SN	Level-1-260C-UNLIM	-40 to 85	R21A	<a href="#">Samples</a>
LM4120AIM5-2.0	NRND	SOT-23	DBV	5	1000	TBD	Call TI	Call TI	-40 to 85	R14A	
LM4120AIM5-2.0/NOPB	ACTIVE	SOT-23	DBV	5	1000	Green (RoHS & no Sb/Br)	CU SN	Level-1-260C-UNLIM	-40 to 85	R14A	<a href="#">Samples</a>
LM4120AIM5-2.5	NRND	SOT-23	DBV	5	1000	TBD	Call TI	Call TI	-40 to 85	R08A	
LM4120AIM5-2.5/NOPB	ACTIVE	SOT-23	DBV	5	1000	Green (RoHS & no Sb/Br)	CU SN	Level-1-260C-UNLIM	-40 to 85	R08A	<a href="#">Samples</a>
LM4120AIM5-3.0	NRND	SOT-23	DBV	5	1000	TBD	Call TI	Call TI	-40 to 85	R15A	
LM4120AIM5-3.0/NOPB	ACTIVE	SOT-23	DBV	5	1000	Green (RoHS & no Sb/Br)	CU SN	Level-1-260C-UNLIM	-40 to 85	R15A	<a href="#">Samples</a>
LM4120AIM5-3.3	NRND	SOT-23	DBV	5	1000	TBD	Call TI	Call TI	-40 to 85	R16A	
LM4120AIM5-3.3/NOPB	ACTIVE	SOT-23	DBV	5	1000	Green (RoHS & no Sb/Br)	CU SN	Level-1-260C-UNLIM	-40 to 85	R16A	<a href="#">Samples</a>
LM4120AIM5-4.1	NRND	SOT-23	DBV	5	1000	TBD	Call TI	Call TI	-40 to 85	R17A	
LM4120AIM5-4.1/NOPB	ACTIVE	SOT-23	DBV	5	1000	Green (RoHS & no Sb/Br)	CU SN	Level-1-260C-UNLIM	-40 to 85	R17A	<a href="#">Samples</a>
LM4120AIM5-5.0	NRND	SOT-23	DBV	5	1000	TBD	Call TI	Call TI	-40 to 85	R18A	
LM4120AIM5-5.0/NOPB	ACTIVE	SOT-23	DBV	5	1000	Green (RoHS & no Sb/Br)	CU SN	Level-1-260C-UNLIM	-40 to 85	R18A	<a href="#">Samples</a>
LM4120AIM5X-1.8/NOPB	ACTIVE	SOT-23	DBV	5	3000	Green (RoHS & no Sb/Br)	CU SN	Level-1-260C-UNLIM	-40 to 85	R21A	<a href="#">Samples</a>
LM4120AIM5X-2.0/NOPB	ACTIVE	SOT-23	DBV	5	3000	Green (RoHS & no Sb/Br)	CU SN	Level-1-260C-UNLIM	-40 to 85	R14A	<a href="#">Samples</a>
LM4120AIM5X-2.5/NOPB	ACTIVE	SOT-23	DBV	5	3000	Green (RoHS & no Sb/Br)	CU SN	Level-1-260C-UNLIM	-40 to 85	R08A	<a href="#">Samples</a>
LM4120AIM5X-3.0/NOPB	ACTIVE	SOT-23	DBV	5	3000	Green (RoHS & no Sb/Br)	CU SN	Level-1-260C-UNLIM	-40 to 85	R15A	<a href="#">Samples</a>
LM4120AIM5X-3.3/NOPB	ACTIVE	SOT-23	DBV	5	3000	Green (RoHS & no Sb/Br)	CU SN	Level-1-260C-UNLIM	-40 to 85	R16A	<a href="#">Samples</a>
LM4120AIM5X-4.1	NRND	SOT-23	DBV	5	3000	TBD	Call TI	Call TI	-40 to 85	R17A	

Orderable Device	Status (1)	Package Type	Package Drawing	Pins	Package Qty	Eco Plan (2)	Lead/Ball Finish (6)	MSL Peak Temp (3)	Op Temp (°C)	Device Marking (4/5)	Samples
LM4120AIM5X-4.1/NOPB	ACTIVE	SOT-23	DBV	5	3000	Green (RoHS & no Sb/Br)	CU SN	Level-1-260C-UNLIM	-40 to 85	R17A	<a href="#">Samples</a>
LM4120AIM5X-5.0/NOPB	ACTIVE	SOT-23	DBV	5	3000	Green (RoHS & no Sb/Br)	CU SN	Level-1-260C-UNLIM	-40 to 85	R18A	<a href="#">Samples</a>
LM4120IM5-1.8	NRND	SOT-23	DBV	5	1000	TBD	Call TI	Call TI	-40 to 85	R21B	
LM4120IM5-1.8/NOPB	ACTIVE	SOT-23	DBV	5	1000	Green (RoHS & no Sb/Br)	CU SN	Level-1-260C-UNLIM	-40 to 85	R21B	<a href="#">Samples</a>
LM4120IM5-2.0/NOPB	ACTIVE	SOT-23	DBV	5	1000	Green (RoHS & no Sb/Br)	CU SN	Level-1-260C-UNLIM	-40 to 85	R14B	<a href="#">Samples</a>
LM4120IM5-2.5	NRND	SOT-23	DBV	5	1000	TBD	Call TI	Call TI	-40 to 85	R08B	
LM4120IM5-2.5/NOPB	ACTIVE	SOT-23	DBV	5	1000	Green (RoHS & no Sb/Br)	CU SN	Level-1-260C-UNLIM	-40 to 85	R08B	<a href="#">Samples</a>
LM4120IM5-3.0	NRND	SOT-23	DBV	5	1000	TBD	Call TI	Call TI	-40 to 85	R15B	
LM4120IM5-3.0/NOPB	ACTIVE	SOT-23	DBV	5	1000	Green (RoHS & no Sb/Br)	CU SN	Level-1-260C-UNLIM	-40 to 85	R15B	<a href="#">Samples</a>
LM4120IM5-3.3	NRND	SOT-23	DBV	5	1000	TBD	Call TI	Call TI	-40 to 85	R16B	
LM4120IM5-3.3/NOPB	ACTIVE	SOT-23	DBV	5	1000	Green (RoHS & no Sb/Br)	CU SN	Level-1-260C-UNLIM	-40 to 85	R16B	<a href="#">Samples</a>
LM4120IM5-4.1	NRND	SOT-23	DBV	5	1000	TBD	Call TI	Call TI	-40 to 85	R17B	
LM4120IM5-4.1/NOPB	ACTIVE	SOT-23	DBV	5	1000	Green (RoHS & no Sb/Br)	CU SN	Level-1-260C-UNLIM	-40 to 85	R17B	<a href="#">Samples</a>
LM4120IM5-5.0/NOPB	ACTIVE	SOT-23	DBV	5	1000	Green (RoHS & no Sb/Br)	CU SN	Level-1-260C-UNLIM	-40 to 85	R18B	<a href="#">Samples</a>
LM4120IM5X-1.8/NOPB	ACTIVE	SOT-23	DBV	5	3000	Green (RoHS & no Sb/Br)	CU SN	Level-1-260C-UNLIM	-40 to 85	R21B	<a href="#">Samples</a>
LM4120IM5X-2.0/NOPB	ACTIVE	SOT-23	DBV	5	3000	Green (RoHS & no Sb/Br)	CU SN	Level-1-260C-UNLIM	-40 to 85	R14B	<a href="#">Samples</a>
LM4120IM5X-2.5/NOPB	ACTIVE	SOT-23	DBV	5	3000	Green (RoHS & no Sb/Br)	CU SN	Level-1-260C-UNLIM	-40 to 85	R08B	<a href="#">Samples</a>
LM4120IM5X-3.0/NOPB	ACTIVE	SOT-23	DBV	5	3000	Green (RoHS & no Sb/Br)	CU SN	Level-1-260C-UNLIM	-40 to 85	R15B	<a href="#">Samples</a>
LM4120IM5X-3.3/NOPB	ACTIVE	SOT-23	DBV	5	3000	Green (RoHS & no Sb/Br)	CU SN	Level-1-260C-UNLIM	-40 to 85	R16B	<a href="#">Samples</a>
LM4120IM5X-4.1/NOPB	ACTIVE	SOT-23	DBV	5	3000	Green (RoHS & no Sb/Br)	CU SN	Level-1-260C-UNLIM	-40 to 85	R17B	<a href="#">Samples</a>



Orderable Device	Status (1)	Package Type	Package Drawing	Pins	Package Qty	Eco Plan (2)	Lead/Ball Finish (6)	MSL Peak Temp (3)	Op Temp (°C)	Device Marking (4/5)	Samples
LM4120IM5X-5.0/NOPB	ACTIVE	SOT-23	DBV	5	3000	Green (RoHS & no Sb/Br)	CU SN	Level-1-260C-UNLIM	-40 to 85	R18B	Samples

(1) The marketing status values are defined as follows:

**ACTIVE:** Product device recommended for new designs.

**LIFEBUY:** TI has announced that the device will be discontinued, and a lifetime-buy period is in effect.

**NRND:** Not recommended for new designs. Device is in production to support existing customers, but TI does not recommend using this part in a new design.

**PREVIEW:** Device has been announced but is not in production. Samples may or may not be available.

**OBSOLETE:** TI has discontinued the production of the device.

(2) Eco Plan - The planned eco-friendly classification: Pb-Free (RoHS), Pb-Free (RoHS Exempt), or Green (RoHS & no Sb/Br) - please check <http://www.ti.com/productcontent> for the latest availability information and additional product content details.

**TBD:** The Pb-Free/Green conversion plan has not been defined.

**Pb-Free (RoHS):** TI's terms "Lead-Free" or "Pb-Free" mean semiconductor products that are compatible with the current RoHS requirements for all 6 substances, including the requirement that lead not exceed 0.1% by weight in homogeneous materials. Where designed to be soldered at high temperatures, TI Pb-Free products are suitable for use in specified lead-free processes.

**Pb-Free (RoHS Exempt):** This component has a RoHS exemption for either 1) lead-based flip-chip solder bumps used between the die and package, or 2) lead-based die adhesive used between the die and leadframe. The component is otherwise considered Pb-Free (RoHS compatible) as defined above.

**Green (RoHS & no Sb/Br):** TI defines "Green" to mean Pb-Free (RoHS compatible), and free of Bromine (Br) and Antimony (Sb) based flame retardants (Br or Sb do not exceed 0.1% by weight in homogeneous material)

(3) MSL, Peak Temp. - The Moisture Sensitivity Level rating according to the JEDEC industry standard classifications, and peak solder temperature.

(4) There may be additional marking, which relates to the logo, the lot trace code information, or the environmental category on the device.

(5) Multiple Device Markings will be inside parentheses. Only one Device Marking contained in parentheses and separated by a "~" will appear on a device. If a line is indented then it is a continuation of the previous line and the two combined represent the entire Device Marking for that device.

(6) Lead/Ball Finish - Orderable Devices may have multiple material finish options. Finish options are separated by a vertical ruled line. Lead/Ball Finish values may wrap to two lines if the finish value exceeds the maximum column width.

**Important Information and Disclaimer:** The information provided on this page represents TI's knowledge and belief as of the date that it is provided. TI bases its knowledge and belief on information provided by third parties, and makes no representation or warranty as to the accuracy of such information. Efforts are underway to better integrate information from third parties. TI has taken and continues to take reasonable steps to provide representative and accurate information but may not have conducted destructive testing or chemical analysis on incoming materials and chemicals. TI and TI suppliers consider certain information to be proprietary, and thus CAS numbers and other limited information may not be available for release.

In no event shall TI's liability arising out of such information exceed the total purchase price of the TI part(s) at issue in this document sold by TI to Customer on an annual basis.

## TAPE AND REEL INFORMATION



### QUADRANT ASSIGNMENTS FOR PIN 1 ORIENTATION IN TAPE



\*All dimensions are nominal

Device	Package Type	Package Drawing	Pins	SPQ	Reel Diameter (mm)	Reel Width W1 (mm)	A0 (mm)	B0 (mm)	K0 (mm)	P1 (mm)	W (mm)	Pin1 Quadrant
LM4120AIM5-1.8	SOT-23	DBV	5	1000	178.0	8.4	3.2	3.2	1.4	4.0	8.0	Q3
LM4120AIM5-1.8/NOPB	SOT-23	DBV	5	1000	178.0	8.4	3.2	3.2	1.4	4.0	8.0	Q3
LM4120AIM5-2.0	SOT-23	DBV	5	1000	178.0	8.4	3.2	3.2	1.4	4.0	8.0	Q3
LM4120AIM5-2.0/NOPB	SOT-23	DBV	5	1000	178.0	8.4	3.2	3.2	1.4	4.0	8.0	Q3
LM4120AIM5-2.5	SOT-23	DBV	5	1000	178.0	8.4	3.2	3.2	1.4	4.0	8.0	Q3
LM4120AIM5-2.5/NOPB	SOT-23	DBV	5	1000	178.0	8.4	3.2	3.2	1.4	4.0	8.0	Q3
LM4120AIM5-3.0	SOT-23	DBV	5	1000	178.0	8.4	3.2	3.2	1.4	4.0	8.0	Q3
LM4120AIM5-3.0/NOPB	SOT-23	DBV	5	1000	178.0	8.4	3.2	3.2	1.4	4.0	8.0	Q3
LM4120AIM5-3.3	SOT-23	DBV	5	1000	178.0	8.4	3.2	3.2	1.4	4.0	8.0	Q3
LM4120AIM5-3.3/NOPB	SOT-23	DBV	5	1000	178.0	8.4	3.2	3.2	1.4	4.0	8.0	Q3
LM4120AIM5-4.1	SOT-23	DBV	5	1000	178.0	8.4	3.2	3.2	1.4	4.0	8.0	Q3
LM4120AIM5-4.1/NOPB	SOT-23	DBV	5	1000	178.0	8.4	3.2	3.2	1.4	4.0	8.0	Q3
LM4120AIM5-5.0	SOT-23	DBV	5	1000	178.0	8.4	3.2	3.2	1.4	4.0	8.0	Q3
LM4120AIM5-5.0/NOPB	SOT-23	DBV	5	1000	178.0	8.4	3.2	3.2	1.4	4.0	8.0	Q3
LM4120AIM5X-1.8/NOPB	SOT-23	DBV	5	3000	178.0	8.4	3.2	3.2	1.4	4.0	8.0	Q3
LM4120AIM5X-2.0/NOPB	SOT-23	DBV	5	3000	178.0	8.4	3.2	3.2	1.4	4.0	8.0	Q3
LM4120AIM5X-2.5/NOPB	SOT-23	DBV	5	3000	178.0	8.4	3.2	3.2	1.4	4.0	8.0	Q3
LM4120AIM5X-3.0/NOPB	SOT-23	DBV	5	3000	178.0	8.4	3.2	3.2	1.4	4.0	8.0	Q3

Device	Package Type	Package Drawing	Pins	SPQ	Reel Diameter (mm)	Reel Width W1 (mm)	A0 (mm)	B0 (mm)	K0 (mm)	P1 (mm)	W (mm)	Pin1 Quadrant
LM4120AIM5X-3.3/NOPB	SOT-23	DBV	5	3000	178.0	8.4	3.2	3.2	1.4	4.0	8.0	Q3
LM4120AIM5X-4.1	SOT-23	DBV	5	3000	178.0	8.4	3.2	3.2	1.4	4.0	8.0	Q3
LM4120AIM5X-4.1/NOPB	SOT-23	DBV	5	3000	178.0	8.4	3.2	3.2	1.4	4.0	8.0	Q3
LM4120AIM5X-5.0/NOPB	SOT-23	DBV	5	3000	178.0	8.4	3.2	3.2	1.4	4.0	8.0	Q3
LM4120IM5-1.8	SOT-23	DBV	5	1000	178.0	8.4	3.2	3.2	1.4	4.0	8.0	Q3
LM4120IM5-1.8/NOPB	SOT-23	DBV	5	1000	178.0	8.4	3.2	3.2	1.4	4.0	8.0	Q3
LM4120IM5-2.0/NOPB	SOT-23	DBV	5	1000	178.0	8.4	3.2	3.2	1.4	4.0	8.0	Q3
LM4120IM5-2.5	SOT-23	DBV	5	1000	178.0	8.4	3.2	3.2	1.4	4.0	8.0	Q3
LM4120IM5-2.5/NOPB	SOT-23	DBV	5	1000	178.0	8.4	3.2	3.2	1.4	4.0	8.0	Q3
LM4120IM5-3.0	SOT-23	DBV	5	1000	178.0	8.4	3.2	3.2	1.4	4.0	8.0	Q3
LM4120IM5-3.0/NOPB	SOT-23	DBV	5	1000	178.0	8.4	3.2	3.2	1.4	4.0	8.0	Q3
LM4120IM5-3.3	SOT-23	DBV	5	1000	178.0	8.4	3.2	3.2	1.4	4.0	8.0	Q3
LM4120IM5-3.3/NOPB	SOT-23	DBV	5	1000	178.0	8.4	3.2	3.2	1.4	4.0	8.0	Q3
LM4120IM5-4.1	SOT-23	DBV	5	1000	178.0	8.4	3.2	3.2	1.4	4.0	8.0	Q3
LM4120IM5-4.1/NOPB	SOT-23	DBV	5	1000	178.0	8.4	3.2	3.2	1.4	4.0	8.0	Q3
LM4120IM5-5.0/NOPB	SOT-23	DBV	5	1000	178.0	8.4	3.2	3.2	1.4	4.0	8.0	Q3
LM4120IM5X-1.8/NOPB	SOT-23	DBV	5	3000	178.0	8.4	3.2	3.2	1.4	4.0	8.0	Q3
LM4120IM5X-2.0/NOPB	SOT-23	DBV	5	3000	178.0	8.4	3.2	3.2	1.4	4.0	8.0	Q3
LM4120IM5X-2.5/NOPB	SOT-23	DBV	5	3000	178.0	8.4	3.2	3.2	1.4	4.0	8.0	Q3
LM4120IM5X-3.0/NOPB	SOT-23	DBV	5	3000	178.0	8.4	3.2	3.2	1.4	4.0	8.0	Q3
LM4120IM5X-3.3/NOPB	SOT-23	DBV	5	3000	178.0	8.4	3.2	3.2	1.4	4.0	8.0	Q3
LM4120IM5X-4.1/NOPB	SOT-23	DBV	5	3000	178.0	8.4	3.2	3.2	1.4	4.0	8.0	Q3
LM4120IM5X-5.0/NOPB	SOT-23	DBV	5	3000	178.0	8.4	3.2	3.2	1.4	4.0	8.0	Q3

**TAPE AND REEL BOX DIMENSIONS**


\*All dimensions are nominal

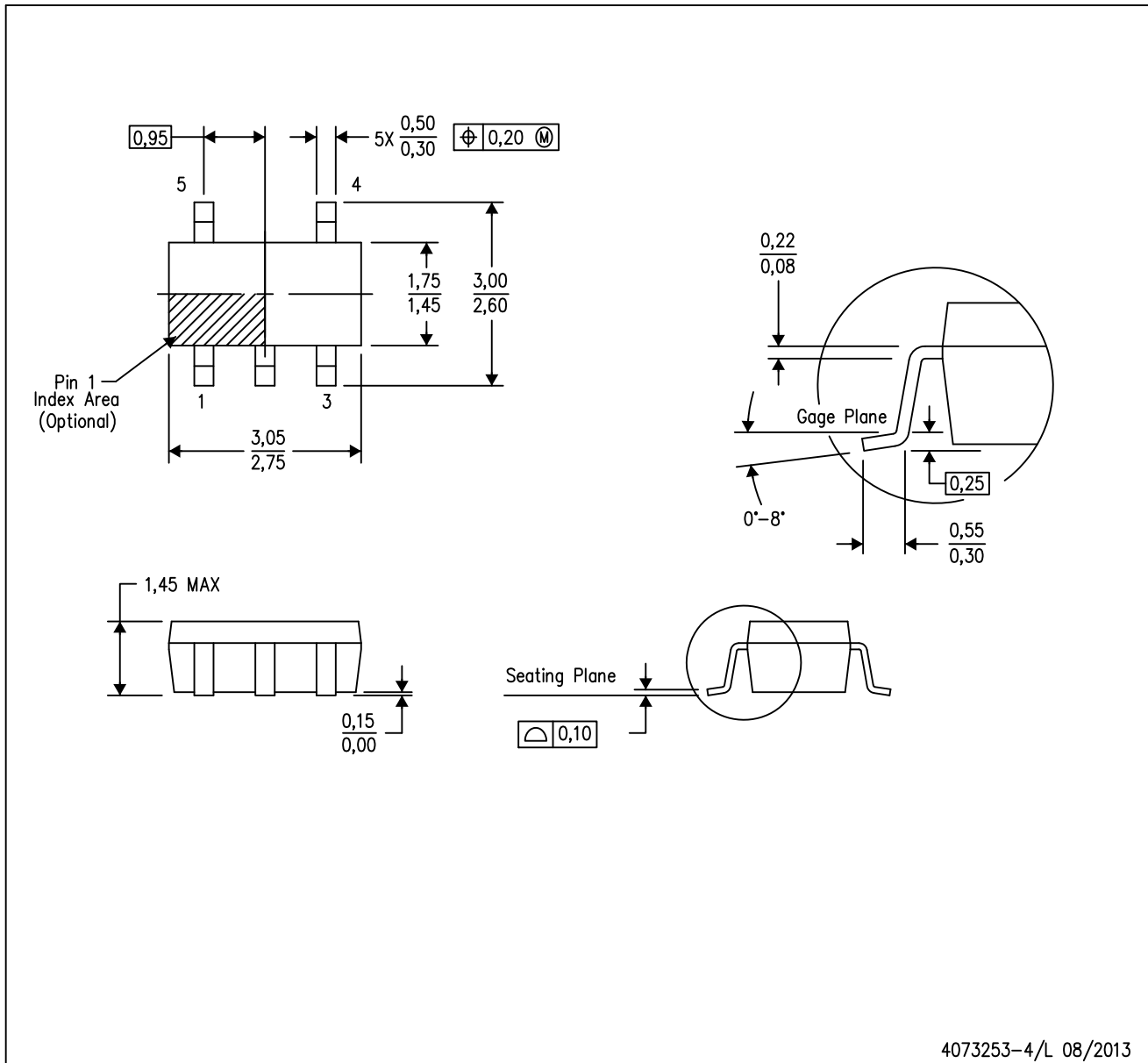
Device	Package Type	Package Drawing	Pins	SPQ	Length (mm)	Width (mm)	Height (mm)
LM4120AIM5-1.8	SOT-23	DBV	5	1000	210.0	185.0	35.0
LM4120AIM5-1.8/NOPB	SOT-23	DBV	5	1000	210.0	185.0	35.0
LM4120AIM5-2.0	SOT-23	DBV	5	1000	210.0	185.0	35.0
LM4120AIM5-2.0/NOPB	SOT-23	DBV	5	1000	210.0	185.0	35.0
LM4120AIM5-2.5	SOT-23	DBV	5	1000	210.0	185.0	35.0
LM4120AIM5-2.5/NOPB	SOT-23	DBV	5	1000	210.0	185.0	35.0
LM4120AIM5-3.0	SOT-23	DBV	5	1000	210.0	185.0	35.0
LM4120AIM5-3.0/NOPB	SOT-23	DBV	5	1000	210.0	185.0	35.0
LM4120AIM5-3.3	SOT-23	DBV	5	1000	210.0	185.0	35.0
LM4120AIM5-3.3/NOPB	SOT-23	DBV	5	1000	210.0	185.0	35.0
LM4120AIM5-4.1	SOT-23	DBV	5	1000	210.0	185.0	35.0
LM4120AIM5-4.1/NOPB	SOT-23	DBV	5	1000	210.0	185.0	35.0
LM4120AIM5-5.0	SOT-23	DBV	5	1000	210.0	185.0	35.0
LM4120AIM5-5.0/NOPB	SOT-23	DBV	5	1000	210.0	185.0	35.0
LM4120AIM5X-1.8/NOPB	SOT-23	DBV	5	3000	210.0	185.0	35.0
LM4120AIM5X-2.0/NOPB	SOT-23	DBV	5	3000	210.0	185.0	35.0
LM4120AIM5X-2.5/NOPB	SOT-23	DBV	5	3000	210.0	185.0	35.0
LM4120AIM5X-3.0/NOPB	SOT-23	DBV	5	3000	210.0	185.0	35.0
LM4120AIM5X-3.3/NOPB	SOT-23	DBV	5	3000	210.0	185.0	35.0
LM4120AIM5X-4.1	SOT-23	DBV	5	3000	210.0	185.0	35.0

Device	Package Type	Package Drawing	Pins	SPQ	Length (mm)	Width (mm)	Height (mm)
LM4120AIM5X-4.1/NOPB	SOT-23	DBV	5	3000	210.0	185.0	35.0
LM4120AIM5X-5.0/NOPB	SOT-23	DBV	5	3000	210.0	185.0	35.0
LM4120IM5-1.8	SOT-23	DBV	5	1000	210.0	185.0	35.0
LM4120IM5-1.8/NOPB	SOT-23	DBV	5	1000	210.0	185.0	35.0
LM4120IM5-2.0/NOPB	SOT-23	DBV	5	1000	210.0	185.0	35.0
LM4120IM5-2.5	SOT-23	DBV	5	1000	210.0	185.0	35.0
LM4120IM5-2.5/NOPB	SOT-23	DBV	5	1000	210.0	185.0	35.0
LM4120IM5-3.0	SOT-23	DBV	5	1000	210.0	185.0	35.0
LM4120IM5-3.0/NOPB	SOT-23	DBV	5	1000	210.0	185.0	35.0
LM4120IM5-3.3	SOT-23	DBV	5	1000	210.0	185.0	35.0
LM4120IM5-3.3/NOPB	SOT-23	DBV	5	1000	210.0	185.0	35.0
LM4120IM5-4.1	SOT-23	DBV	5	1000	210.0	185.0	35.0
LM4120IM5-4.1/NOPB	SOT-23	DBV	5	1000	210.0	185.0	35.0
LM4120IM5-5.0/NOPB	SOT-23	DBV	5	1000	210.0	185.0	35.0
LM4120IM5X-1.8/NOPB	SOT-23	DBV	5	3000	210.0	185.0	35.0
LM4120IM5X-2.0/NOPB	SOT-23	DBV	5	3000	210.0	185.0	35.0
LM4120IM5X-2.5/NOPB	SOT-23	DBV	5	3000	210.0	185.0	35.0
LM4120IM5X-3.0/NOPB	SOT-23	DBV	5	3000	210.0	185.0	35.0
LM4120IM5X-3.3/NOPB	SOT-23	DBV	5	3000	210.0	185.0	35.0
LM4120IM5X-4.1/NOPB	SOT-23	DBV	5	3000	210.0	185.0	35.0
LM4120IM5X-5.0/NOPB	SOT-23	DBV	5	3000	210.0	185.0	35.0

# MECHANICAL DATA

DBV (R-PDSO-G5)

PLASTIC SMALL-OUTLINE PACKAGE



- NOTES:
- A. All linear dimensions are in millimeters.
  - B. This drawing is subject to change without notice.
  - C. Body dimensions do not include mold flash or protrusion. Mold flash and protrusion shall not exceed 0.15 per side.
  - D. Falls within JEDEC MO-178 Variation AA.

DBV (R-PDSO-G5)

PLASTIC SMALL OUTLINE



- NOTES:
- A. All linear dimensions are in millimeters.
  - B. This drawing is subject to change without notice.
  - C. Customers should place a note on the circuit board fabrication drawing not to alter the center solder mask defined pad.
  - D. Publication IPC-7351 is recommended for alternate designs.
  - E. Laser cutting apertures with trapezoidal walls and also rounding corners will offer better paste release. Customers should contact their board assembly site for stencil design recommendations. Example stencil design based on a 50% volumetric metal load solder paste. Refer to IPC-7525 for other stencil recommendations.

## IMPORTANT NOTICE

Texas Instruments Incorporated and its subsidiaries (TI) reserve the right to make corrections, enhancements, improvements and other changes to its semiconductor products and services per JESD46, latest issue, and to discontinue any product or service per JESD48, latest issue. Buyers should obtain the latest relevant information before placing orders and should verify that such information is current and complete. All semiconductor products (also referred to herein as "components") are sold subject to TI's terms and conditions of sale supplied at the time of order acknowledgment.

TI warrants performance of its components to the specifications applicable at the time of sale, in accordance with the warranty in TI's terms and conditions of sale of semiconductor products. Testing and other quality control techniques are used to the extent TI deems necessary to support this warranty. Except where mandated by applicable law, testing of all parameters of each component is not necessarily performed.

TI assumes no liability for applications assistance or the design of Buyers' products. Buyers are responsible for their products and applications using TI components. To minimize the risks associated with Buyers' products and applications, Buyers should provide adequate design and operating safeguards.

TI does not warrant or represent that any license, either express or implied, is granted under any patent right, copyright, mask work right, or other intellectual property right relating to any combination, machine, or process in which TI components or services are used. Information published by TI regarding third-party products or services does not constitute a license to use such products or services or a warranty or endorsement thereof. Use of such information may require a license from a third party under the patents or other intellectual property of the third party, or a license from TI under the patents or other intellectual property of TI.

Reproduction of significant portions of TI information in TI data books or data sheets is permissible only if reproduction is without alteration and is accompanied by all associated warranties, conditions, limitations, and notices. TI is not responsible or liable for such altered documentation. Information of third parties may be subject to additional restrictions.

Resale of TI components or services with statements different from or beyond the parameters stated by TI for that component or service voids all express and any implied warranties for the associated TI component or service and is an unfair and deceptive business practice. TI is not responsible or liable for any such statements.

Buyer acknowledges and agrees that it is solely responsible for compliance with all legal, regulatory and safety-related requirements concerning its products, and any use of TI components in its applications, notwithstanding any applications-related information or support that may be provided by TI. Buyer represents and agrees that it has all the necessary expertise to create and implement safeguards which anticipate dangerous consequences of failures, monitor failures and their consequences, lessen the likelihood of failures that might cause harm and take appropriate remedial actions. Buyer will fully indemnify TI and its representatives against any damages arising out of the use of any TI components in safety-critical applications.

In some cases, TI components may be promoted specifically to facilitate safety-related applications. With such components, TI's goal is to help enable customers to design and create their own end-product solutions that meet applicable functional safety standards and requirements. Nonetheless, such components are subject to these terms.

No TI components are authorized for use in FDA Class III (or similar life-critical medical equipment) unless authorized officers of the parties have executed a special agreement specifically governing such use.

Only those TI components which TI has specifically designated as military grade or "enhanced plastic" are designed and intended for use in military/aerospace applications or environments. Buyer acknowledges and agrees that any military or aerospace use of TI components which have **not** been so designated is solely at the Buyer's risk, and that Buyer is solely responsible for compliance with all legal and regulatory requirements in connection with such use.

TI has specifically designated certain components as meeting ISO/TS16949 requirements, mainly for automotive use. In any case of use of non-designated products, TI will not be responsible for any failure to meet ISO/TS16949.

### Products

Audio	<a href="http://www.ti.com/audio">www.ti.com/audio</a>
Amplifiers	<a href="http://amplifier.ti.com">amplifier.ti.com</a>
Data Converters	<a href="http://dataconverter.ti.com">dataconverter.ti.com</a>
DLP® Products	<a href="http://www.dlp.com">www.dlp.com</a>
DSP	<a href="http://dsp.ti.com">dsp.ti.com</a>
Clocks and Timers	<a href="http://www.ti.com/clocks">www.ti.com/clocks</a>
Interface	<a href="http://interface.ti.com">interface.ti.com</a>
Logic	<a href="http://logic.ti.com">logic.ti.com</a>
Power Mgmt	<a href="http://power.ti.com">power.ti.com</a>
Microcontrollers	<a href="http://microcontroller.ti.com">microcontroller.ti.com</a>
RFID	<a href="http://www.ti-rfid.com">www.ti-rfid.com</a>
OMAP Applications Processors	<a href="http://www.ti.com/omap">www.ti.com/omap</a>
Wireless Connectivity	<a href="http://www.ti.com/wirelessconnectivity">www.ti.com/wirelessconnectivity</a>

### Applications

Automotive and Transportation	<a href="http://www.ti.com/automotive">www.ti.com/automotive</a>
Communications and Telecom	<a href="http://www.ti.com/communications">www.ti.com/communications</a>
Computers and Peripherals	<a href="http://www.ti.com/computers">www.ti.com/computers</a>
Consumer Electronics	<a href="http://www.ti.com/consumer-apps">www.ti.com/consumer-apps</a>
Energy and Lighting	<a href="http://www.ti.com/energy">www.ti.com/energy</a>
Industrial	<a href="http://www.ti.com/industrial">www.ti.com/industrial</a>
Medical	<a href="http://www.ti.com/medical">www.ti.com/medical</a>
Security	<a href="http://www.ti.com/security">www.ti.com/security</a>
Space, Avionics and Defense	<a href="http://www.ti.com/space-avionics-defense">www.ti.com/space-avionics-defense</a>
Video and Imaging	<a href="http://www.ti.com/video">www.ti.com/video</a>

### TI E2E Community

[e2e.ti.com](http://e2e.ti.com)