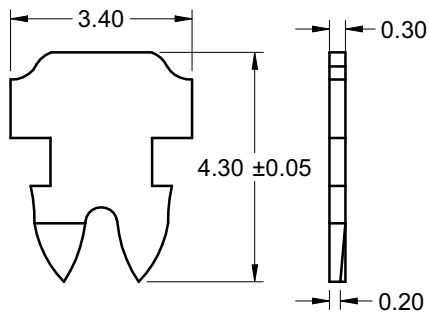
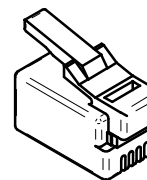
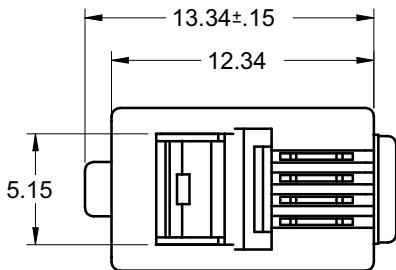
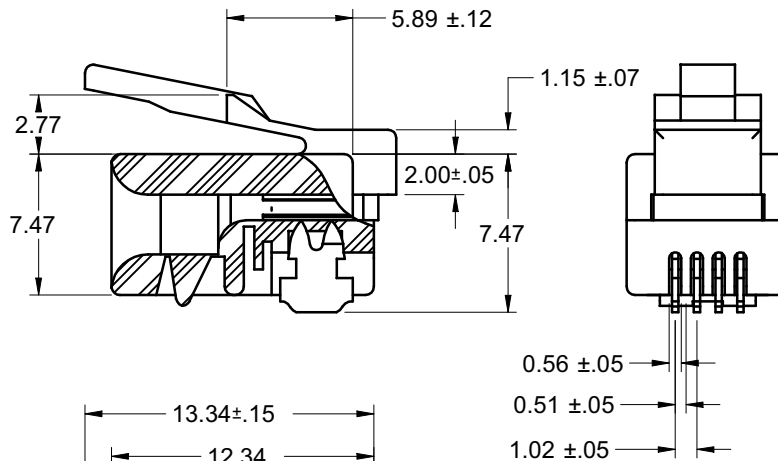
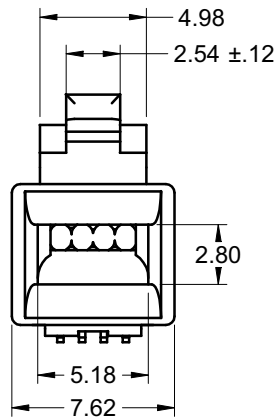
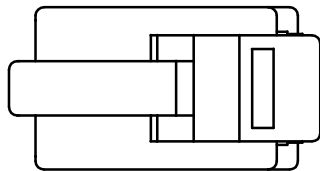


<b>受控 CONTROLLED DOCUMENT</b>					
编号 P/N	32-5964UL	版本 Rev	01	日期 Rel'd Date	SEP 14,09

DRAWING NO. 32-5964UL					
REVISIONS					
01	OFFICIAL RELEASE	Y	T	T	2009-09-04
	08-20-09	U	W		Betty 08-14-26 +08'00



NOTES:

1. ELECTRICAL SPECIFICATIONS

INSULATION RESISTANCE: 1000 MEGOHMS  
WITHSTAND VOLTAGE: 1000V,AC/ MINUTE

2. MECHANICAL SPECIFICATIONS

CONTACT MATERIAL: PHOSPHOR BRONZE 0.3MM THICKNESS  
CONTACT PLATING: 50 MICRO-INCH GOLD PLATE OVER 100  
MICRO-INCH NICKEL PLATING  
HOUSING MATERIAL: POLYCARBONATE  
DURABILITY: 1000 CYCLES MIN  
UL FLAMABILY RATING: 94-V0

3. ENVIRONMENTAL SPECIFICATIONS

TEMPERATURE RANGE: -40 °C TO +70 °C

4. FOR SOLID OR STRANDED WIRE APPLICATIONS

5. FOR FLAT OVAL OR ROUND CABLE

THIS DRAWING TO BE INTERPRETED  
PER ANSI Y 14.5M - 1994

**COMPANY CONFIDENTIAL**

TOLERANCE UNLESS OTHERWISE SPECIFIED		DRAWN BY	DATE
DECIMALS	mm	BETTY.YU	08-20-09
X	± 0.5	CHECKED BY	DATE
X.X	± 0.15	TERRY.W	08-20-09
X.XX	± 0.10	APPROVED BY	DATE
ANGLES	± 0.5°	THOMAS	08-20-09
		U/M:	mm
THIS DRAWING WAS PRODUCED BY COMPUTER, DO NOT SCALE DRAWING OR UPDATE MANUALLY.			

<b>EMERSON</b> Network Power		<b>Connectivity Solutions</b>	
TITLE RJ11 MOD PLUG 50°U,STR,RND CBL			
SHEET 1 OF 1	DRAWING NO. 32-5964UL	SIZE C	