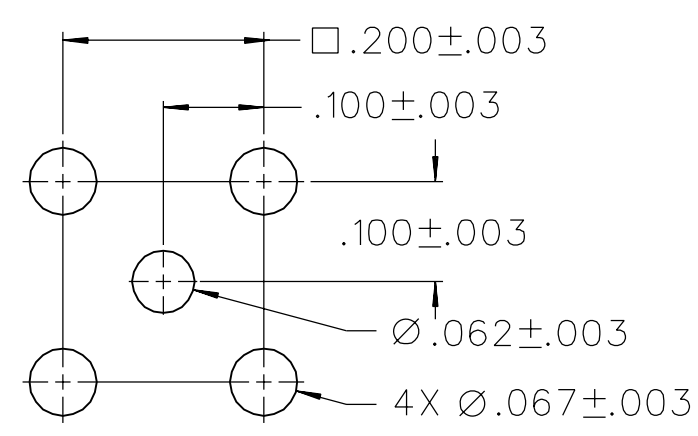
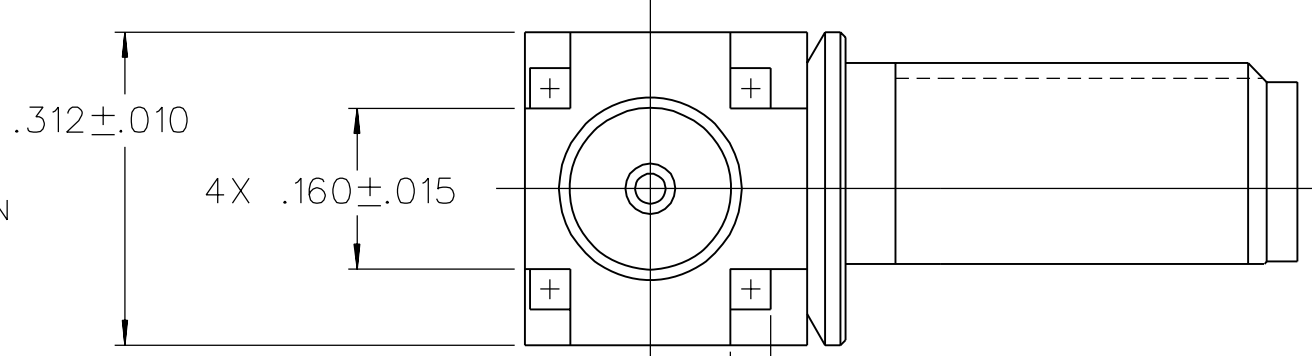
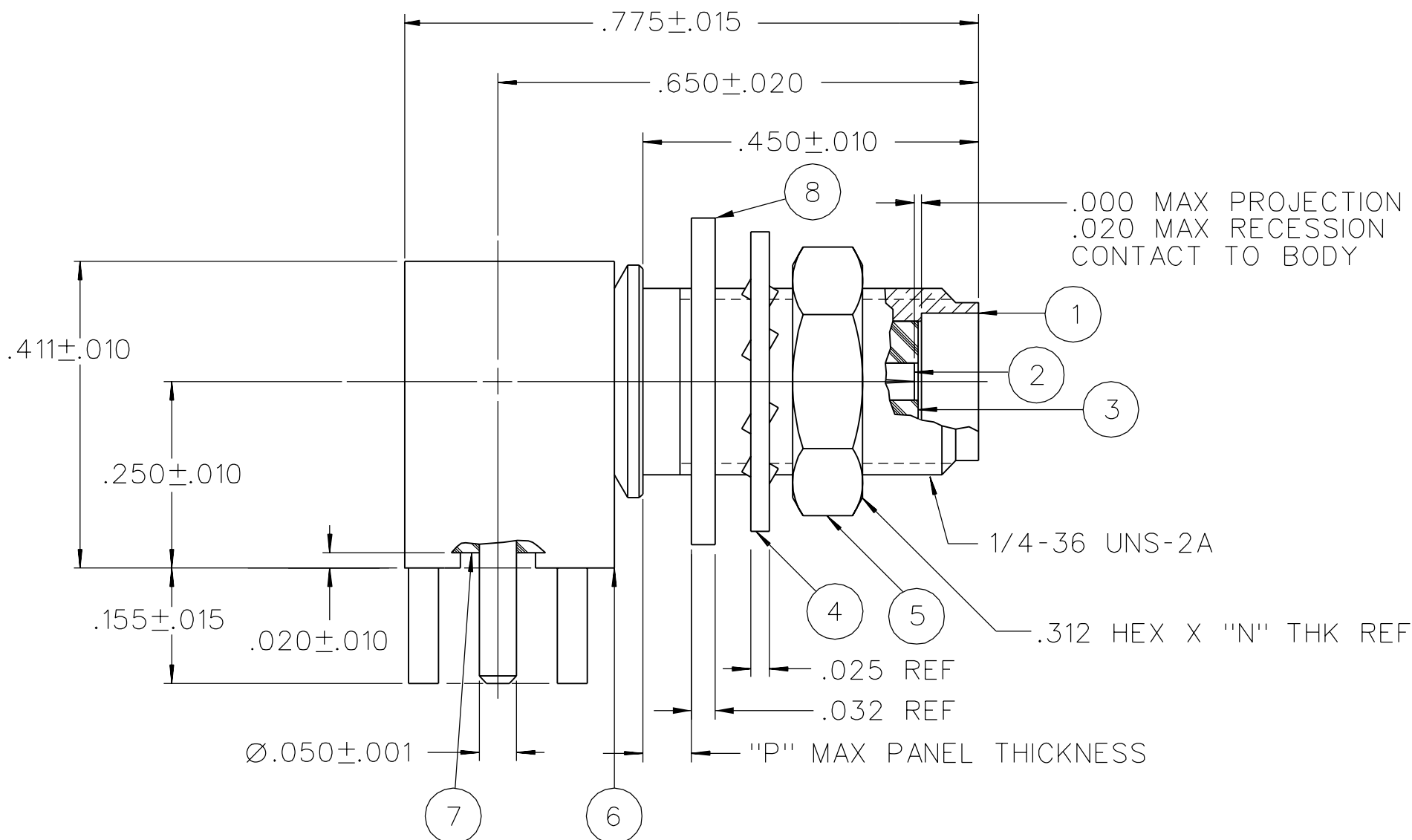
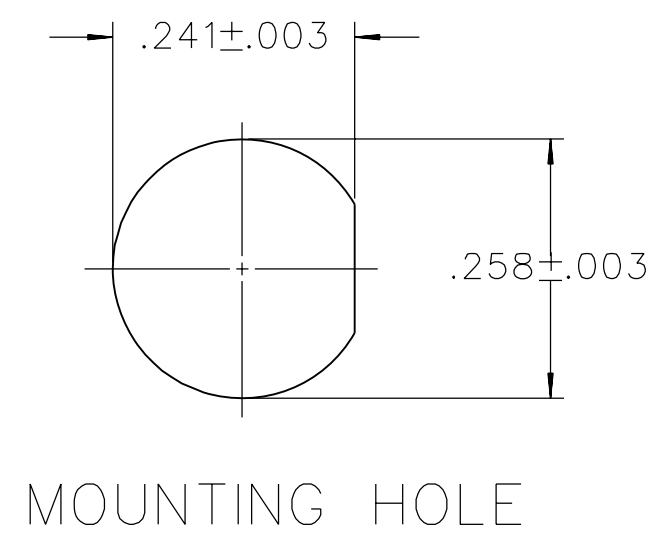


| PART NUMBER | ITEM ① BODY | ITEM ② CONTACT (ONE PIECE) | ITEM ③ BODY INSULATOR | ITEM ④ LOCK WASHER | ITEM ⑤ NUT | ITEM ⑥ BASE | ITEM ⑦ BASE INSULATOR | ITEM ⑧ FLAT WASHER | "N" | "P" |
|--------------|--|--|--------------------------|---|--|--|--------------------------|--|------|------|
| 142-0701-501 | BRASS GOLD PL .00001 MIN OVER NICKEL PL .0001 MIN OVER COPPER PL .00005 MIN | BERYLLIUM COPPER GOLD PL .00005 MIN OVER NICKEL PL .00005 MIN OVER COPPER PL .00005 MIN | TEFLON | BRONZE GOLD PL .00001 MIN OVER NICKEL PL .0001 MIN OVER COPPER PL .00005 MIN | BRASS GOLD PL .00001 MIN OVER NICKEL PL .0001 MIN OVER COPPER PL .00005 MIN | BRASS GOLD PL .00001 MIN OVER NICKEL PL .0001 MIN OVER COPPER PL .00005 MIN | TEFLON | | .094 | .109 |
| 142-0701-502 | BRASS GOLD PL .00001 MIN OVER NICKEL PL .0001 MIN OVER COPPER PL .00005 MIN | BERYLLIUM COPPER GOLD PL .00005 MIN OVER NICKEL PL .00005 MIN OVER COPPER PL .00005 MIN | TEFLON | | | BRASS GOLD PL .00001 MIN OVER NICKEL PL .0001 MIN OVER COPPER PL .00005 MIN | TEFLON | | .094 | .109 |
| 142-0701-503 | BRASS GOLD PL .00001 MIN OVER NICKEL PL .0001 MIN OVER COPPER PL .00005 MIN | BERYLLIUM COPPER GOLD PL .00005 MIN OVER NICKEL PL .00005 MIN OVER COPPER PL .00005 MIN | TEFLON | | BRASS GOLD PL .00001 MIN OVER NICKEL PL .0001 MIN OVER COPPER PL .00005 MIN | BRASS GOLD PL .00001 MIN OVER NICKEL PL .0001 MIN OVER COPPER PL .00005 MIN | TEFLON | BRASS GOLD PL .00001 MIN OVER NICKEL PL .0001 MIN OVER COPPER PL .00005 MIN | .063 | .125 |
| 142-0701-506 | BRASS NICKEL PL .0001 MIN OVER COPPER PL .00005 MIN | BERYLLIUM COPPER GOLD PL .00005 MIN OVER NICKEL PL .00005 MIN OVER COPPER PL .00005 MIN | TEFLON | BRONZE NICKEL PL .0001 MIN OVER COPPER PL .00005 MIN | BRASS NICKEL PL .0001 MIN OVER COPPER PL .00005 MIN | BRASS NICKEL PL .0001 MIN OVER COPPER PL .00005 MIN | TEFLON | | .094 | .109 |
| 142-0701-507 | BRASS NICKEL PL .0001 MIN OVER COPPER PL .00005 MIN | BERYLLIUM COPPER GOLD PL .00005 MIN OVER NICKEL PL .00005 MIN OVER COPPER PL .00005 MIN | TEFLON | | BRASS NICKEL PL .0001 MIN OVER COPPER PL .00005 MIN | BRASS NICKEL PL .0001 MIN OVER COPPER PL .00005 MIN | TEFLON | BRASS NICKEL PL .0001 MIN OVER COPPER PL .00005 MIN | .063 | .125 |
| 142-0701-508 | BRASS NICKEL PL .0001 MIN OVER COPPER PL .00005 MIN | BERYLLIUM COPPER GOLD PL .00005 MIN OVER NICKEL PL .00005 MIN OVER COPPER PL .00005 MIN | TEFLON | BRONZE NICKEL PL .0001 MIN OVER COPPER PL .00005 MIN | BRASS NICKEL PL .0001 MIN OVER COPPER PL .00005 MIN | BRASS NICKEL PL .0001 MIN OVER COPPER PL .00005 MIN | TEFLON | BRASS NICKEL PL .0001 MIN OVER COPPER PL .00005 MIN | .094 | .072 |

| | |
|--|--|
| DRAWING NO. C - 142-0701-501/510 | |
| 0 REVISIONS | |
| WAS P/N 030-3362-579 ENGINEERING RELEASE | |
| 01 | 03-15-89 [E][J][R][J][A][W] 04-12-89 [E][C]O 23895 |
| VERSION UPDATE. | |
| 02 | 09-14-89 [E][J][R][J][A][W] 09-19-89 [E][C]O 24146 |
| VERSION UPDATE. | |
| 03 | 09-14-89 [E][J][R][J][A][W] 10-25-89 [E][C]O 24177 |
| VERSION UPDATE. | |
| 4 | 9-6-91 [R][H][R][J][P][A][H] 10-11-9 [E][C]O 40551 |
| CHANGED: .775+- .015 WAS .837+- .015, .312+- .010 WAS DIA .375+- .010, 4X .040+- .003 WAS 4X .040+- .003, RF HIGH POT 4 AND 7 MHZ WAS 5 MHZ | |
| 5 | 9-29-92 [R][H][R][J][P][A][H] 10-6-92 [E][C]N 41206 |
| CHANGED: .411+- .010 WAS .406+- .010 | |
| 6 | 9-14-94 [R][H][R][J][P][A][H] 9-27-94 [E][C]N 46271 |
| ADDED: P/N 142-0701-502 | |
| 6a | 2-17-97 [R][H][R][J][P][A][H] [E][C]N 44649 |
| CHANGED: ITEM 4 LOCKWASHER BRONZE WAS BRASS, .094 THK REF WAS .063 THK REF, .025 REF WAS .032 REF, .109 MAX PANEL THICKNESS WAS .125 MAX PANEL THICKNESS, UPDATED GRAPHICS | |
| 7 | 12-4-02 [R][H][R][J][P][A][H] [E][C]N 47942 |
| ADDED: P/N 142-0701-503, TABULATED DIMENSIONS "N", "P" & "W" | |
| ***** * REVISION NUMBER FOLLOWED BY AN ALPHA * * CHARACTER INDICATES DRAWING CLARIFICATION OR PART NUMBER ADDITION ONLY. * | |
| 7a | 5-8-03 [R][H][R][J][P][A][H] [E][C]N 48803 |
| ADDED: P/N 142-0701-507 | |
| ***** * REVISION NUMBER FOLLOWED BY AN ALPHA * * CHARACTER INDICATES DRAWING CLARIFICATION OR PART NUMBER ADDITION ONLY. * | |
| 7b | 12-3-03 [R][H][R][J][P][A][H] 12-15-03 [E][C]N 49089 |
| ADDED: P/N 142-0701-508 | |
| ***** * REVISION NUMBER FOLLOWED BY AN ALPHA * * CHARACTER INDICATES DRAWING CLARIFICATION OR PART NUMBER ADDITION ONLY. * | |
| 7c | 10-21-04 [R][H][R][J][P][A][H] 11-2-04 [E][C]N 49495 |



NOTES:

1. SPECIFICATIONS:

IMPEDANCE: 50 OHMS
 FREQUENCY RANGE: 0-18 GHZ
 VSWR: NOT APPLICABLE
 WORKING VOLTAGE: 335 VRMS MAX AT SEA LEVEL
 DIELECTRIC WITHSTANDING VOLTAGE: 1000 VRMS MIN AT SEA LEVEL
 INSULATION RESISTANCE: 5000 MEGOHM MIN
 CONTACT RESISTANCE:
 CENTER CONTACT - INITIAL 3.0 MILLIOHM MAX, AFTER ENVIRONMENTAL 4.0 MILLIOHM MAX
 OUTER CONDUCTOR - INITIAL 2.0 MILLIOHM MAX AFTER ENVIRONMENTAL NOT APPLICABLE
 BRAID TO BODY - NOT APPLICABLE
 CORONA LEVEL: 250 VOLTS MIN AT 70,000 FEET
 INSERTION LOSS: NOT APPLICABLE
 RF LEAKAGE: NOT APPLICABLE
 RF HIGH POTENTIAL WITHSTANDING VOLTAGE: 670 VRMS AT 4 AND 7 MHZ MIN

MECHANICAL:

ENGAGE/DISENGAGE TORQUE: 2 INCH-POUNDS MAX
 MATING TORQUE: 7-10 INCH POUNDS
 COUPLING PROOF TORQUE: NOT APPLICABLE
 COUPLING NUT RETENTION: NOT APPLICABLE
 CONTACT RETENTION: 6 LBS MIN AXIAL FORCE
 CABLE ACCEPTABILITY: NOT APPLICABLE
 CABLE HEX CRIMP SIZE: NOT APPLICABLE
 CABLE RETENTION: NOT APPLICABLE
 DURABILITY: 500 CYCLES MIN

ENVIRONMENTAL:

(MEETS OR EXCEEDS THE APPLICABLE PARAGRAPH OF MIL-PRF-39012)
 THERMAL SHOCK: MIL-STD-202, METHOD 107, CONDITION B
 OPERATING TEMPERATURE: -65 DEG C TO 165 DEG C
 CORROSION: MIL-STD-202, METHOD 101, CONDITION B
 SHOCK: MIL-STD-202, METHOD 213, CONDITION I
 VIBRATION: MIL-STD-202, METHOD 204, CONDITION D
 MOISTURE RESISTANCE: MIL STD 202, METHOD 106

| | | | |
|--------------------------------------|----|--------------------|-----------------|
| TOLERANCE UNLESS OTHERWISE SPECIFIED | | DRAWN BY Bedney | DATE 3-1-89 |
| DECIMALS | mm | CHECKED BY | DATE |
| .XX | | APPROVED BY RJB | DATE 3-15-89 |
| .XXX | | RELEASE DATE | 10-25-89 |
| MATL | | U/M | INCH |
| FINISH | | SCALE | 5:1 |

Connectivity Solutions
 P.O. Box 1732
 Waseca, MN 56093
 1-800-247-8256

EMERSON
 Network Power

TITLE
 JACK ASSEMBLY,
 RA PC MOUNT BULKHEAD
 SMA

SHEET
 2 OF 2

DRAWING NO.
 C - 142-0701-501/510

CUSTOMER DRAWING

THIS DRAWING TO BE INTERPRETED PER ASME Y 14.5M - 1994

"μSTATION"

COMPANY CONFIDENTIAL