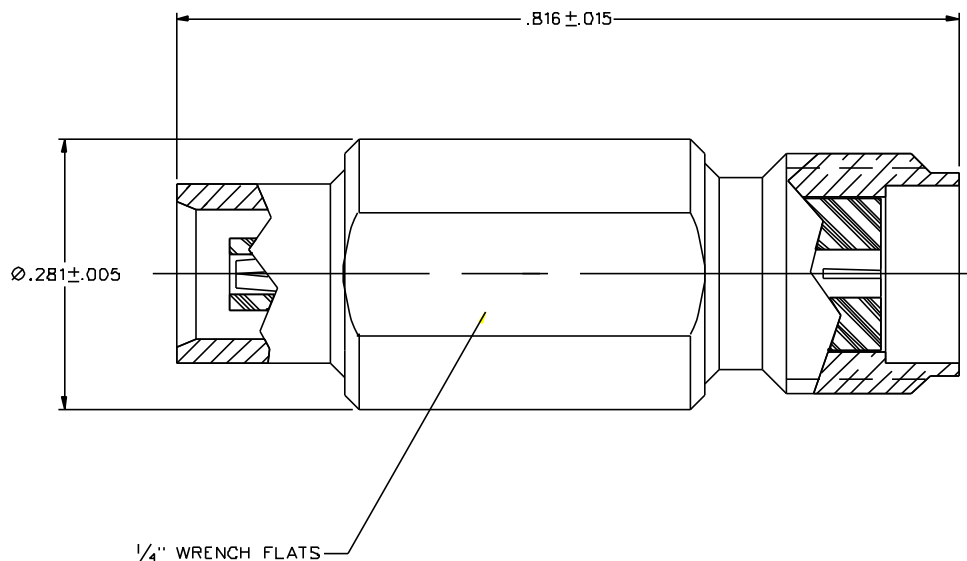


PART NUMBER	ITEM ① BODY	ITEM ② CONTACT	ITEM ③ INSULATOR
134-1018-021	BRASS GOLD PL .00001 MIN OVER NICKEL PL .00005 MIN OVER COPPER PL .00005 MIN	BERYLLIUM COPPER GOLD PL .00005 MIN OVER NICKEL PL .00005 MIN OVER COPPER PL .00005 MIN	TEFLON

DRAWING NO. C - 134-1018-021/030			
0	REVISIONS		
ENGINEERING RELEASE			
1	9-22-98	RH	ECN 45839



NOTES:

1. SPECIFICATIONS:

IMPEDANCE: 50 OHMS  
 FREQUENCY RANGE: 0-6 GHz  
 VSWR: 1.03-.03F MAX (F IN GHz)  
 WORKING VOLTAGE: 335 VRMS MAX AT SEA LEVEL  
 DIELECTRIC WITHSTANDING VOLTAGE: 1000 VRMS MIN AT SEA LEVEL  
 INSULATION RESISTANCE: 10000 MEGOHM MIN  
 CONTACT RESISTANCE:  
 CENTER CONTACT - INITIAL 5 MILLIOHM MAX, AFTER ENVIRONMENTAL 8 MILLIOHM MAX  
 OUTER CONDUCTOR - GOLD PLATED INITIAL 1 MILLIOHM MAX, AFTER ENVIRONMENTAL 1.5 MILLIOHM MAX  
 BRAID TO BODY - NOT APPLICABLE  
 CORONA LEVEL: 250 VOLTS MINIMUM AT 70,000 FEET  
 INSERTION LOSS: .1 dB MAX AT 1 GHz  
 RF LEAKAGE: -.70 dB AT 2.5 GHz  
 RF HIGH POTENTIAL WITHSTANDING VOLTAGE: 700 VRMS AT 4 AND 7 MHz

MECHANICAL:

ENGAGE/DISENGAGE FORCE (MMCX): 3.4 LBS MAX ENGAGEMENT  
 5 LBS TYPICAL DISENGAGEMENT  
 ENGAGE/DISENGAGE TORQUE (SMA): NOT APPLICABLE  
 MATING TORQUE (SMA): 7-10 IN LBS MAX  
 CONTACT RETENTION FORCE: 6 LBS MIN  
 CONTACT RETENTION TORQUE: NOT APPLICABLE  
 COUPLING NUT RETENTION (SMA): NOT APPLICABLE  
 CABLE ACCEPTABILITY: NOT APPLICABLE  
 CABLE HEX CRIMP SIZE: NOT APPLICABLE  
 CABLE RETENTION: NOT APPLICABLE  
 DURABILITY: 500 CYCLES MIN

ENVIRONMENTAL:


(MEETS OR EXCEEDS THE APPLICABLE PARAGRAPH OF MIL-C-39012)  
 THERMAL SHOCK: MIL-STD-202, METHOD 107, CONDITION F  
 OPERATING TEMPERATURE: -55 DEG C TO 165 DEG C  
 CORROSION: MIL-STD-202, METHOD 101, CONDITION B  
 SHOCK: MIL-STD-202, METHOD 213, CONDITION B  
 VIBRATION: MIL-STD-202, METHOD 204, CONDITION B  
 MOISTURE: MIL-STD-202, METHOD 106

CUSTOMER DRAWING

THIS DRAWING TO BE INTERPRETED  
 PER ANSI Y 14.5M - 1982

"μSTATION"

COMPANY CONFIDENTIAL

TOLERANCE UNLESS OTHERWISE SPECIFIED		DRAWN BY	DATE	 299 Johnson Ave. P.O. Box 1732 Waseca, MN 56093-0832
DECIMALS	mm	T.A.KARI	4-27-98	
.XX		CHECKED BY	DATE	TITLE ASSEMBLY, ADAPTER SMA JACK TO MCX JACK, BETWEEN SERIES
.XXX REF		TAK	9-22-98	
MATL		APPROVED BY	DATE	CODE NO.
		RJB	10-7-98	
FINISH		RELEASE DATE		DRAWING NO. C - 134-1018-021/030
SCALE 10:1				U/M INCH
				SHEET 2 OF 2