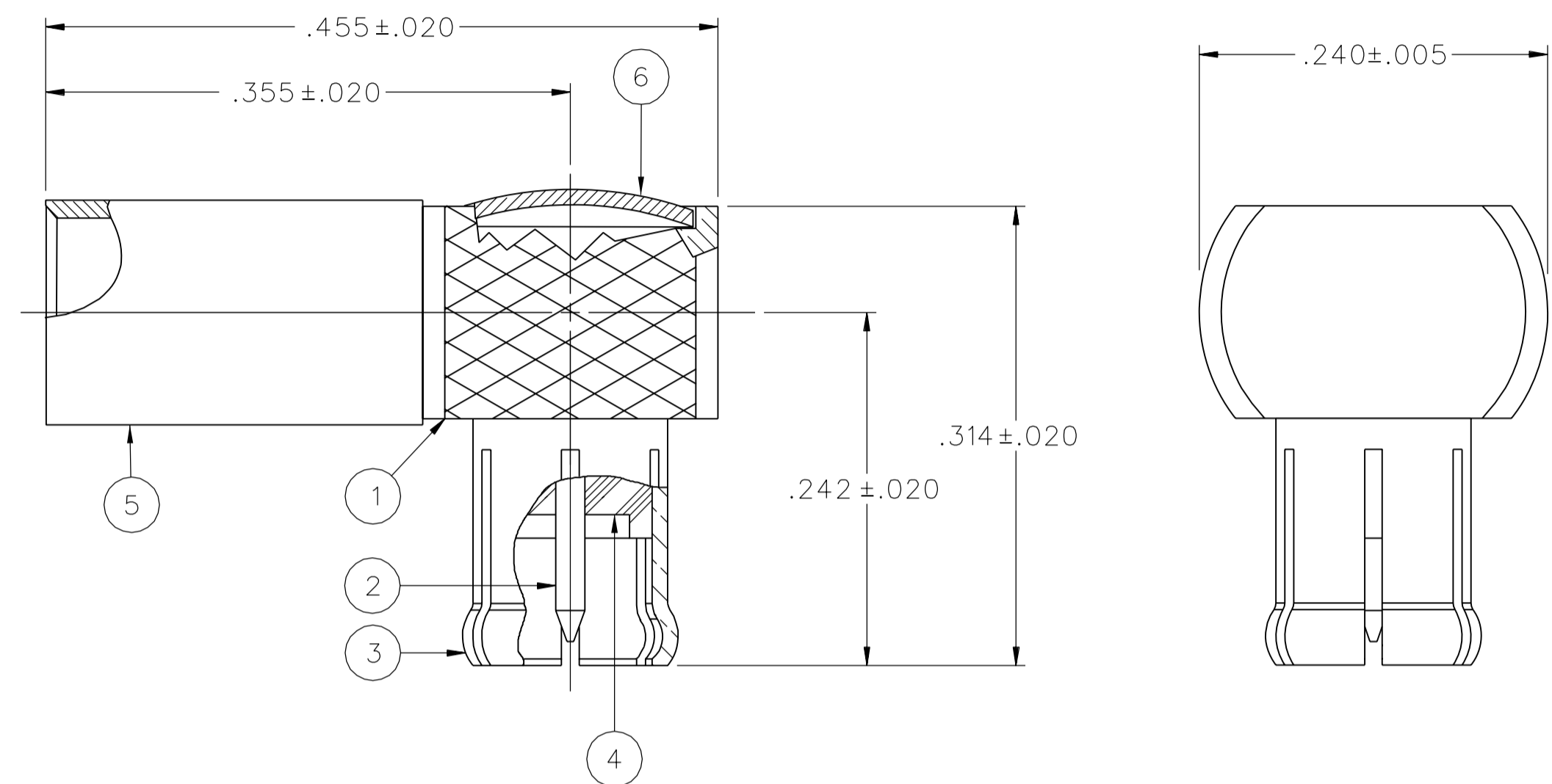


PART NUMBER 133-8433-101	ITEM ① BODY BRASS GOLD PL .00001 MIN OVER NICKEL PL .00005 MIN OVER COPPER PL .00005 MIN	ITEM ② CONTACT BERYLLIUM COPPER GOLD PL .00003 MIN OVER NICKEL PL .00005 MIN OVER COPPER PL .00005 MIN	ITEM ③ INTERFACE BERYLLIUM COPPER GOLD PL .00003 MIN OVER NICKEL PL .00005 MIN OVER COPPER PL .00005 MIN	ITEM ④ INSULATOR TEFLON	ITEM ⑤ CRIMP SLEEVE COPPER GOLD PL .00001 MIN OVER NICKEL PL .00005 MIN OVER COPPER PL .00005 MIN	ITEM ⑥ END CAP BRASS GOLD PL .00001 MIN OVER NICKEL PL .00005 MIN OVER COPPER PL .00005 MIN
-----------------------------	---	---	---	-------------------------------	--	--

DRAWING NO. C - 133-8433-101/110	
0	REVISIONS
ENGINEERING RELEASE	
1	6-14-99 R _H T _A R _J B _A 7-12-99 ECN 46510
VERSION UPDATE	
2	10-6-99 R _H T _A R _J F 10-21-99 ECN 46600
CHANGED: 1.0/8.0 LBS MIN/MAX DISENGAGE WAS 3.0 LBS TYPICAL, 1.0 LB MIN	
***** * REVISION NUMBER FOLLOWED BY AN ALPHA * * CHARACTER INDICATES DRAWING CLARIFI- * CATION OR PART NUMBER ADDITION ONLY. * *****	
2a	10-19-00 R _H T _A R _J B 10-21-99 ECN 47360



NOTES:

1. SPECIFICATIONS:

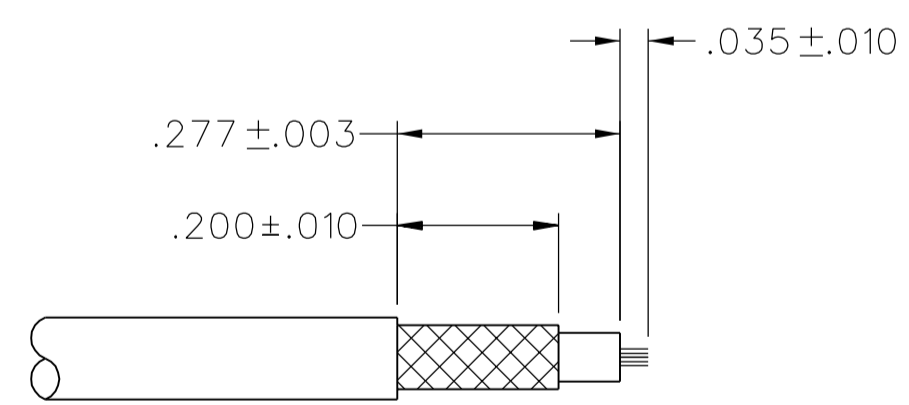
IMPEDANCE: 75 OHMS
 FREQUENCY RANGE: 0-6 GHz
 VSWR: 1.07+.04F MAX (F IN GHz)
 WORKING VOLTAGE: 335 VRMS MAX AT SEA LEVEL
 DIELECTRIC WITHSTANDING VOLTAGE: 1000 VRMS MIN AT SEA LEVEL
 INSULATION RESISTANCE: 1000 MEGOHM MIN
 CONTACT RESISTANCE:
 CENTER CONTACT - INITIAL 5 MILLIOHM MAX, AFTER ENVIRONMENTAL 15 MILLIOHM MAX
 OUTER CONDUCTOR - INITIAL 1 MILLIOHM MAX, AFTER ENVIRONMENTAL 1.5 MILLIOHM MAX
 BODY TO CABLE - INITIAL 1 MILLIOHM MAX, AFTER ENVIRONMENTAL NOT APPLICABLE
 CORONA LEVEL: 250 VOLTS MINIMUM AT 70,000 FEET
 INSERTION LOSS: .2 DB MAX AT 1GHz
 RF LEAKAGE: -55 DB AT 2.5 GHz
 RF HIGH POTENTIAL WITHSTANDING VOLTAGE: 700 VRMS AT 4 AND 7 MHz

MECHANICAL:

ENGAGE/DISENGAGE FORCE: 5.6 LBS MAX ENGAGEMENT
 1.0/8.0 LBS MIN/MAX DISENGAGEMENT
 CONTACT RETENTION FORCE: 2.3 LBS MIN AXIAL FORCE
 CONTACT RETENTION TORQUE: NOT APPLICABLE
 COUPLING MECHANISM RETENTION: NOT APPLICABLE
 CABLE ACCEPTABILITY: RG 179, RG 187
 CABLE HEX CRIMP SIZE: .128
 CABLE RETENTION: 20 LBS MIN AXIAL FORCE
 DURABILITY: 500 CYCLES MIN

ENVIRONMENTAL:

(MEETS OR EXCEEDS THE APPLICABLE PARAGRAPH OF MIL-C-39012)
 THERMAL SHOCK: MIL-STD-202, METHOD 107, CONDITION B
 OPERATING TEMPERATURE: -65 DEG C TO 165 DEG C
 CORROSION: MIL-STD-202, METHOD 101, CONDITION B
 SHOCK: MIL-STD-202, METHOD 102, CONDITION B
 VIBRATION: MIL-STD-202, METHOD 204, CONDITION B



CABLE STRIP DIMENSIONS
4:1

CUSTOMER DRAWING

THIS DRAWING TO BE INTERPRETED
PER ASME Y 14.5M - 1994

"μSTATION"

COMPANY CONFIDENTIAL

TOLERANCE UNLESS OTHERWISE SPECIFIED	DRAWN BY TAK	DATE 2-17-99	Connectivity Solutions P.O. Box 1732 Waseca, MN 56093 1-800-247-8256
DECIMALS _____ mm _____	CHECKED BY TAK	DATE 6-24-99	
.XXX _____	APPROVED BY RJB	DATE 6-25-99	TITLE PLUG ASSEMBLY RIGHT ANGLE CABLED, RG 179 MCX 75 OHM
MATL _____	RELEASE DATE 7-12-99	SHEET 2 OF 2	DRAWING NO. C - 133-8433-101/110
FINISH _____	U/M INCH SCALE 10:1		