

MICRO SWITCH

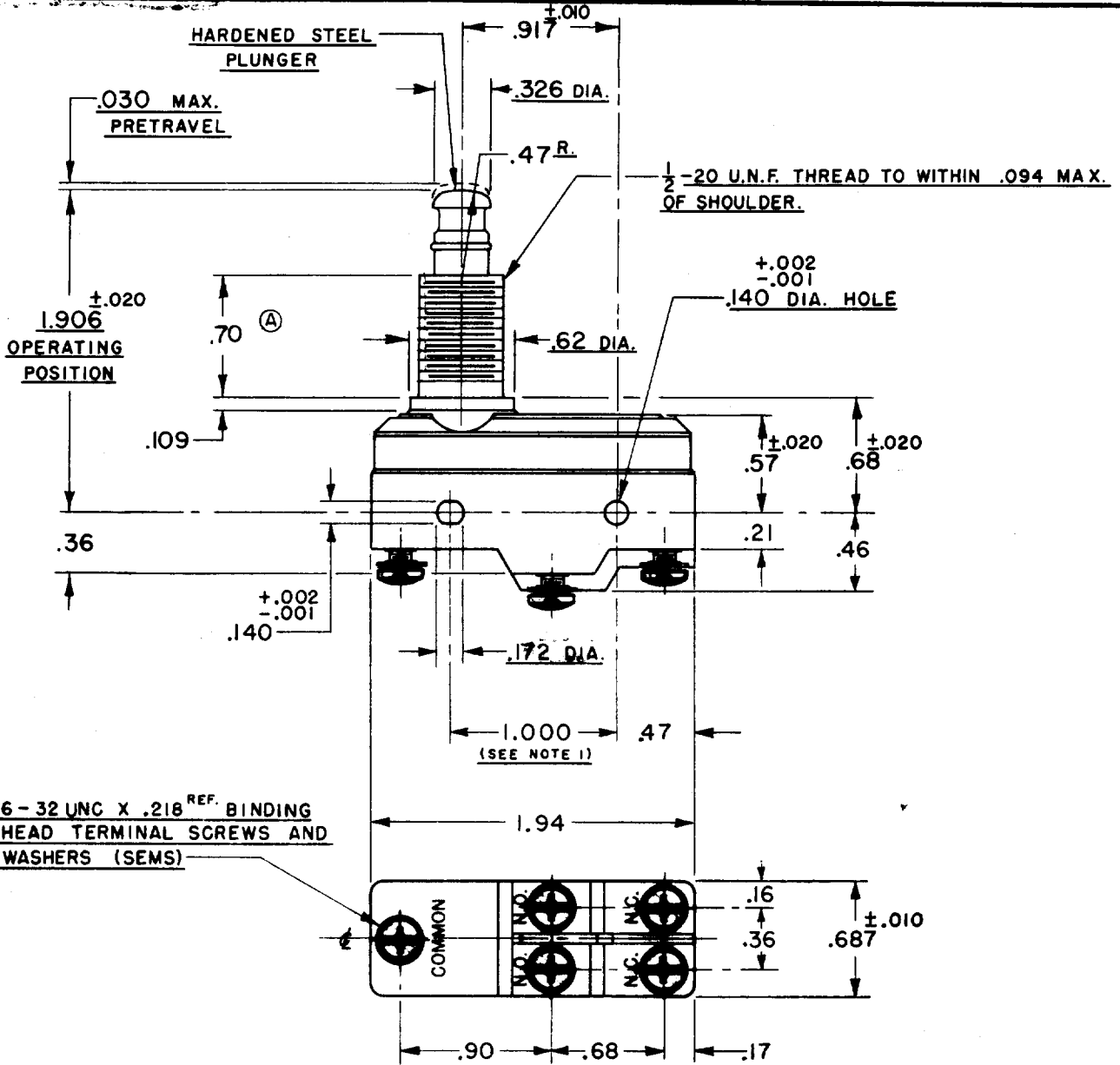
A DIVISION OF MINNEAPOLIS-HONEYWELL REGULATOR COMPANY
MINNEAPOLIS, MINNESOTA

FED. MFR. CODE 91929

SWITCH-BASIC

CATALOG LISTING

BZ-3YN702



NOTE -

- 1- SWITCH WILL PERFORM SATISFACTORILY IN TEMPERATURES TO MINUS 65° F.
- 2- MOUNTING HOLES WILL ACCEPT PINS OR SCREWS OF .139 MAX. DIA. ON 1.000 ±.002 CENTERS.

THIS DRAWING COVERS A PROPRIETARY ITEM AND IS THE PROPERTY OF MICRO SWITCH, A DIVISION OF HONEYWELL. THIS DRAWING IS NOT TO BE COPIED OR USED WITHOUT THE APPROVAL OF MICRO SWITCH.

CHARACTERISTICS

OPERATING FORCE-----16-26 OZ.

RELEASE FORCE-----4 OZ. MIN.

DIFFERENTIAL TRAVEL-----.001-.004

OVERTRAVEL-----.125 MIN.

ELECTRICAL DATA

CONTACT ARRANGEMENT
SINGLE POLE DOUBLE THROW
SPLIT CONTACT

-L4- UNDERWRITERS' LAB. INC. LISTED RATING
5 A 250 VAC



SCALE----- FULL

DO NOT SCALE PRINT

UNLESS OTHERWISE SPECIFIED

DIMENSIONS ARE IN INCHES

TOLERANCES ARE:

ONE PLACE (.0) ±.030
TWO PLACE (.00) ±.018
THREE PLACE (.000) ±.008
ANGLES ±

WEIGHT----- .092 LB.

BZ-3YN702

M

DRAWING NUMBER

86

X 8

ISSUE

REPLACES

RELEASE NO. C.O. 8520

CHECK

REVISIONS

CHECK

CHECK

CHECK

CHECK

CHECK

CHECK

CHECK

CHECK

CHECK

CHECK

REVISIONS

A CO28543

OMW

29 JUN 71

B CO

33709

17 JUN 74

C CO36332

RER

14 JAN 76

D CO-

89351-0

JWB

18 JUL 91

E CO-

77890

SAD

10 JUN 94

5 Dec. 55

C.M.T.

5 Dec. 55

G.C.H. 12 Dec. 55

16, JUNE '55

D.A.W.

74-96

74-96

74-96

74-96

74-96