

# MICRO SWITCH

A DIVISION OF MINNEAPOLIS-HONEYWELL REGULATOR COMPANY  
MINNEAPOLIS, MINNESOTA

FED. MFR. CODE 91929

## SWITCH - BASIC

CATALOG LISTING

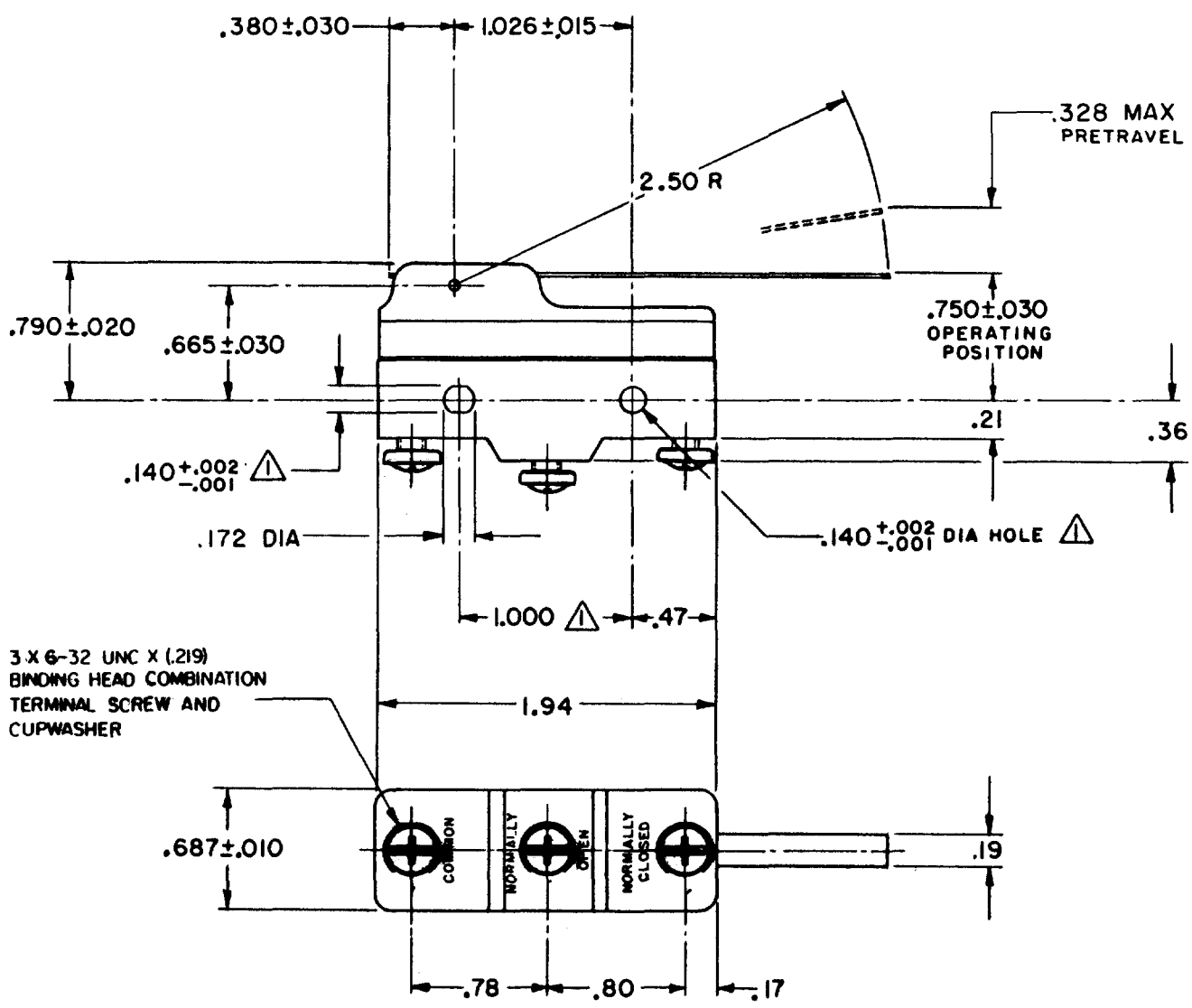
BZ-2RW84-A2

APA6000

**BZ-2RW84-A2**  
 PAGE 1 OF 1  
**M**  
 DRAWING NUMBER  
**8**  
 ISSUE  
 REVISIONS  

A	CO	16736
GCH		27 APRIL 62
B	CO	34306
KPK		3 JUN 75
C	CO	73287-C
KDR		21 JUN 93
D	CO	76588
KDR		3 SEP 93
E	CO	77589
MAM		29 MAR 94
F	CO	93346
DLT		11 SEP 98
G	CO	0015139
TSG		23 AUG 05

 CHECK  
 23 AUG 05  
 23 AUG 05  
 14 JUN 02  
 27 APRIL 62  
 FORMTEK  
 FO-50378  
 DRAWN



3 X 6-32 UNC X (.219)  
BINDING HEAD COMBINATION  
TERMINAL SCREW AND  
CUPWASHER

**NOTE**  
 ▲ MOUNTING HOLES WILL ACCEPT PINS OR SCREWS  
 OF .139 MAX DIA ON 1.000 ± .002 CENTERS

THIS DRAWING COVERS A PROPRIETARY ITEM AND IS THE PROPERTY OF MICRO SWITCH, A DIVISION OF MINNEAPOLIS-HONEYWELL REGULATOR CO. THIS DRAWING IS NOT TO BE COPIED OR USED WITHOUT THE APPROVAL OF MICRO SWITCH.

CHARACTERISTICS	ELECTRICAL DATA	SCALE FULL
OPERATING FORCE----- 1 OZ MAX	CONTACT ARRANGEMENT S P D T	DO NOT SCALE PRINT
RELEASE FORCE----- 1/8 OZ MIN	-L96- 15A-125, 250, OR 480 VAC 1/2 A-125 VDC; 1/4 A-250 VDC 1/8 HP-125 VAC; 1/4 HP-250 VAC -L288- -L306- -L315-	UNLESS OTHERWISE SPECIFIED DIMENSIONS ARE IN INCHES
DIFFERENTIAL TRAVEL----- .007-.050		TOLERANCES ARE: ONE PLACE (.0) ±.030 TWO PLACE (.00) ±.015 THREE PLACE (.000) ±.005 ANGLES ±
OVERTRAVEL----- .219 MIN		CE EN05 EC 16A 250V ~ T85 5E4
		WEIGHT .073 LB