

5

4

3

2

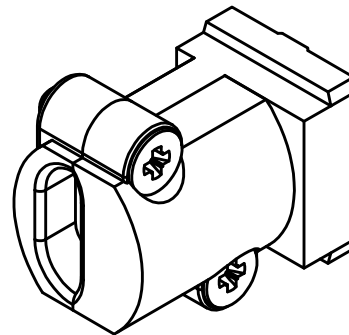
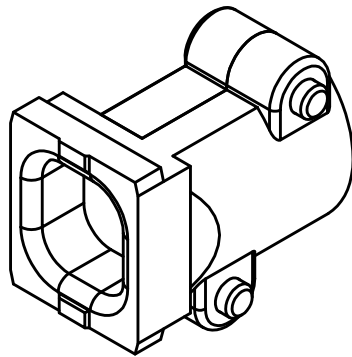
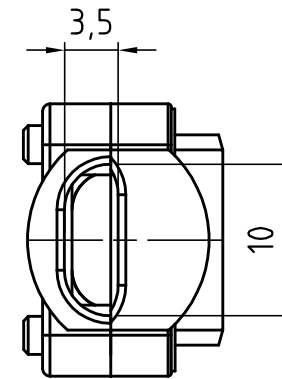
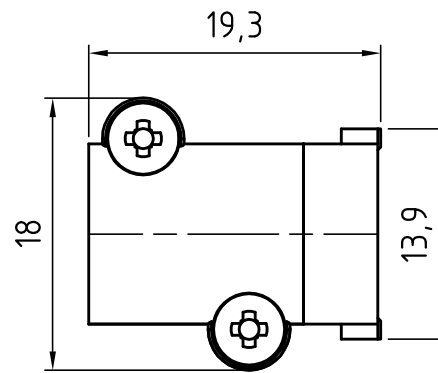
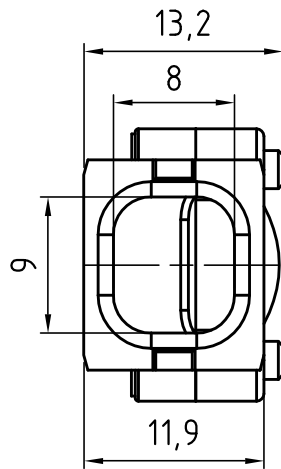
1

D

C

B

A



All Dimensions in mm
Original Size DIN A 4

Techn. Character.

Nicht tolerierte Maße/

Free size tolerances

DIN_ISO_2768_M

	Dat.	Name	Maßstab/ Scale 2:1
Detail.	14,08,03	STRAUCH	
Insp.			
Stand.			

INDUCOM_CABLE_CLAMP_4...7MM
TO_BE_USED_WITH_D-SUB-9/15/25/37_HOODS

32473	10,01,05	STRAUCH
Mod.	Dat.	Name

HARTING Electronics GmbH & Co. KG
D-32339 ESPELKAMP



TB 61_03_000_0141

Sub. Sub

Blatt/ page
1 / 1