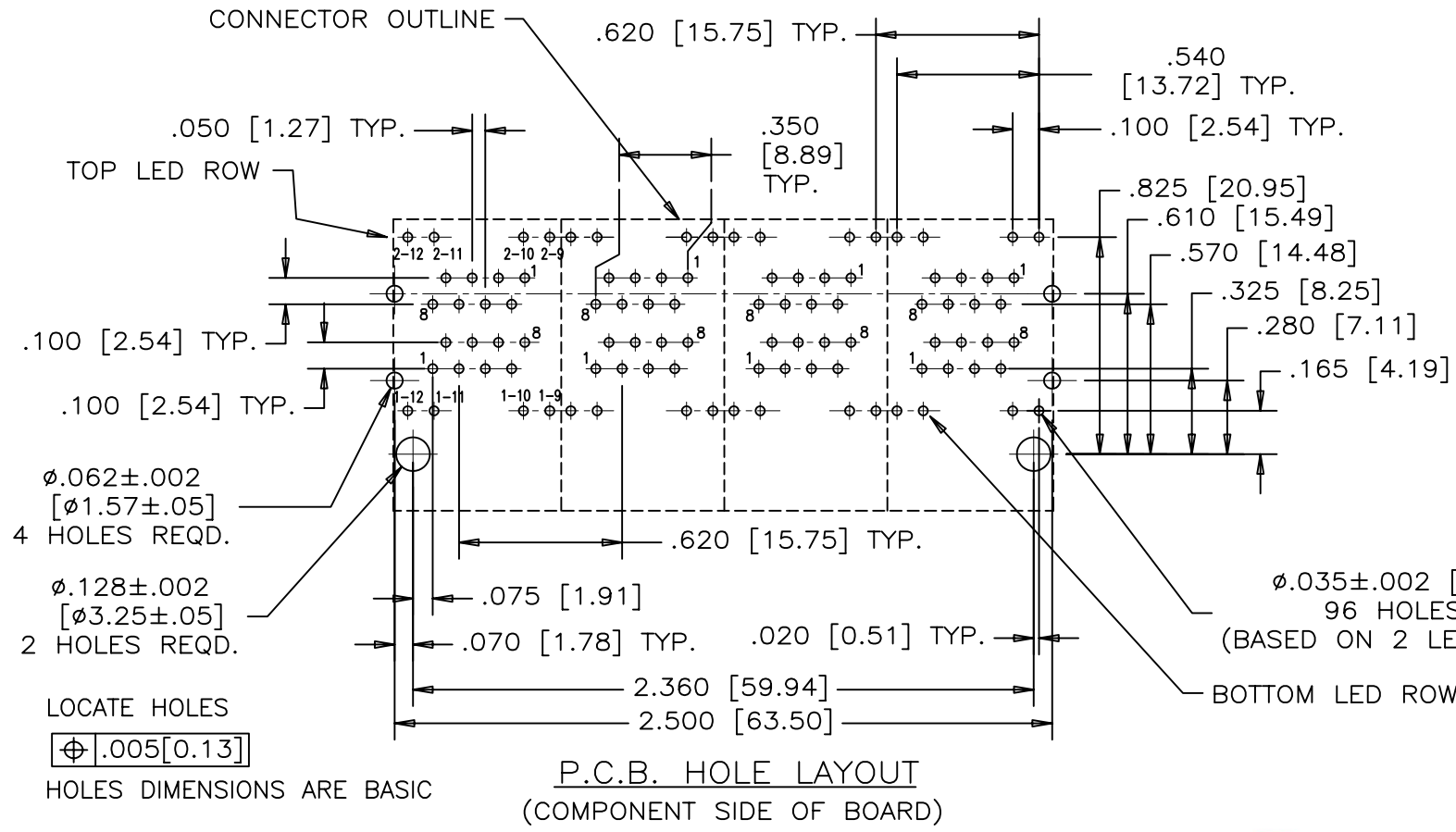
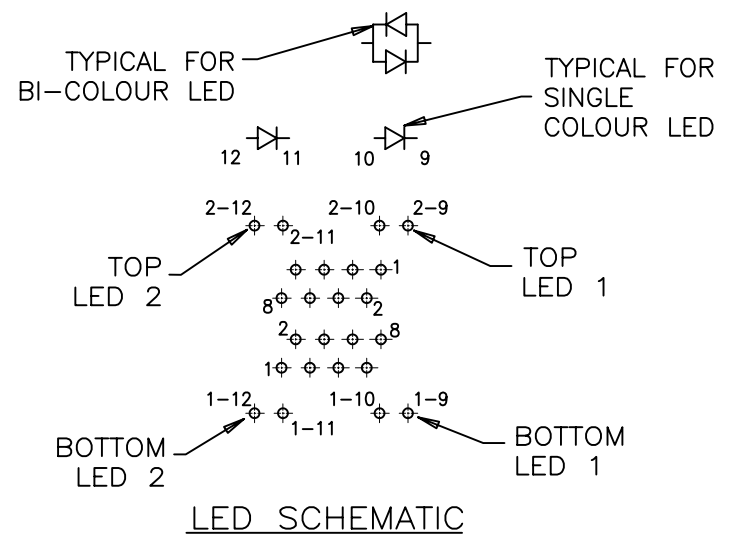
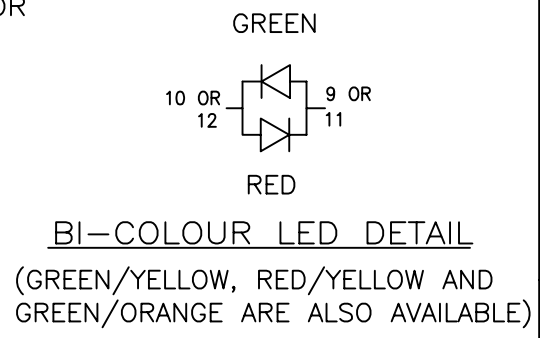
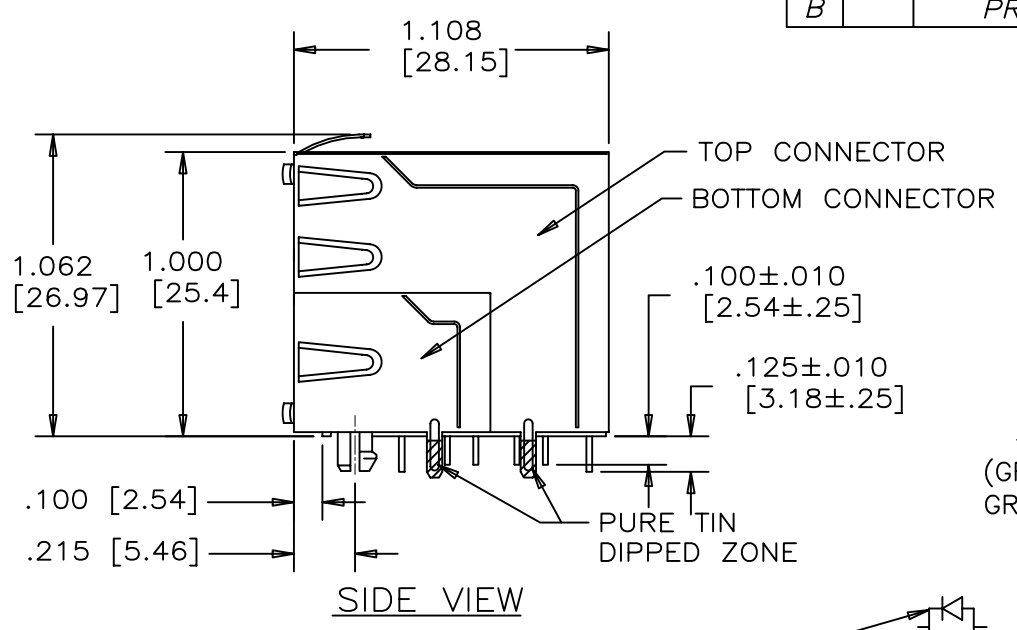
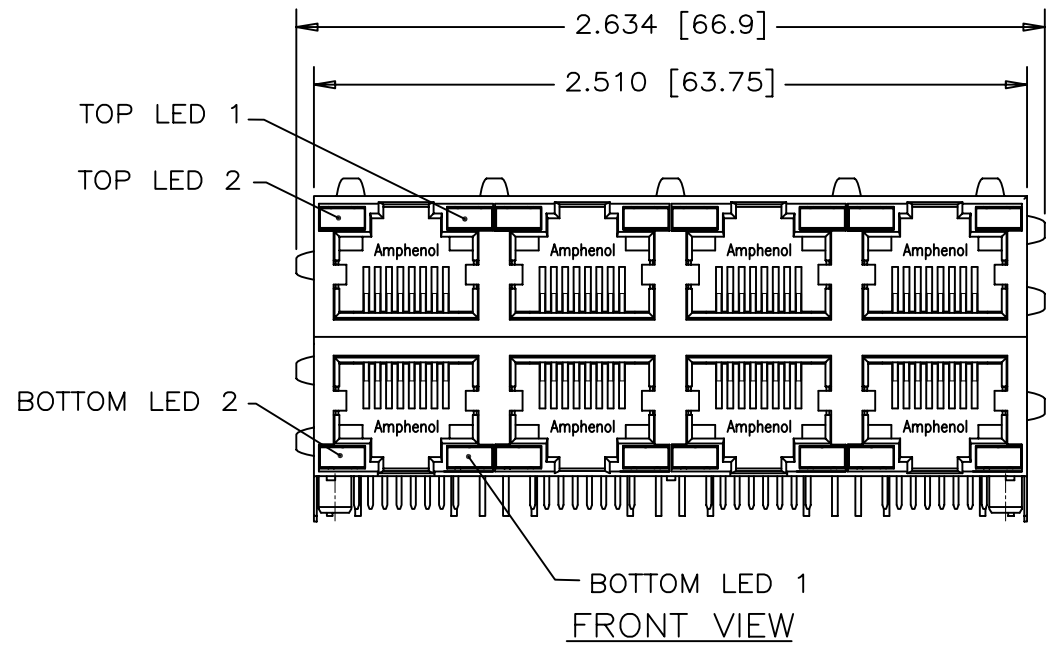
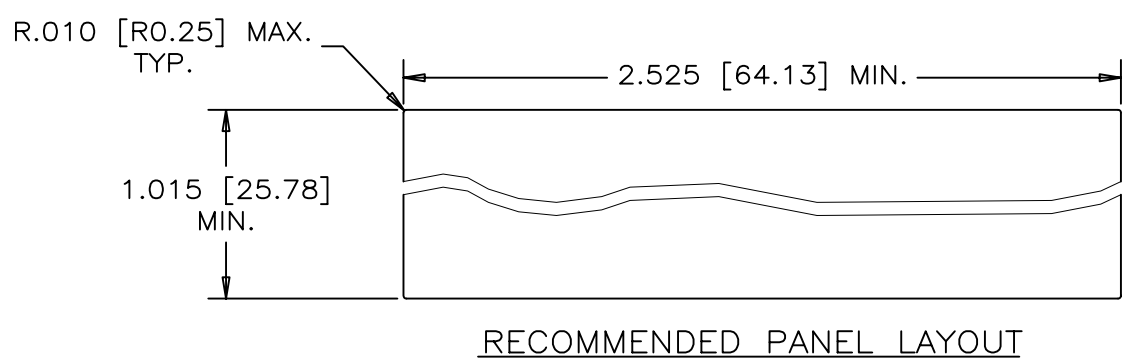


| REVISIONS | | | | |
|-----------|------|--------------|------------|--------|
| SYM | ZONE | ECN, ERN NO. | DATE | APPRD. |
| B | | PROPOSAL | 12/19/2005 | L.CHAN |



MATERIALS:
HOUSING: HIGH TEMPERATURE THERMOPLASTIC. FLAMMABILITY RATING UL 94V-0
CONTACTS: PHOSPHOR BRONZE
 PLATING: 50μ" [1.27 MICRONS] MIN. GOLD OVER MATING SURFACES.
 50μ" [1.27 MICRONS] MIN. NICKEL UNDERPLATE.
 100μ" [2.54 MICRONS] MIN. MATTE TIN OR GOLD FLASH ON CONTACT TAILS.
SHIELD: COPPER ALLOY
 PLATING: NICKEL WITH PURE TIN DIPPED PCB TAIL.

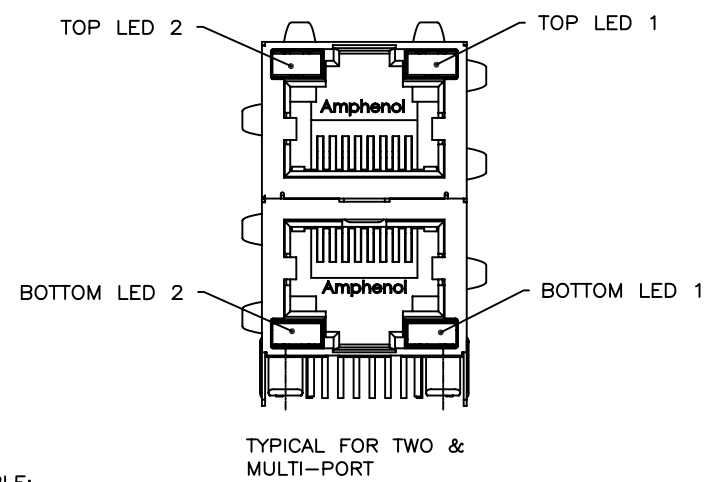


PART NUMBER: RJSAE-538X-08X
 REFER TO LED OPTIONS DRAWING FOR ORDERING CODES

| | | | | |
|----------------|---------------|---|------------------|--------------|
| DRAWN PWANG | DATE 05/12/19 | Amphenol Canada Corp. | | |
| DESIGNED | | | | |
| CHECKED CHIGOW | DATE 05/12/19 | TITLE STACKABLE MULTI-PORT MODULAR JACK (8 POS. 8 CONTACTS, 2 LEDS PER PORT, SHIELDED) - RoHS COMPLIANT | | |
| I. E. APPRD. | | DWG | DRAWING NO. | REV. |
| Q. A. APPRD. | | | P-RJSAE-538X-08X | B |
| DWG. APPRD. | | SCALE | | |
| ENG. REL. NO. | | WT. | SURF. | SHEET 1 OF 1 |
| REF. | | CODE ID. NO. 03554 | | |

THIS DOCUMENT CONTAINS PROPRIETARY INFORMATION AND SUCH INFORMATION MAY NOT BE DISCLOSED TO OTHERS FOR ANY PURPOSE OR USED FOR MANUFACTURING PURPOSES WITHOUT WRITTEN PERMISSION FROM AMPHENOL CANADA CORP.

| REVISIONS | | | |
|-----------|------|--------------|-----------------|
| SYM | ZONE | ECN, ERN NO. | DATE APPRD. |
| D | | PROPOSAL | MAR24/08 L.CHAN |



LED SPECIFICATIONS:
 FORWARD VOLTAGE: 2.1 VOLTS TYP.
 REVERSE VOLTAGE: 5.0 VOLTS MIN.
 LUMINOUS INTENSITY: 0.5 mCd MIN.
 (AT If=2mA)
 STORAGE TEMPERATURE: -20° TO 85° C
 LEAD SOLDERING TEMPERATURE: 260° C
 (5 SEC, 1/16" FROM CASE)
 PLATING ON TAILS: TIN OR TIN/COPPER ALLOY OVER SILVER

EXAMPLE:
 PART NUMBER RJSAE-528X
 + — (ANODE) — (CATHODE)

EXAMPLE:
 PART NUMBER RJSAE-538U-08-XX
 LED COLOR CODE
 BOTTOM ASSY LED (SAME AS STD CODE)
 TOP ASSY LED (SAME AS STD CODE)

PRIMARY COLOR FOR BI-COLOR
 LEDS IN STANDARD ANODE/
 CATHODE CONFIGURATION IS:
 RED-GREEN= RED
 RED-YELLOW= RED
 GREEN-YELLOW= GREEN
 GREEN-ORANGE= GREEN

| CODE | LED 2 (LEFT) | LED 1 (RIGHT) | CODE | LED 2 (LEFT) | LED 1 (RIGHT) | CODE | LED 2 (LEFT) | LED 1 (RIGHT) |
|------|--------------|---------------|------|--------------|---------------|------|--|---------------|
| 0 | BLOCKED | BLOCKED | 9 | GREEN | BLOCKED | J | BiC RD/GR | YELLOW |
| 1 | YELLOW | GREEN | A | BiC GR/YE | BiC GR/YE | K | YELLOW | BiC GR/OR |
| 2 | BLOCKED | GREEN | B | BiC RD/GR | BiC RD/GR | L | BiC GR/YE | RED |
| 3 | YELLOW | BLOCKED | C | BiC RD/GR | BiC GR/YE | M | RED | YELLOW |
| 4 | GREEN | YELLOW | D | GREEN | BiC GR/YE | N | BiC GR/RD | BiC GR/YE |
| 5 | GREEN | GREEN | E | YELLOW | BiC GR/YE | P | GREEN | BiC RD/GR |
| 6 | YELLOW | YELLOW | F | BiC GR/YE | YELLOW | R | BiC GR/OR | GREEN |
| 7 | RED | GREEN | G | BiC GR/OR | BiC GR/OR | T | RED | RED |
| 8 | GREEN | RED | H | BiC GR/YE | GREEN | V | BiC RD/GR | GREEN |
| | | | | | | W | ADDITIONAL OPTIONS | |
| | | | | | | U | SPECIAL CODE FOR TOP & BOTTOM LEDS CONFIGURATION | |

LEGEND
 BiC=BI-COLOR LED
 LOWC=LOW CURRENT LED
 YE=YELLOW
 GR=GREEN
 RD=RED
 OR=ORANGE

EXAMPLE OF ADDITIONAL LED OPTIONS:
 PART NUMBER RJSAE-528W-A2X
 W — ADDITIONAL LED COLOR CODE
 X — DENOTES ADDITIONAL LED OPTIONS TO BE USED

| CODE | LED 2 (LEFT) | LED 1 (RIGHT) | CODE | LED 2 (LEFT) | LED 1 (RIGHT) | CODE | LED 2 (LEFT) | LED 1 (RIGHT) |
|------|--------------|---------------|------|--------------|---------------|------|--------------|---------------|
| 0 | DO NOT USE | | 5 | BLOCKED | YELLOW | A | LOWC YE | LOWC YE |
| 1 | RED | BLOCKED | 6 | RED | BiC RD/GR | B | LOWC YE | LOWC GR |
| 2 | BiC GR/OR | YELLOW | 7 | | | C | LOWC GR | LOWC YE |
| 3 | YELLOW | RED | 8 | BiC RD/GR | BLOCKED | D | LOWC GR | LOWC GR |
| 4 | BLOCKED | RED | 9 | BiC GR/YE | BLOCKED | E | BLOCKED | LOWC GR |
| | | | | | | F | LOWC GR | LOWC RD |
| | | | | | | G | LOWC RD | LOWC GR |
| | | | | | | M | LOWC RD | LOWC YE |
| | | | | | | N | GREEN | BiC GR/OR |

NOTE:
 THE TWO DIGITS PRECEDING THE
 ADDITIONAL LED CODE MUST BE
 USED IN THE PART NUMBER, WHEN
 ORDERING ANY OF THE ADDITIONAL
 LED OPTIONS.

| | | | |
|---------------|----------------|---|--------------------------|
| DRAWN ChigowX | DATE NOV.16/06 | Amphenol Canada Corp. | |
| DESIGNED | | | |
| CHECKED LCHAN | DATE NOV.16/06 | TITLE LED OPTIONS FOR RJSAE, MULTI-PORT CONNECTORS - RoHS COMPLIANT | |
| I. E. APPRD. | | DWG | DRAWING NO. P-RJSAE-LEDS |
| Q. A. APPRD. | | REF. | REV. D |
| DWG. APPRD. | | DIMENSIONS ARE IN INCHES [mm] | CODE ID. NO. 03554 |
| ENG. REL. NO. | | SCALE | WT. SURF. SHEET 1 OF 1 |

THIS DOCUMENT CONTAINS PROPRIETARY INFORMATION AND SUCH INFORMATION MAY NOT BE DISCLOSED TO OTHERS FOR ANY PURPOSE OR USED FOR MANUFACTURING PURPOSES WITHOUT WRITTEN PERMISSION FROM AMPHENOL CANADA CORP.