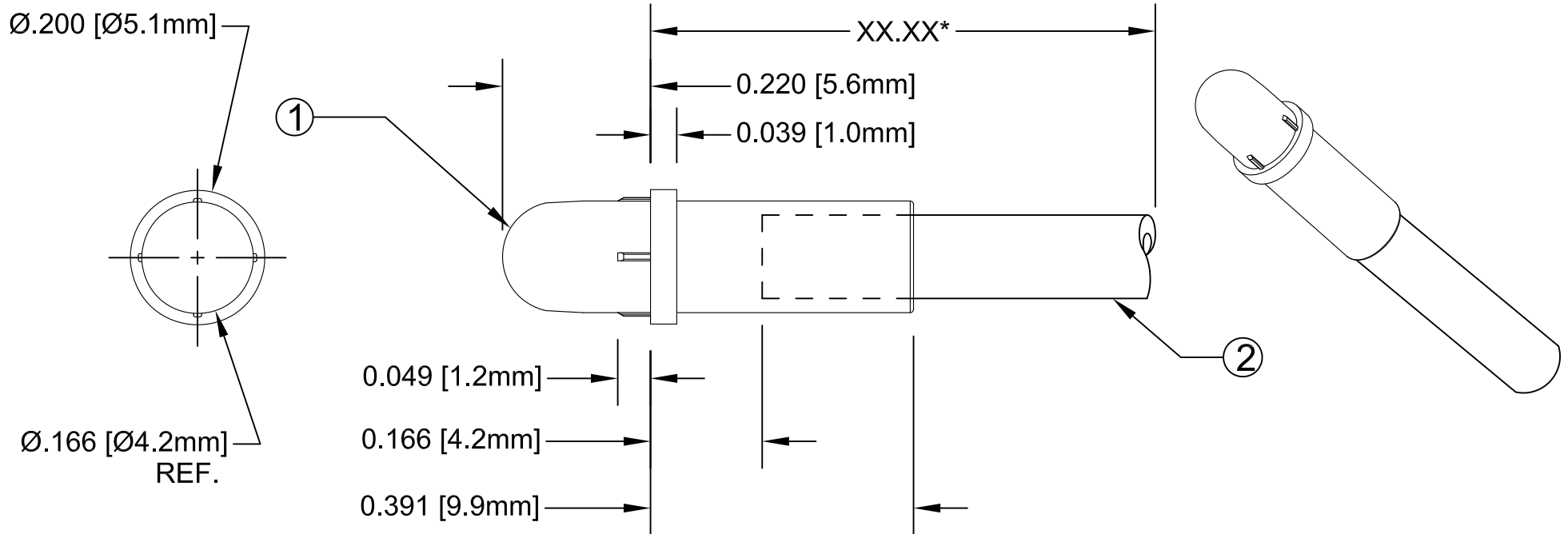


ITEM	Q'TY	PART NUMBER	PART DESCRIPTION
1	1	FLP-P4-D	LENS CAP, FLEXIBLE LIGHT-PIPE, DOME
2	1	FLPS2031-XX.X	2mm LIGHT PIPE CABLE, CUT LENGTH IN INCHES

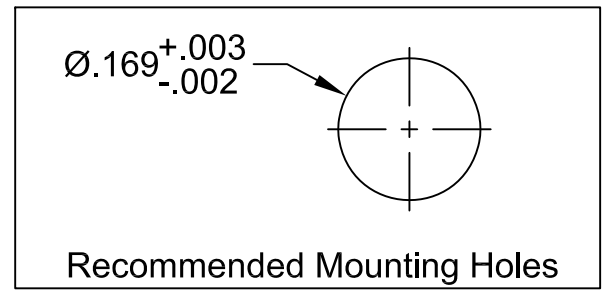
REV.	DESCRIPTION	DATE	APPROVED
A	Engineering Release	04/20/12	T. Y.


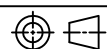


*Length "XX.XX"	Tolerance
2.50" ~ 16.00"	±0.050"
16.25" ~ 40.00"	±0.15"
40.25" ~ 80.00"	±0.30"
80.25" ~ 500.0"	±0.5%

EXAMPLE:
PM4-D2031-6.50

Series Fiber Length in
 0.25" Increments



STANDARD TOLERANCE (UNLESS OTHERWISE SPECIFIED)		 4 THOMAS, IRVINE, CA. 92618 TEL: (949) 951-8808 FAX: (949) 951-3974	
DECIMALS	ANGULAR		
.X ±.1	X° ± 1°		TITLE: 4mm Domed Lens Flexible Light Pipe FLPS2031 Indicators
.XX ±.02			
.XXX ±.010		DESIGNED: Ty Yin	DATE: 04/20/12
		CHECKED: B. Ollver	DATE: 04/20/12
		PART NO: PM4-D2031-XX.XX REVISION: A	
		CAGE CODE : 32559 SHEET # 1 OF 1	
CAD GENERATED DOCUMENT. DO NOT MEASURE DRAWING.			