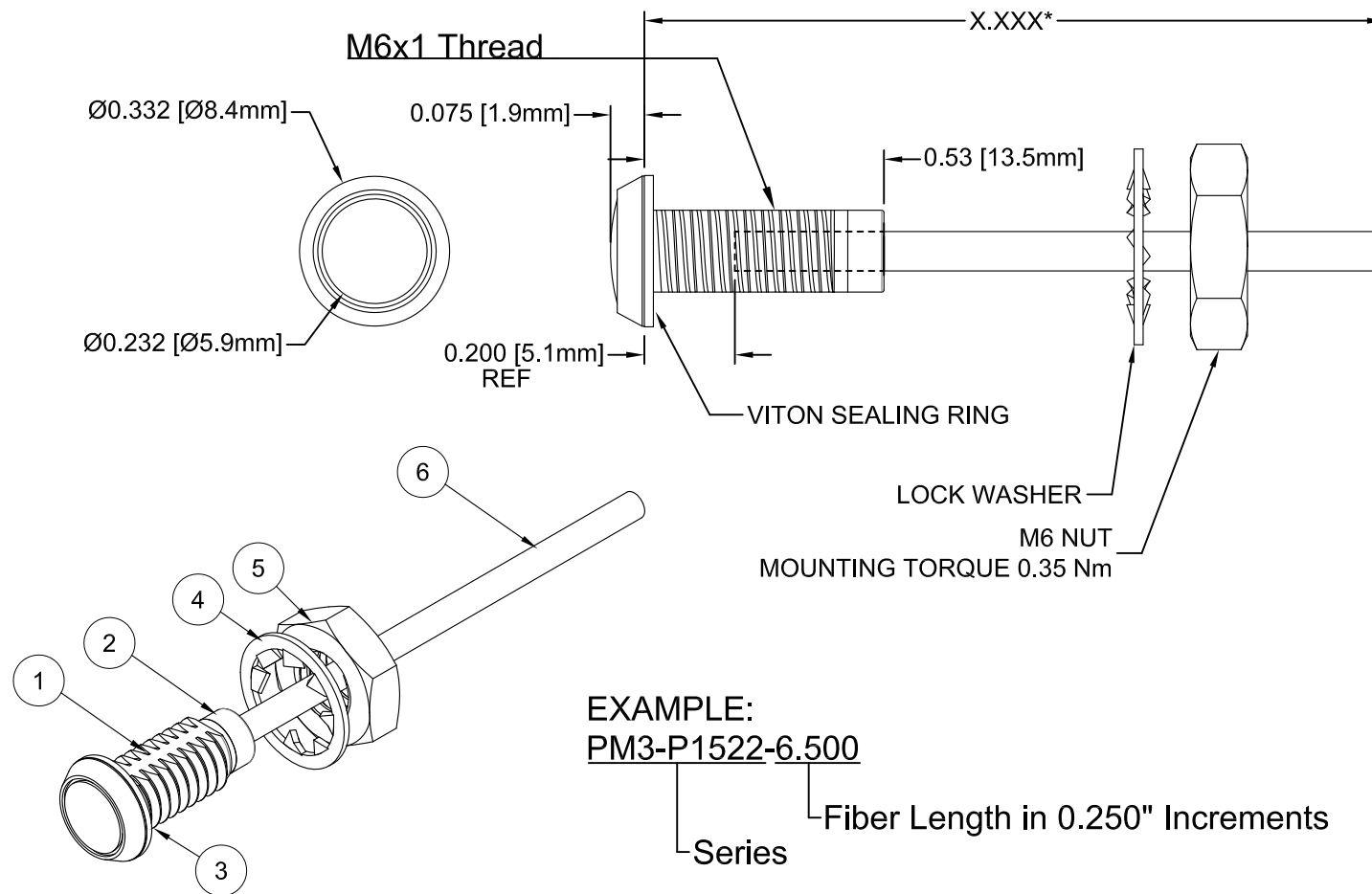
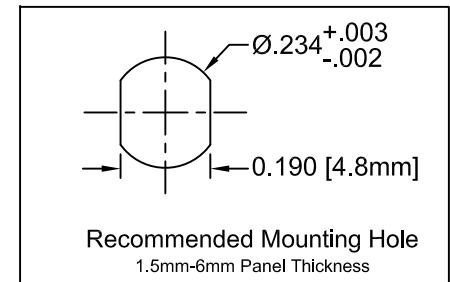


ITEM	Q'TY	PART NUMBER	PART DESCRIPTION
1	1	PM3-PL	3mm Polycarbonate Panel Mount Housing
2	1	PM3-FP22	2.2mm to 3mm Flexible Light Pipe Adapter
3	1	PM3-VS	3mm Viton Sealing Ring
4	1	WASH-1009	M6 Internal Tooth Lock Washer
5	1	NUT-1004	M6x1 Thin Nut
6	1	FLPS1522-X.XXX	1.5mm x 2.2mm Flexible Light Pipe

REV.	DESCRIPTION	DATE	APPROVED
B	Engineering Release	06/19/12	T. Y.
C	Added Note 5	12/10/12	T. Y.




*Length "X.XXX"	Tolerance
1.000" ~ 16.000"	±0.050"
16.250" ~ 40.000"	±0.150"
40.250" ~ 80.000"	±0.300"
80.250" ~ 500.0"	±0.5%



NOTES:

1. SEALED TO IP67 RATING
2. ROHS COMPLIANT
3. MOUNTING HARDWARE SHIPPED NON-ASSEMBLED
4. INSERT VITON RING ON PANEL MOUNT PRIOR TO PANEL INSERTION
5. ALLOWABLE CUT LENGTH IS UP TO 3 DECIMAL PLACES

STANDARD TOLERANCE (UNLESS OTHERWISE SPECIFIED)		 BIVAR [®] 4 THOMAS, IRVINE, CA. 92618 TEL: (949) 951-8808 FAX: (949) 951-3974	
DECIMALS	ANGULAR		
.X ±.1	X° ± 1°	TITLE: IP-67 Rated Panel Mount Flexible Light Pipe Indicator PART NO: PM3-P1522-XX.XX REVISION: C	
.XX ±.02			
.XXX ±.010		CAGE CODE : 32559 SHEET # 1 OF 1	
DESIGNED: Brian Oliver	DATE: 04/12/12	CAD GENERATED DOCUMENT, DO NOT MEASURE DRAWING.	
CHECKED: T. Yin	DATE: 04/12/12		