

4

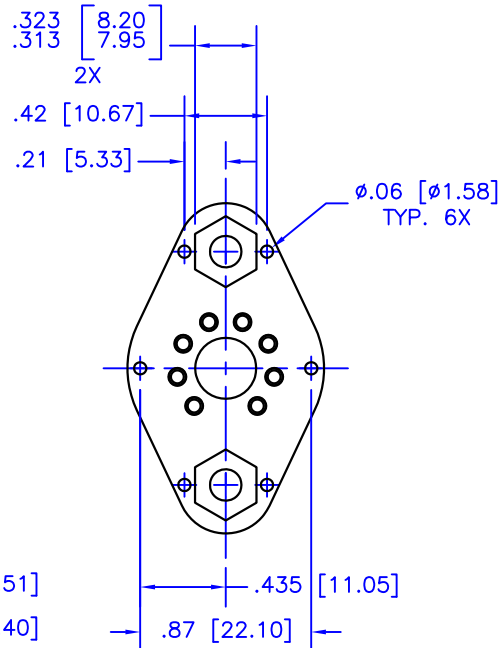
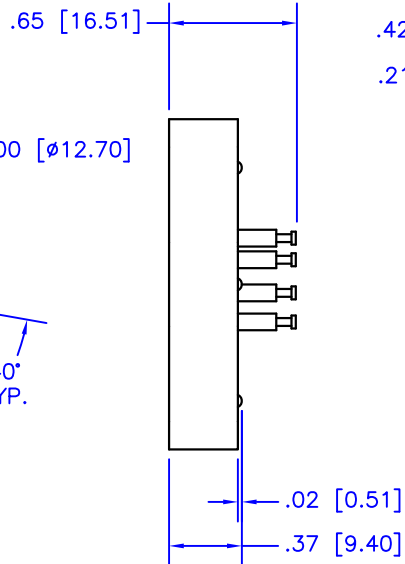
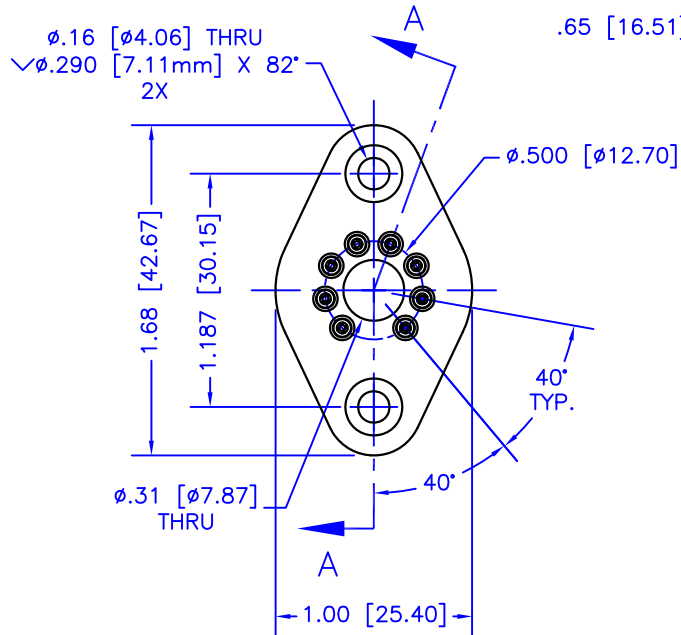
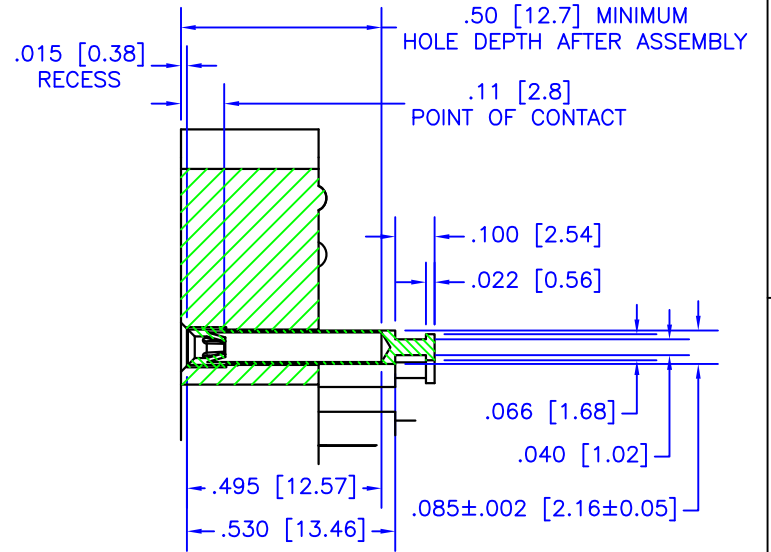
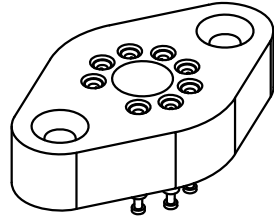
3

2

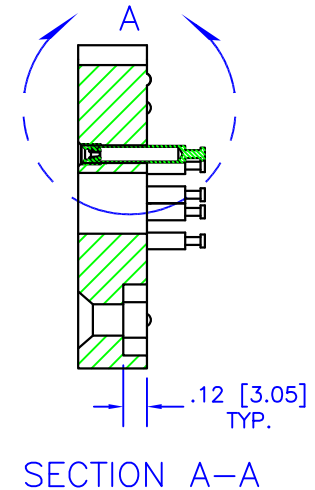
1

NOTES:

- 1. Dimensions are in inches & [mm].
- 2. Socket body: Glass-filled polyester, 94 VO rating, green in color
- 3. Receptacle shell: 360 brass, with 200 µin tin over 100 µin nickel
- 4. Receptacle contacts: Beryllium copper with 30 µin gold over 50 µin nickel
- 5. The continuous temperature rating of the socket shall be 150° C.
- 6. Contact resistance: 20 milliohms or less.



DETAIL A
SCALE 2:1



TOLERANCES - UNLESS OTHERWISE SPECIFIED
.XX = ±.05 [.002]
.XXX = ±.005 [.0002]
ANG. = ±2°



TITLE:	TO-3 SOCKET			MODEL:
SUBJECT:	MECHANICAL DRAWING			MS03
ENGINEER:	DRAWN BY:	DCA:	SHL OF	FILENAME:
D-M	P.ECK	12436	1 1	MS03

REV:	DATE:
F	14NOV12

4

3

2

1