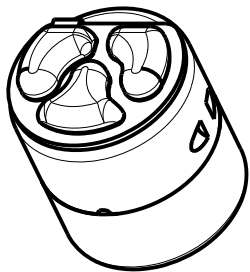
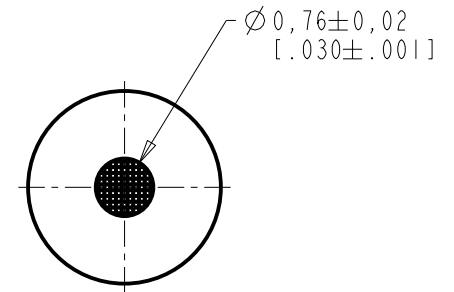
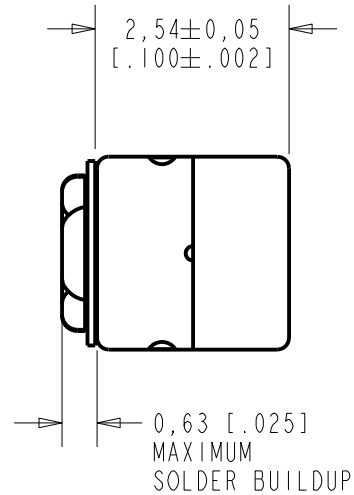
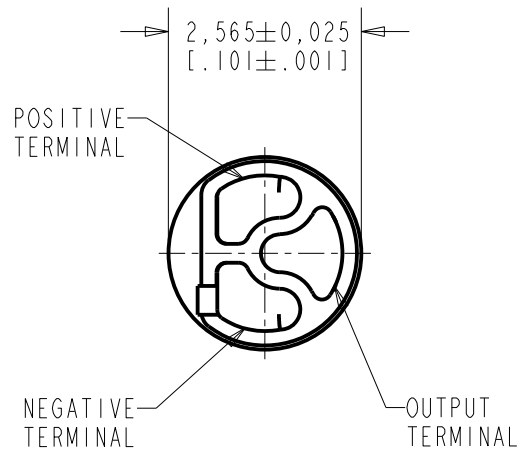


**FG-23329-D65**  
SHT 1.1

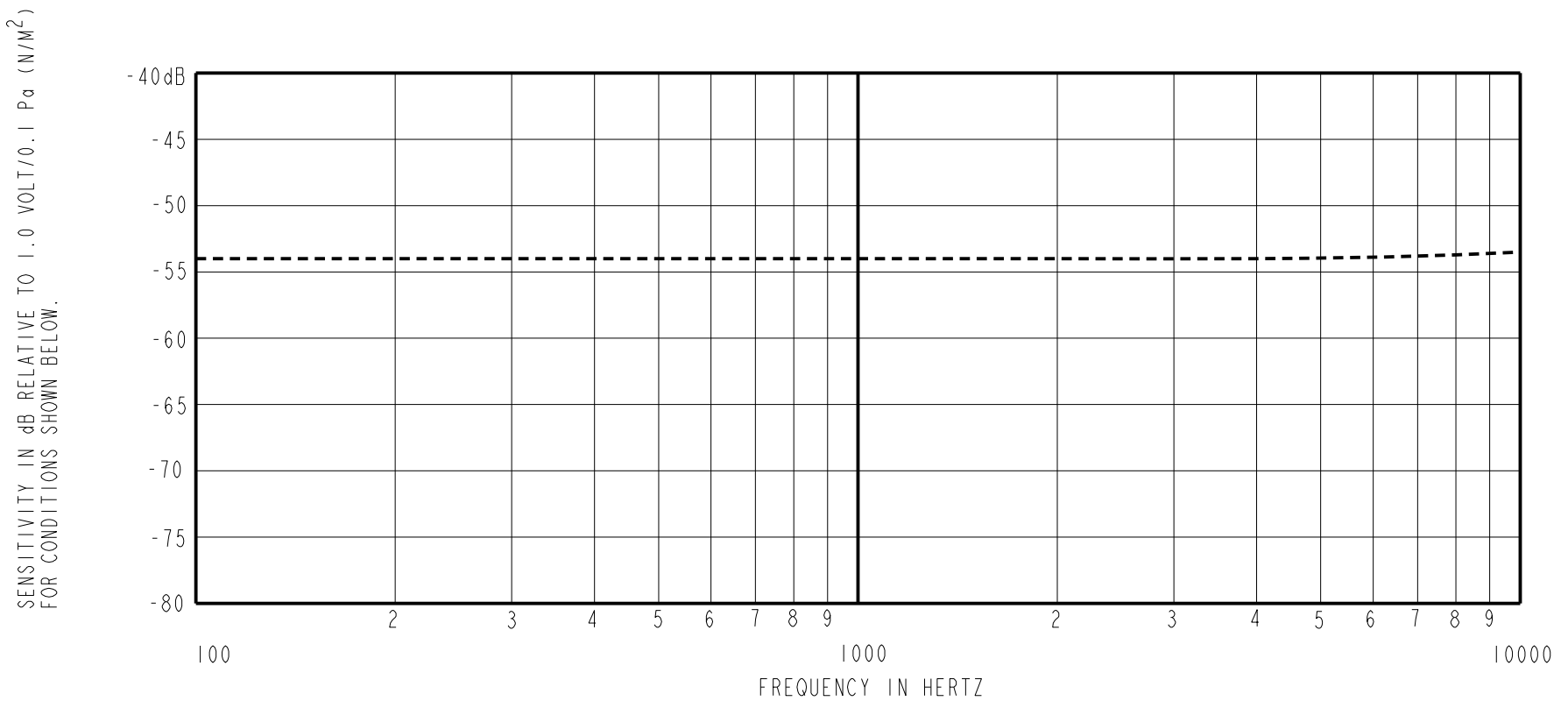


DIMENSIONS IN MILLIMETERS [INCHES]

Revision	C.O. #	Implementation Date	RELEASE LEVEL	REVISION
F	MI0104840	10-10-12	<b>Active</b>	<b>F</b>
E	MI0104555	5-2-12		
D	MI0104496	2-14-12		

SCALE: <b>10:1</b>		DR. BY: SDZ	DATE: 7-27-09
DO NOT SCALE DRAWING		CK. BY: GJP	DATE: 7-27-09
TITLE: <b>MICROPHONE</b>	<b>FG-23329-D65</b>	APP. BY: GJP	DATE: 7-27-09
OUTLINE DRAWING		SHT 1.1	

**KNOWLES ELECTRONICS**  
ITASCA, ILLINOIS U.S.A.



FREQUENCY	SENSITIVITY			DEVICE CONFORMITY	
	MIN.	NOM.	MAX.	RANGE OF DEVIATION FROM 1KHz	
100	---	-54.0	---	-3.0	+3.0
1000	-57.0	-54.0	-51.0	0.0	0.0
10000	---	-53.5	---	-3.0	+4.0

- NOTES: 1. CASE CONNECTED TO NEGATIVE TERMINAL.  
2. MICROPHONE TO BE FUNCTIONAL WITH 3.0 VDC SUPPLY.  
3. TYPICAL SENSITIVITY TO HUMIDITY AT 1000Hz IS 0.06 dB/%RH  
4. SENSITIVITY AND NOISE VALUES INDICATED ON THIS SPECIFICATION ARE VALID AT 50% HUMIDITY.

DC SUPPLY	AMPLIFIER CURRENT DRAIN	SENSITIVITY CHANGE ON CHANGING SUPPLY TO 0.9VDC AND 3.0 VDC	"A" WEIGHTED NOISE (1 kHz EQUIV. SPL)	OUTPUT IMPEDANCE OHMS		
				MIN.	NOM.	MAX.
1.3V	50 μA MAX.	3 dB MAX.	30.0 dB MAX.	2800	4400	6800

Revision	C.O. #	Implementation Date	RELEASE LEVEL	REVISION
F	M10104840	10-10-12	Active	F
E	M10104555	5-2-12		
D	M10104496	2-14-12		

**KNOWLES ELECTRONICS**  
ITASCA, ILLINOIS U.S.A.

WHEN TEST LIMITS ARE USED TO ESTABLISH INCOMING INSPECTION ACCEPTANCE/REJECTION CRITERIA, CORRELATION OF TEST EQUIPMENT WITH KNOWLES IS ALSO REQUIRED FOR ELIMINATION OF EQUIPMENT AND TEST METHOD VARIATION

TITLE: **MICROPHONE** **FG-23329-D65**  
PERFORMANCE SPECIFICATION **SHT 2.1**

DR. BY	DATE
SDZ	7-27-09
CK. BY	DATE
GJP	7-27-09
APP. BY	DATE
GJP	7-27-09