

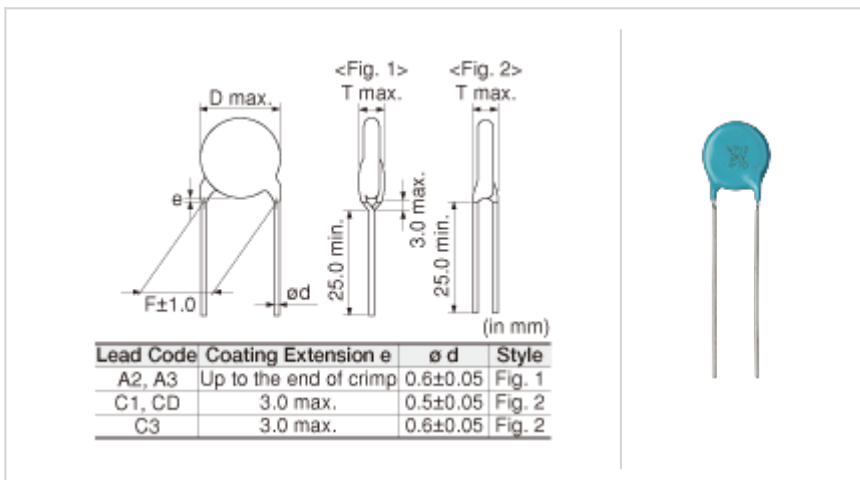
# DEA1X3A220JC1B

" # " indicates a package specification code.

Recommended  Complies with RoHS

< List of part numbers with package codes >  
DEA1X3A220JC1B

## Shape



## References

| Packaging | Specifications  | Minimum quantity |
|-----------|-----------------|------------------|
| B         | Packing in bulk | 500              |

|                                 |              |
|---------------------------------|--------------|
| L size or outer diameter D (mm) | 4.5 mm max.  |
| T size                          | 4.0 mm max.  |
| Lead spacing F                  | 5.0 ± 1.0mm  |
| Lead diameter d                 | 0.5 ± 0.05mm |
| Paint dripping e                | 3.0mm max.   |

## Specifications

|  |                   |
|--|-------------------|
| Capacitance                                      | 22pF ± 5%         |
| Rated voltage                                    | 1000Vdc           |
| Temperature characteristics (complied standard)  | SL(JIS)           |
| Temperature coefficient                          | +350 to -1000ppm/ |
| Temperature range of temperature characteristics | 20 to 85          |
| Operating temperature range                      | -25 to 125        |

### ⚠ Attention

- 1.This datasheet is downloaded from the website of Murata Manufacturing Co., Ltd. Therefore, it ' s specifications are subject to change or our products in it may be discontinued without advance notice. Please check with our sales representatives or product engineers before ordering.
- 2.This datasheet has only typical specifications because there is no space for detailed specifications. Therefore, please review our product specifications or consult the approval sheet for product specifications before ordering.