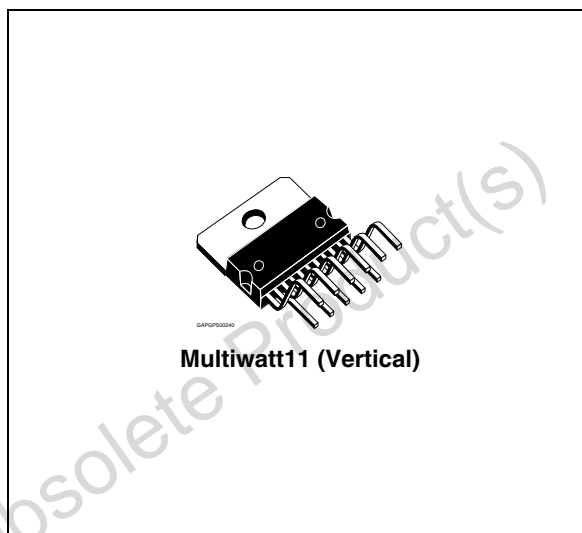


## 22 W bridge/stereo audio amplifier with clipping detector

### Features

- Very few external components
- No Boucherot cells
- No bootstrap capacitors
- High output power
- No switch on/off noise
- Very low standby current
- Fixed gain (20 dB stereo)
- Programmable turn-on delay
- Clipping detector
- Protections:
  - Output AC-DC short circuit to ground and to supply voltage
  - Very inductive loads
  - Loudspeaker protection
  - Overrating chip temperature
  - Load dump voltage
  - Fortuitous open ground
  - ESD



Thanks to the fully complementary PNP/NPN output configuration the high power performance of the TDA7360 is obtained without bootstrap capacitors.

A delayed turn-on mute circuit eliminates audible on/off noise, and a novel short circuit protection system prevents spurious intervention with highly inductive loads.

The device provides a circuit for the detection of clipping in the output stages. The output, an open collector, is able to drive systems with automatic volume control.

### Description

The TDA7360 is a new technology class AB Audio Power Amplifier in the Multiwatt® package designed for car radio applications.

**Table 1. Device summary**

Order code	Package	Packing
TDA7360	Multiwatt11 (vertical)	Tube

# Contents

<b>1</b>	<b>Block and pins connection diagram</b>	<b>6</b>
<b>2</b>	<b>Electrical specifications</b>	<b>8</b>
2.1	Absolute maximum ratings	8
2.2	Thermal data	8
2.3	Electrical characteristics	8
2.4	Test and application circuit	10
2.5	Electrical characteristics curves	12
<b>3</b>	<b>General description</b>	<b>15</b>
3.1	Amplifier organization	15
3.2	Block description	15
3.2.1	Polarization	15
3.2.2	SVR	15
3.2.3	Delayed turn-on (muting)	15
3.2.4	Stereo/bridge switching	16
3.2.5	Standby	16
3.2.6	Stability	16
3.2.7	Clip detector	17
3.2.8	Output stage	18
3.2.9	Amplifier block diagram	19
3.3	Built-in protection systems	20
3.3.1	Short circuit protection	20
3.3.2	Load dump voltage surge	20
3.3.3	Polarity inversion	21
3.4	Open ground	21
3.4.1	DC voltage	21
3.4.2	Thermal shut-down	22
3.4.3	Loudspeaker protection	22
<b>4</b>	<b>Application hints</b>	<b>23</b>
4.1	Reducing turn on-off pop	23
4.2	Turn-on	23

---

4.3	Turn-off .....	24
4.4	Global approach to solving pop problem by using the muting/turn-on delay function 25	
4.5	Balance input in bridge configuration .....	27
<b>5</b>	<b>Package information .....</b>	<b>28</b>
<b>6</b>	<b>Revision history .....</b>	<b>29</b>

Obsolete Product(s) - Obsolete Product(s)

## List of tables

Table 1.	Device summary . . . . .	1
Table 2.	Absolute maximum ratings . . . . .	8
Table 3.	Thermal data . . . . .	8
Table 4.	Electrical characteristics . . . . .	8
Table 5.	External components value of the stereo test and application circuits . . . . .	10
Table 6.	Document revision history . . . . .	29

Obsolete Product(s) - Obsolete Product(s)

## List of figures

Figure 1.	Block diagram (stereo configuration)	6
Figure 2.	Block diagram (bridge configuration)	6
Figure 3.	Pins connection (top view)	7
Figure 4.	Stereo test and application circuit	10
Figure 5.	Printed circuit board of the stereo application circuit	10
Figure 6.	Bridge test and application circuit	11
Figure 7.	Printed circuit board of the bridge application circuit	11
Figure 8.	Output power vs. supply voltage (Stereo, 4 $\Omega$ )	12
Figure 9.	Output power vs. supply voltage (Stereo, 2 $\Omega$ )	12
Figure 10.	Output power vs. supply voltage (Stereo, 3.2 $\Omega$ )	12
Figure 11.	Output power vs. supply voltage (Bridge, 4 $\Omega$ )	12
Figure 12.	Output power vs. supply voltage (Bridge, 3.2 $\Omega$ )	12
Figure 13.	Drain current vs. supply voltage (Stereo)	12
Figure 14.	Distortion vs. output power (Stereo, 4 $\Omega$ )	13
Figure 15.	Distortion vs. output power (Stereo, 3.2 $\Omega$ )	13
Figure 16.	Distortion vs. output power (Stereo, 2 $\Omega$ )	13
Figure 17.	Distortion vs. output power (Bridge, 4 $\Omega$ )	13
Figure 18.	Distortion vs. output power (Bridge, 3.2 $\Omega$ )	13
Figure 19.	SVR vs. frequency and C3 (Stereo)	13
Figure 20.	SVR vs. frequency and C3 (Bridge)	14
Figure 21.	Crosstalk vs. frequency (Stereo)	14
Figure 22.	Power dissipation and efficiency vs. output power (Stereo, 2 $\Omega$ )	14
Figure 23.	Power dissipation and efficiency vs. output power (Stereo, 4 $\Omega$ )	14
Figure 24.	Power dissipation and efficiency vs. output power (Bridge, 4 $\Omega$ )	14
Figure 25.	Power dissipation and efficiency vs. output power (Bridge, 3.2 $\Omega$ )	14
Figure 26.	Turn-on delay circuit	16
Figure 27.	Mute function diagram	17
Figure 28.	Dual channel distortion detector	17
Figure 29.	Output at clipping detector pin vs. signal distortion	17
Figure 30.	ICV - PNP gain vs. IC	18
Figure 31.	ICV - PNP VCE(sat) vs. IC	18
Figure 32.	ICV - PNP cut-off frequency vs. IC	18
Figure 33.	The new output stage	19
Figure 34.	A classical output stage	19
Figure 35.	Amplifier block diagram	19
Figure 36.	Circuitry for short circuit detection	20
Figure 37.	Suggested LC network circuit	21
Figure 38.	Voltage gain bridge configuration	21
Figure 39.	Maximum allowable power dissipation vs. ambient temperature	22
Figure 40.	Restart circuit	22
Figure 41.	Output waveforms compared to the values of C <sub>svr</sub>	24
Figure 42.	ST-BY pin supply circuit, example 1	25
Figure 43.	ST-BY pin supply circuit, example 2	25
Figure 44.	Suggested muting circuit during amplifier switch-on and switch-off	26
Figure 45.	Timing diagram for the circuit depicted in fig. 44	26
Figure 46.	Modification of the circuit depicted in fig.44 to drive two amplifiers	26
Figure 47.	Balance input bridge configuration, example 1	27
Figure 48.	Balance input bridge configuration, example 2	27
Figure 49.	Multiwatt11 (vertical) mechanical data and package dimensions	28

# 1 Block and pins connection diagram

Figure 1. Block diagram (stereo configuration)

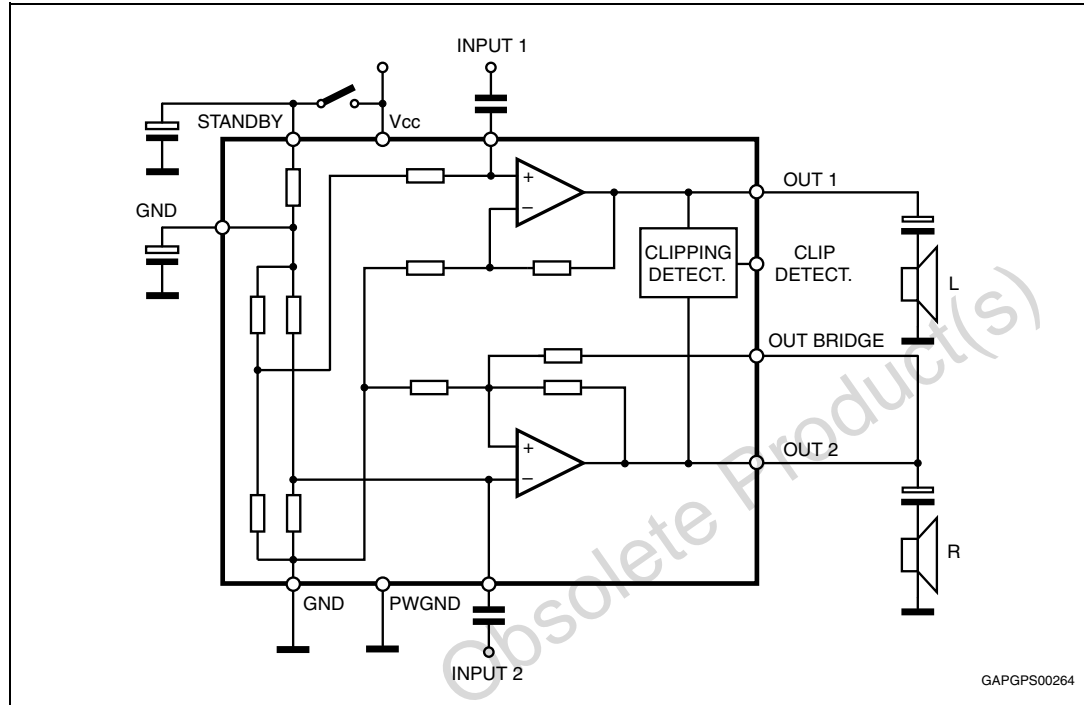


Figure 2. Block diagram (bridge configuration)

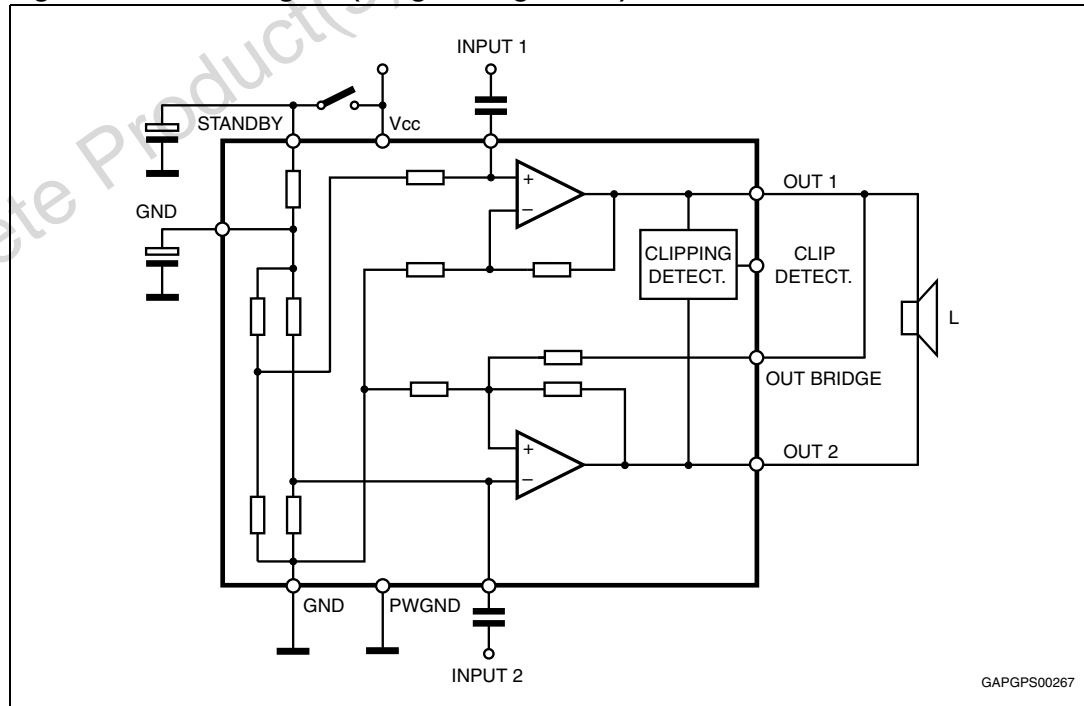
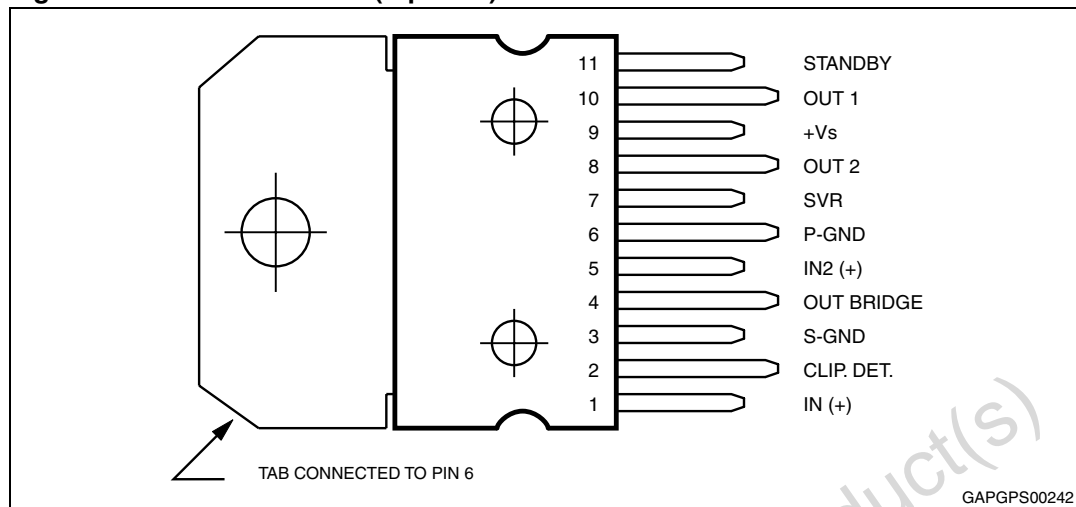


Figure 3. Pins connection (top view)



Obsolete Product(s) - Obsolete Product(s)

## 2 Electrical specifications

### 2.1 Absolute maximum ratings

Table 2. Absolute maximum ratings

Symbol	Parameter	Value	Unit
$V_S$	Operating supply voltage	18	V
$V_S$	DC supply voltage	28	V
$V_S$	Peak supply voltage (t = 50 ms)	50	V
$I_O$	Output peak current (non rep. t = 100 $\mu$ s)	5	A
$I_O$	Output peak current (rep. freq. > 10 Hz)	4	A
$P_{tot}$	Power dissipation at $T_{case} = 85\text{ }^\circ\text{C}$	36	W
$T_{stg}, T_j$	Storage and junction temperature	-40 to 150	$^\circ\text{C}$

### 2.2 Thermal data

Table 3. Thermal data

Symbol	Parameter	Value	Unit
$R_{thj-case}$	Thermal resistance junction-to-case	Max. 1.8	$^\circ\text{C/W}$

### 2.3 Electrical characteristics

Refer to the test circuits,  $T_{amb} = 25\text{ }^\circ\text{C}$ ,  $V_S = 14.4\text{ V}$ ,  $f = 1\text{ kHz}$  unless otherwise specified.

Table 4. Electrical characteristics

Symbol	Parameter	Test condition	Min.	Typ.	Max.	Unit
$V_S$	Supply voltage range	-	8	-	18	V
$I_d$	Total quiescent drain current	Stereo configuration	-	-	120	mA
$A_{SB}$	Standby attenuation	-	60	80	-	dB
$I_{SB}$	Standby current	-	-	-	100	$\mu\text{A}$
$I_{CO}$	Clip detector average current	Pin 2 pull up to 5 V with 10 k $\Omega$ d = 1% d = 5%	-	70 130	-	$\mu\text{A}$
<b>Stereo</b>						
$P_o$	Output power (each channel)	d = 10% $R_L = 1.6\ \Omega$ $R_L = 2\ \Omega$ $R_L = 3.2\ \Omega$ $R_L = 4\ \Omega$	7	12 11 8 6.5	-	W



Table 4. Electrical characteristics (continued)

Symbol	Parameter	Test condition	Min.	Typ.	Max.	Unit
d	Distortion	$P_o = 0.1$ to $4$ W; $R_L = 3.2 \Omega$	-	0.05	0.5	%
SVR	Supply voltage rejection	$R_g = 10$ k $\Omega$ , $f = 100$ Hz $C_3 = 22 \mu$ F $C_3 = 100 \mu$ F	45	62	-	dB
$C_T$	Crosstalk	$f = 1$ kHz $f = 10$ kHz	45	55	-	dB
$R_I$	Input resistance	-	-	50	-	k $\Omega$
$G_V$	Voltage gain	-	-	20	-	dB
$G_V$	Voltage gain match	-	-	-	1	dB
$E_{IN}$	Input noise voltage	22 Hz to 22 kHz $R_g = 50 \Omega$ $R_g = 10$ k $\Omega$ $R_g = \infty$	-	2.5 3 3.5	7	$\mu$ V
<b>Bridge</b>						
$V_{OS}$	Output offset voltage	-	-	-	250	mV
$P_o$	Output power	$d = 10\%$ ; $R_L = 4 \Omega$ $d = 10\%$ ; $R_L = 3.2 \Omega$	16	20 22	-	W
d	Distortion	$P_o = 0.1$ to $10$ W; $R_L = 3.2 \Omega$	-	0.05	1	%
SVR	Supply voltage rejection	$R_g = 10$ k $\Omega$ $f = 100$ Hz $C_3 = 22 \mu$ F $C_3 = 100 \mu$ F	45	62	-	dB
$R_I$	Input resistance	-	-	50	-	k $\Omega$
$G_V$	Voltage gain	-	-	26	-	dB
$E_{IN}$	Input noise voltage	22 Hz to 22 kHz $R_g = 50 \Omega$ $R_g = 10$ k $\Omega$	-	3.5 4	-	$\mu$ V

## 2.4 Test and application circuit

Figure 4. Stereo test and application circuit

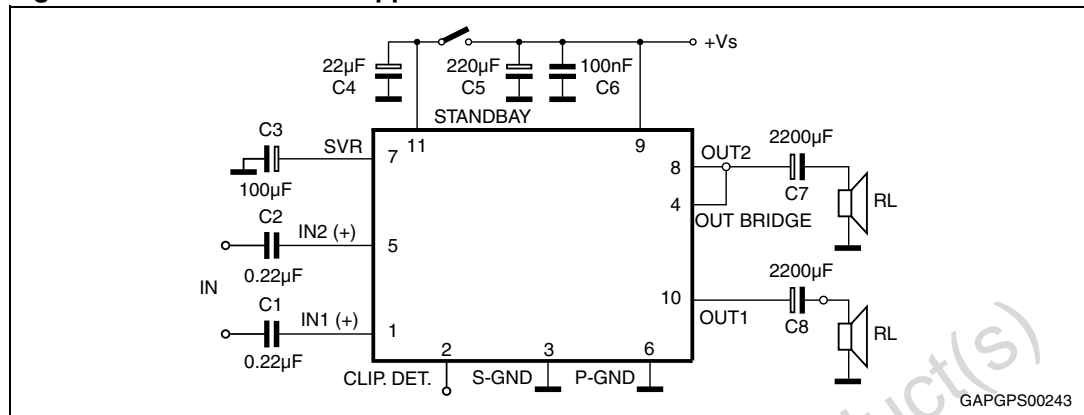


Figure 5. Printed circuit board of the stereo application circuit

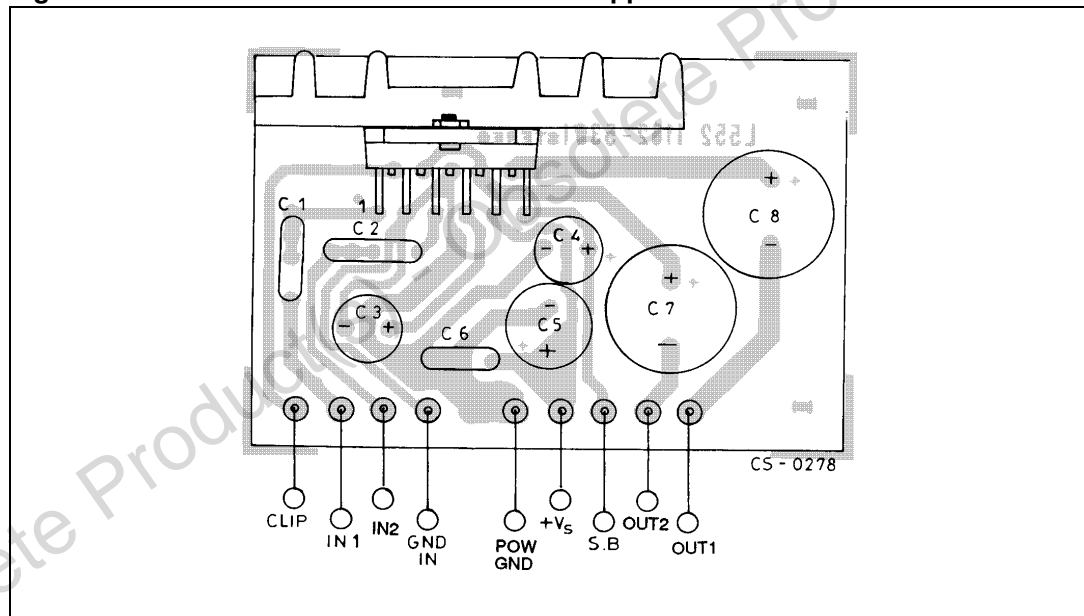


Table 5. External components value of the stereo test and application circuits

Component	Recomm. value	Purpose	Larger than the recomm. value	Smaller than the recomm. value
C1	0.22µF	Input Decoupling (CH1)	-	-
C2	0.22µF	Input Decoupling (CH2)	-	-
C3	100µF	Supply voltage Rejection Filtering Capacitor	Longer turn-on delay time	<ul style="list-style-type: none"> <li>- Worse supply voltage rejection.</li> <li>- Shorter turn-on delay time</li> <li>- DangEr Of Noise (POP)</li> </ul>

Table 5. External components value of the stereo test and application circuits (continued)

Component	Recomm. value	Purpose	Larger than the recomm. value	Smaller than the recomm. value
C4	22 $\mu$ F	Standby ON/OFF delay	Delayed turn-off by standby switch	Danger of noise (POP)
C5	220 $\mu$ F (min)	Supply by-pass	-	Danger of oscillations
C6	100nF (min)	Supply by-pass	-	Danger of oscillations
C7	2200 $\mu$ F	Output Decoupling CH2	- Decrease of low frequency cut-off - Longer turn-on delay	- Increase of low frequency cut-off - Shorter turn-on delay

Figure 6. Bridge test and application circuit

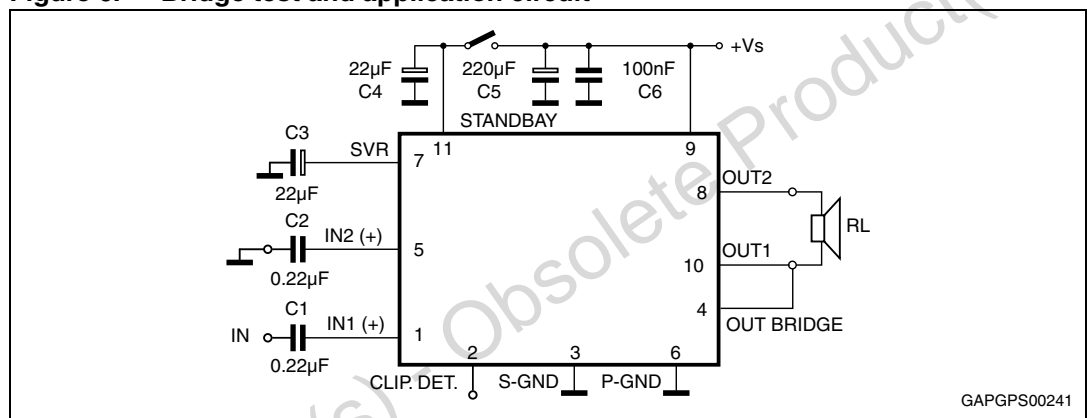
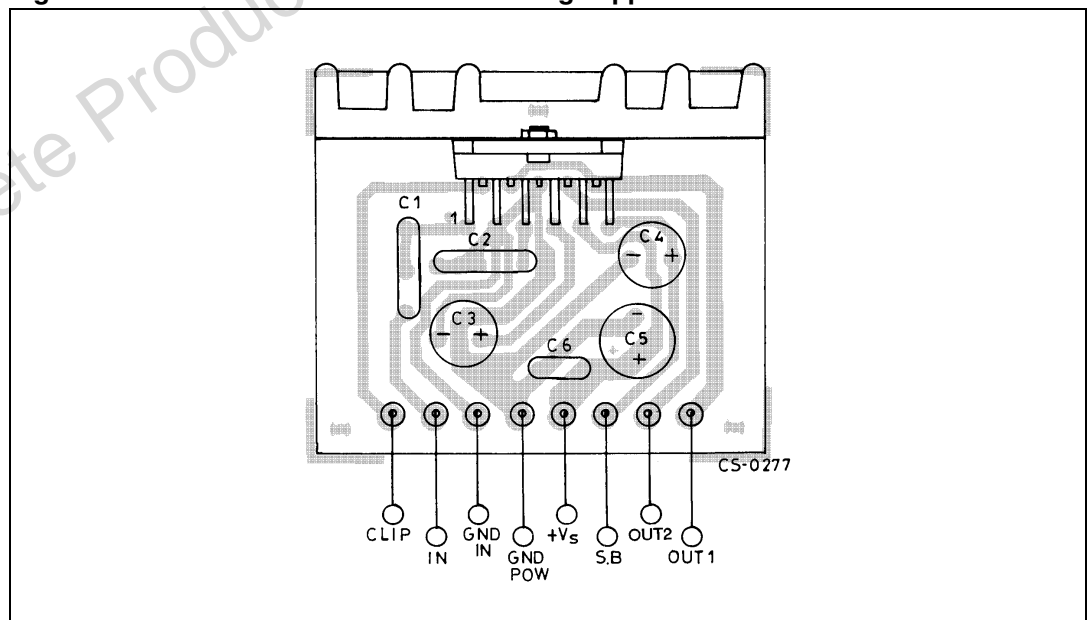
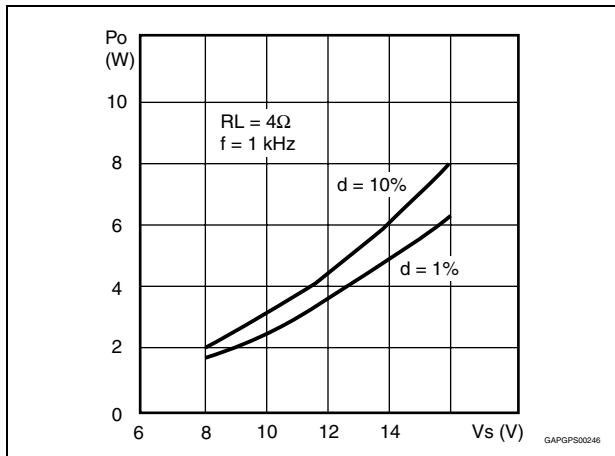


Figure 7. Printed circuit board of the bridge application circuit

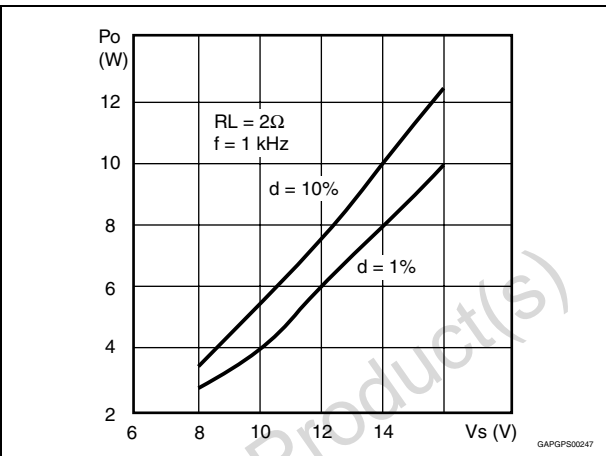


## 2.5 Electrical characteristics curves

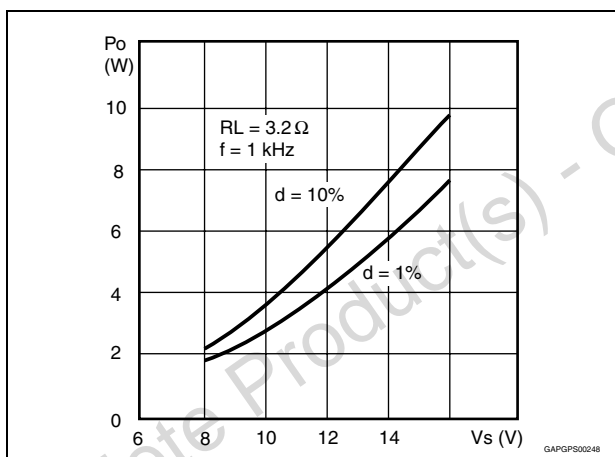
**Figure 8. Output power vs. supply voltage (Stereo, 4 Ω)**



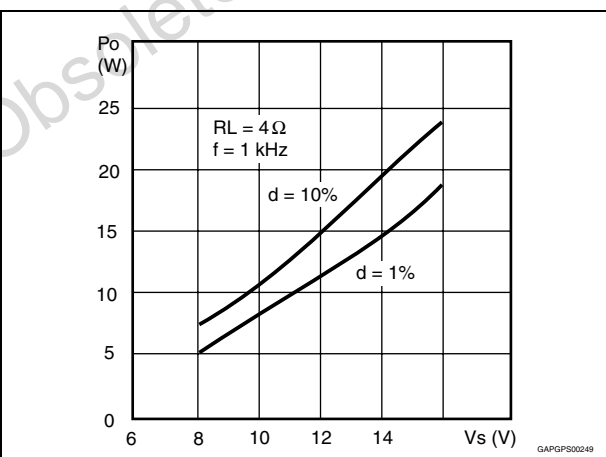
**Figure 9. Output power vs. supply voltage (Stereo, 2 Ω)**



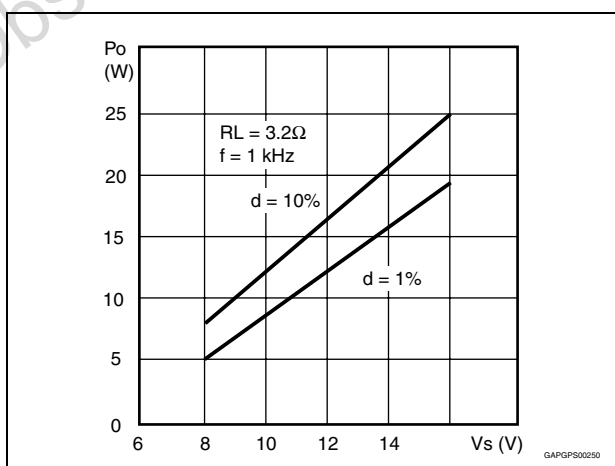
**Figure 10. Output power vs. supply voltage (Stereo, 3.2 Ω)**



**Figure 11. Output power vs. supply voltage (Bridge, 4 Ω)**



**Figure 12. Output power vs. supply voltage (Bridge, 3.2 Ω)**



**Figure 13. Drain current vs. supply voltage (Stereo)**

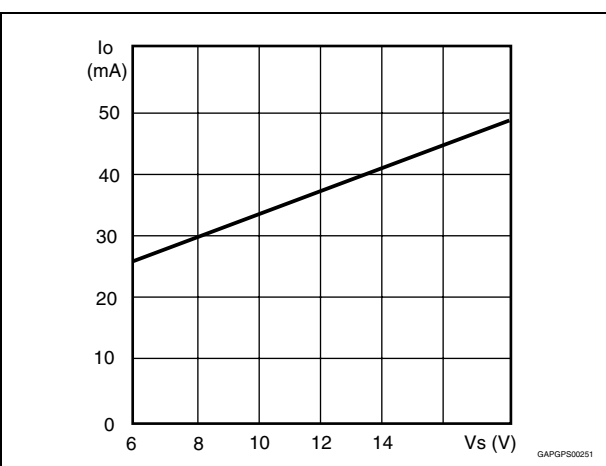


Figure 14. Distortion vs. output power (Stereo, 4 Ω)

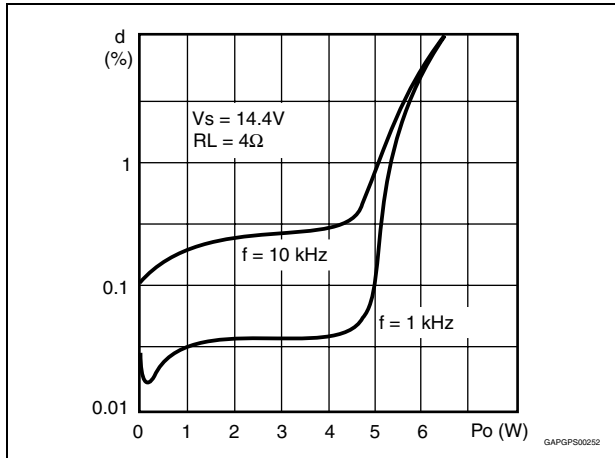


Figure 15. Distortion vs. output power (Stereo, 3.2 Ω)

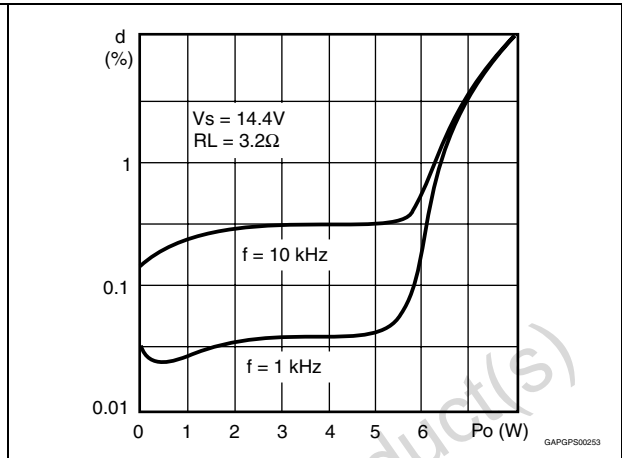


Figure 16. Distortion vs. output power (Stereo, 2 Ω)

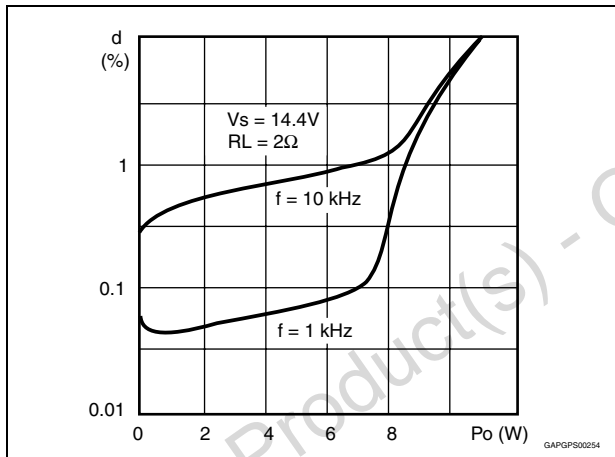


Figure 17. Distortion vs. output power (Bridge, 4 Ω)

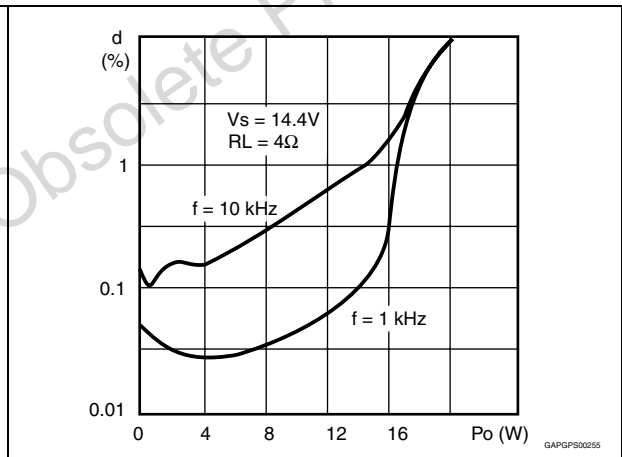


Figure 18. Distortion vs. output power (Bridge, 3.2 Ω)

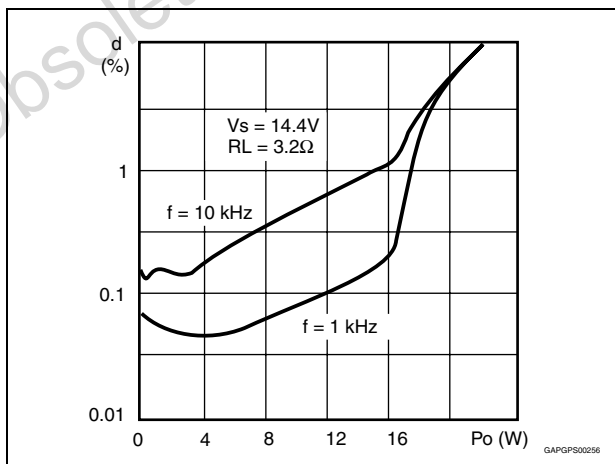


Figure 19. SVR vs. frequency and C3 (Stereo)

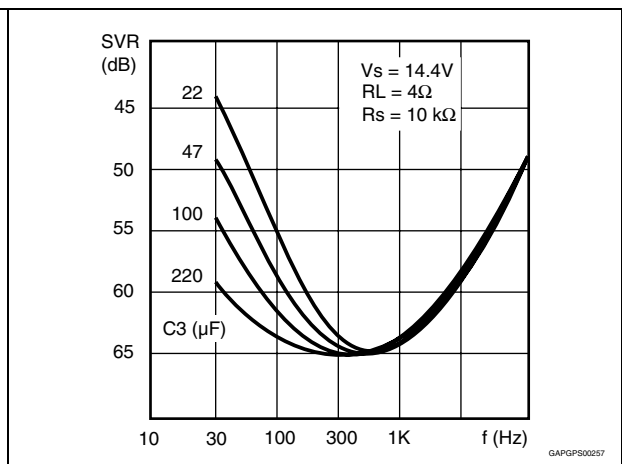


Figure 20. SVR vs. frequency and C3 (Bridge)      Figure 21. Crosstalk vs. frequency (Stereo)

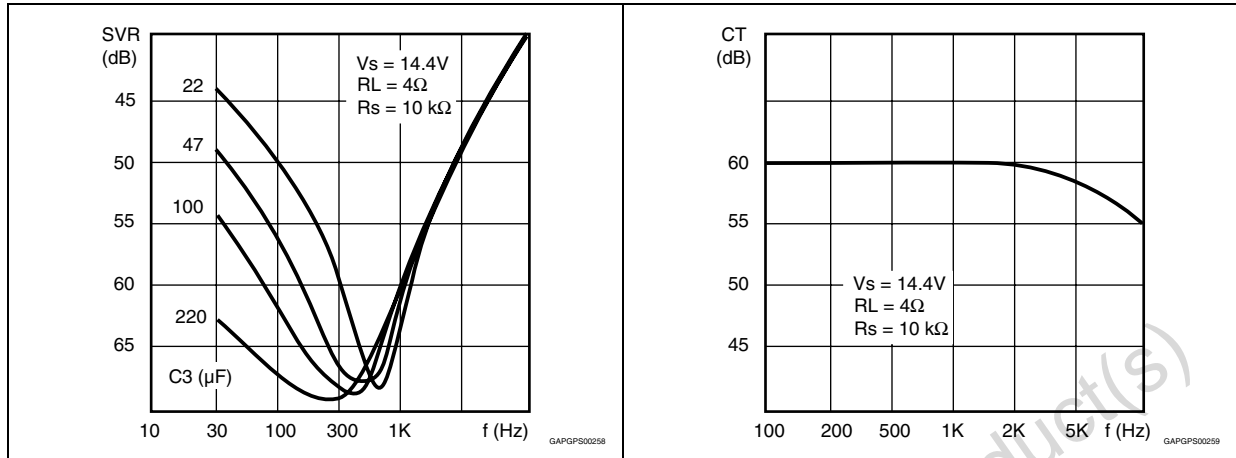


Figure 22. Power dissipation and efficiency vs. output power (Stereo, 2 Ω)      Figure 23. Power dissipation and efficiency vs. output power (Stereo, 4 Ω)

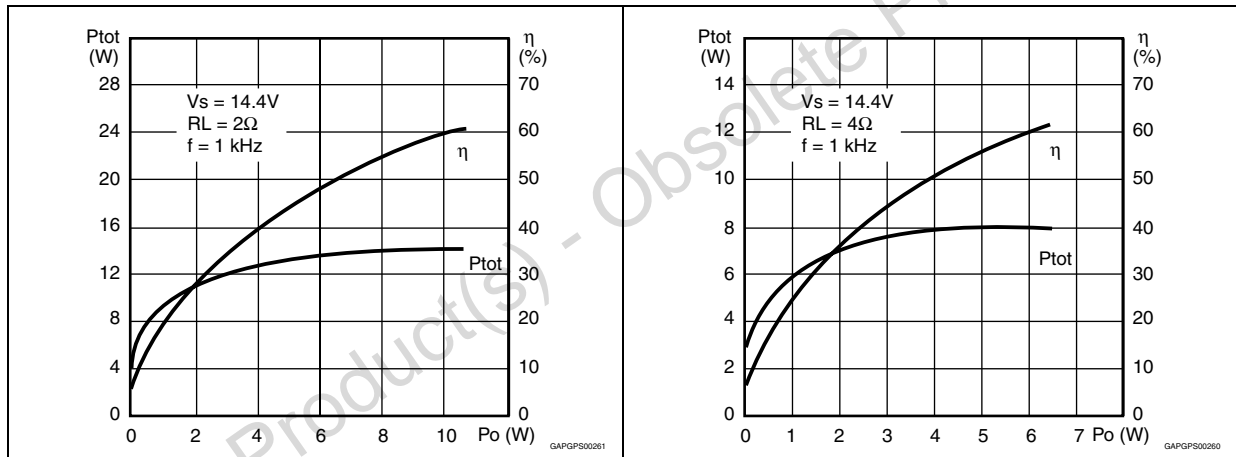
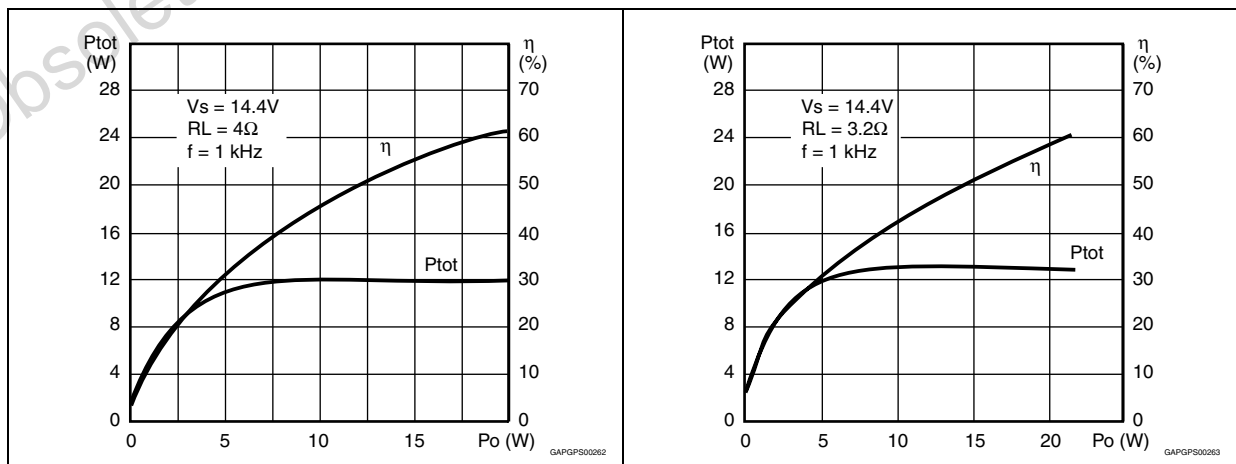


Figure 24. Power dissipation and efficiency vs. output power (Bridge, 4 Ω)      Figure 25. Power dissipation and efficiency vs. output power (Bridge, 3.2 Ω)



## 3 General description

### 3.1 Amplifier organization

The TDA7360 has been developed taking care of the key concepts of the modern power audio amplifier for car radio such as: space and costs saving due to the minimized external count, excellent electrical performances, flexibility in use, superior reliability thanks to a built-in array of protections. As a result the following performances has been achieved:

- No need of bootstrap capacitors even at the highest output power levels
- Absolute stability without external compensation thanks to the innovative out stage configuration, also allowing internally fixed closed loop lower than competitors
- Low gain (20 dB stereo fixed without any external components) in order to minimize the output noise and optimize SVR
- Silent Mute/Standby function featuring absence of pop ON/OFF noise
- high SVR
- Stereo/bridge operation without addition of external component
- AC/DC short circuit protection (to GND, to  $V_S$ , across the load)
- Loudspeaker protection
- Dump protection
- ESD protection

### 3.2 Block description

#### 3.2.1 Polarization

The device is organized with the gain resistors directly connected to the signal ground pin i.e. without gain capacitors ([Figure 1](#)).

The non inverting inputs of the amplifiers are connected to the SVR pin by means of resistor dividers, equal to the feedback networks. This allows the outputs to track the SVR pin which is sufficiently slow to avoid audible turn-on and turn-off transients.

#### 3.2.2 SVR

The voltage ripple on the outputs is equal to the one on SVR pin: with appropriate selection of CSV<sub>R</sub>, more than 60dB of ripple rejection can be obtained.

#### 3.2.3 Delayed turn-on (muting)

The  $C_{SVR}$  sets a signal turn-on delay too. A circuit is included which mutes the device until the voltage on SVR pin reaches  $\sim 2.5V$  typ ([Figure 1](#)). The mute function is obtained by duplicating the input differential pair ([Figure 27](#)): it can be switched to the signal source or to an internal mute input. This feature is necessary to prevent transients at the inputs reaching the loudspeaker(s) immediately after power-on).

[Figure 1](#) represents the detailed turn-on transient with reference to the stereo configuration. At the power-on the output decoupling capacitors are charged through an internal path but the device itself remains switched off (Phase 1 of the represented diagram).

When the outputs reach the voltage level of about 1V (this means that there is no presence of short circuits) the device switches on, the SVR capacitor starts charging itself and the output tracks exactly the SVR pin.

During this phase the device is muted until the SVR reaches the "Play" threshold (~2.5V typ.), after that the music signal starts being played.

### 3.2.4 Stereo/bridge switching

There is also no need for external components for changing from stereo to bridge configuration (Figure 26, 27, 28 and 2). A simple short circuit between two pins allows phase reversal at one output, yet maintaining the quiescent output voltage.

### 3.2.5 Standby

The device is also equipped with a stand-by function, so that a low current, and hence low cost switch, can be used for turn on/off.

### 3.2.6 Stability

The device is provided with an internal compensation which allows to reach low values of closed loop gain.

In this way better performances on S/N ratio and SVR can be obtained.

Figure 26. Turn-on delay circuit

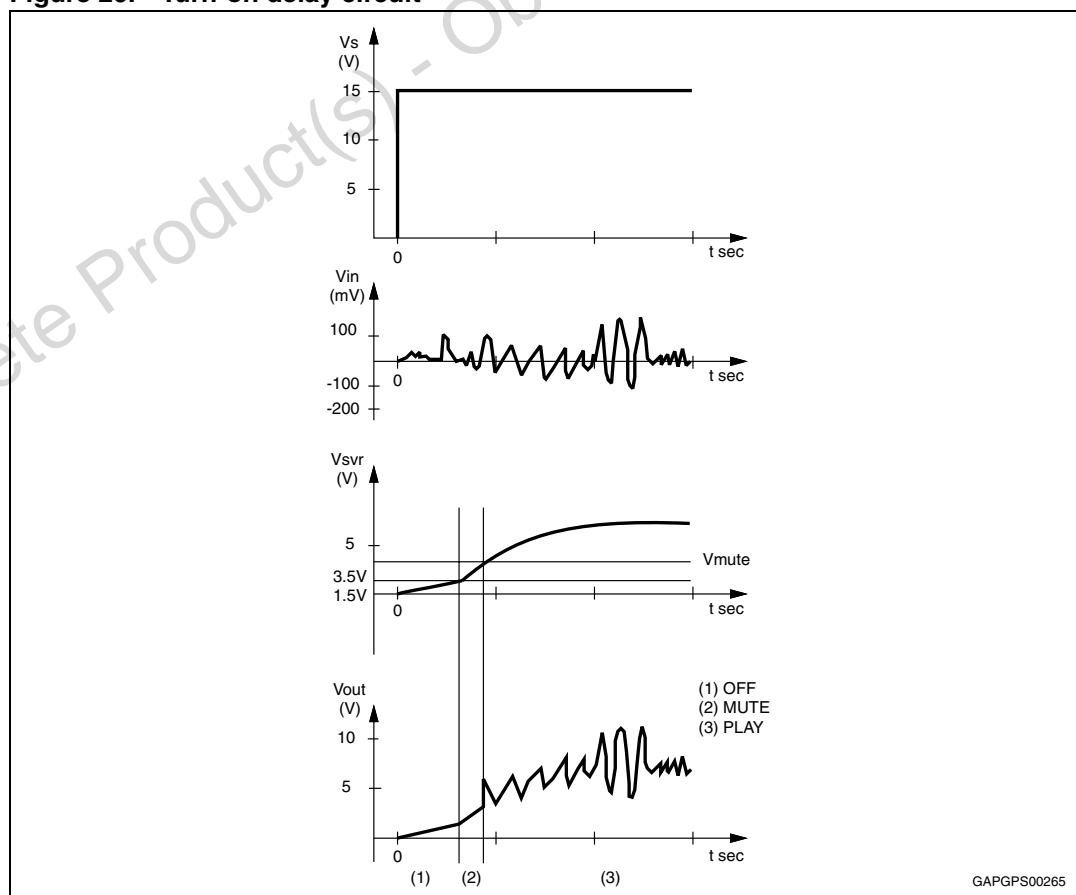
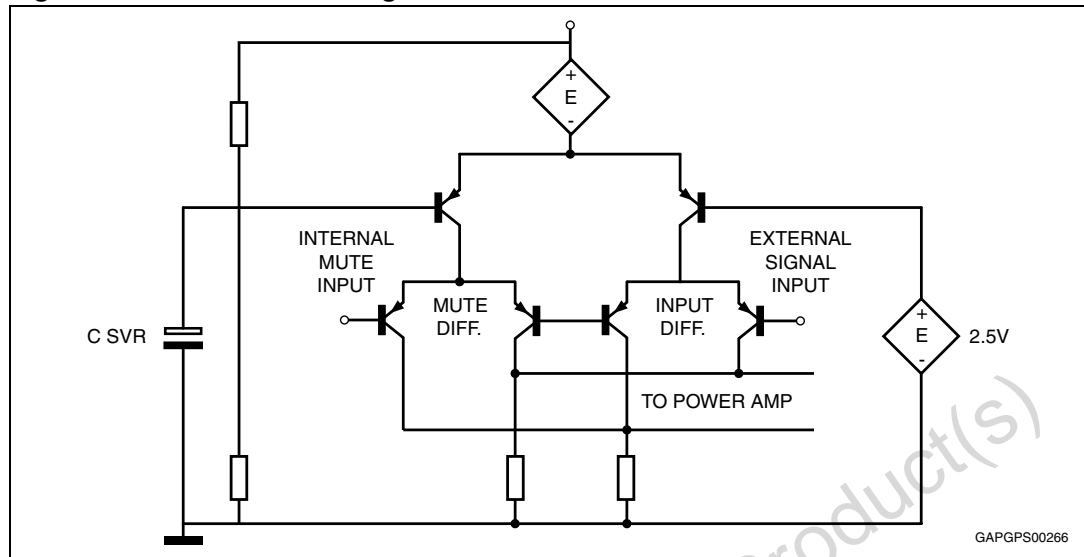




Figure 27. Mute function diagram



### 3.2.7 Clip detector

The TDA7360 is equipped with an internal circuit able to detect the output stage saturation providing a proper current sinking into an open collector out. pin 2) when a certain distortion level is reached at each output. This particular function allows compression facility whenever the amplifier is over driven, so obtaining high quality sound at all listening levels.

Figure 28. Dual channel distortion detector

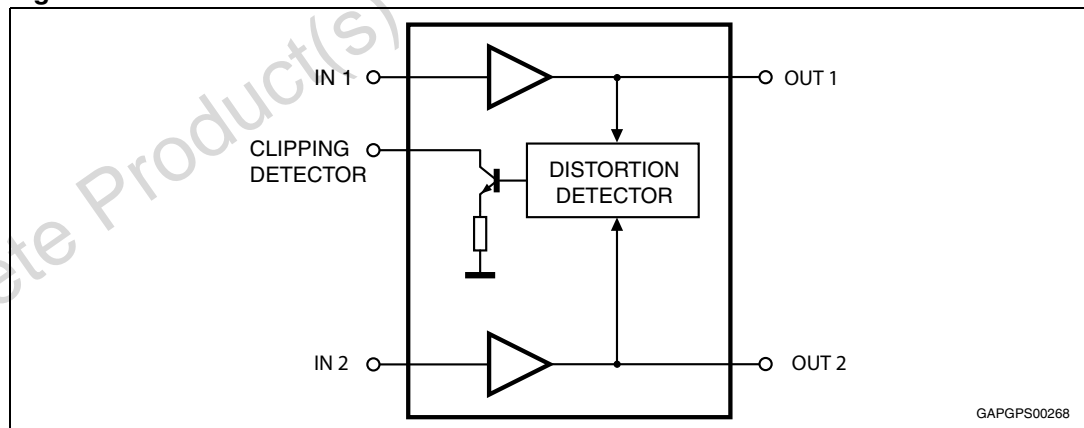


Figure 29. Output at clipping detector pin vs. signal distortion

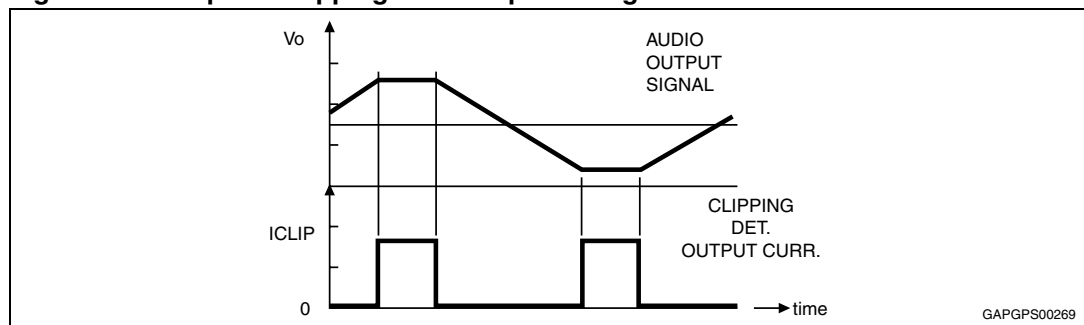


Figure 30. ICV - PNP gain vs.  $I_C$

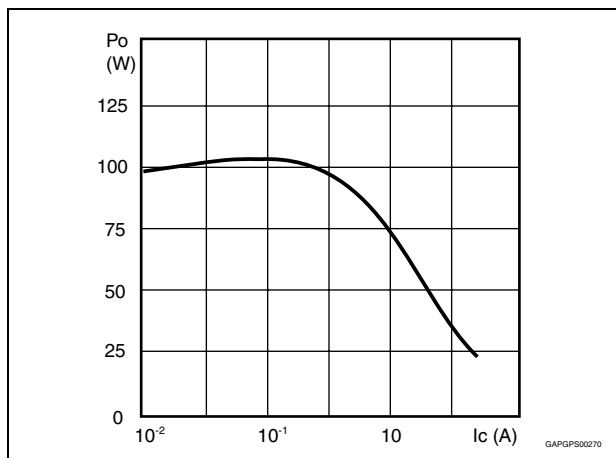


Figure 31. ICV - PNP  $V_{CE(sat)}$  vs.  $I_C$

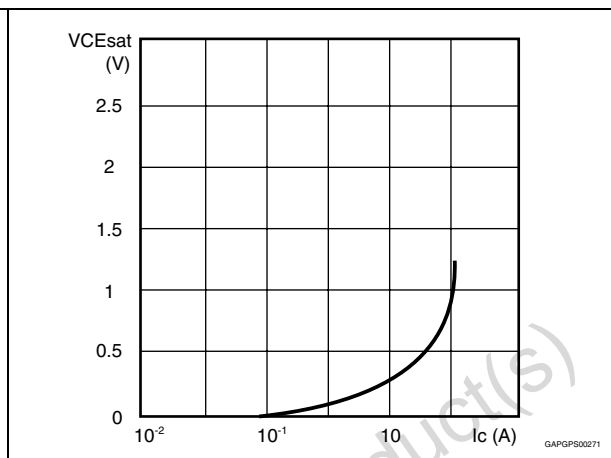
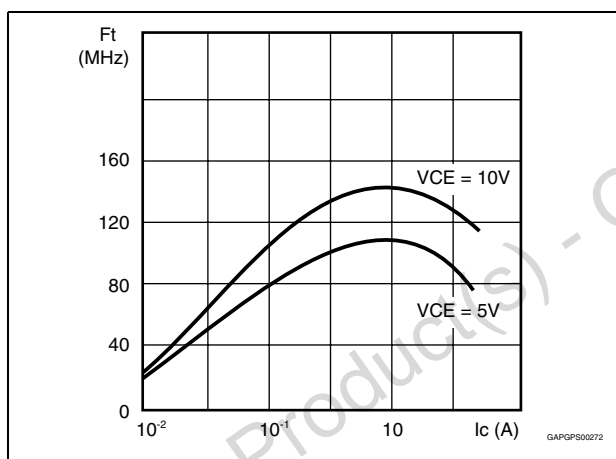


Figure 32. ICV - PNP cut-off frequency vs.  $I_C$



### 3.2.8 Output stage

Poor current capability and low cutoff frequency are well known limits of the standard lateral PNP.

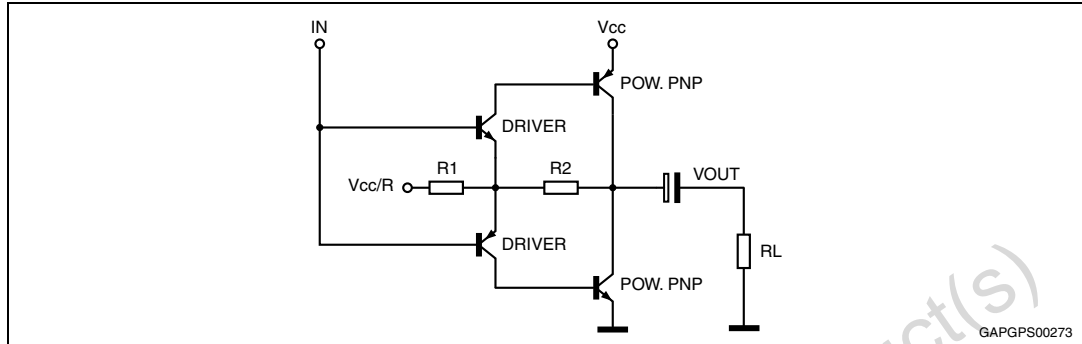
Composite PNP-NPN power output stages have been widely used, regardless their high saturation drop. This drop can be overcome only at the expense of external components, namely, the bootstrap capacitors. The availability of 4A isolated collector PNP (ICV PNP) adds versatility to the design.

The performance of this component, in terms of gain,  $V_{CE(sat)}$  and cut-off frequency, is shown in [Figure 30](#), [31](#), [32](#) respectively. It is realized in a new bipolar technology, characterized by top bottom isolation techniques, allowing the implementation of low leakage diodes, too. It guarantees  $BV_{CEO} > 20V$  and  $BV_{CBO} > 50V$  both for NPN and PNP transistors.

Basically, the connection shown in [Figure 33](#) has been chosen. First of all because its voltage swing is rail-to-rail, limited only by the  $V_{CE(sat)}$  of the output transistors, which are in the range of 0.3V each. Then, the gain  $V_{OUT}/V_{IN}$  is greater than unity, approximately  $1 + R_2/R_1$ . ( $V_{CC}/2$  is fixed by an auxiliary amplifier common to both channel).

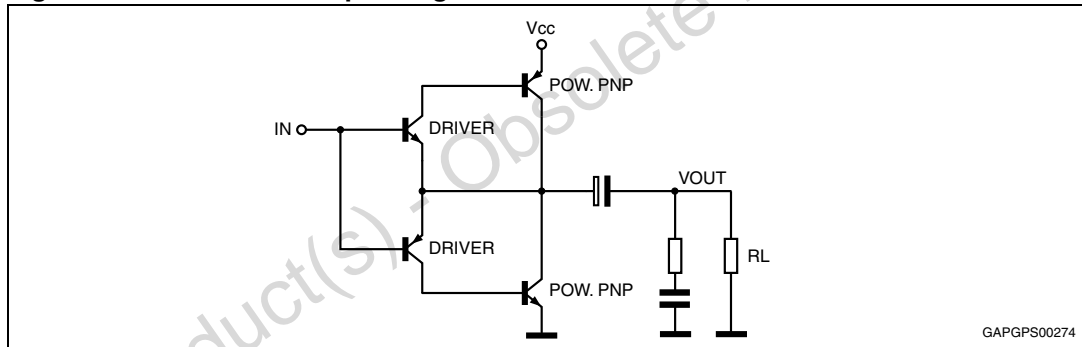
It is possible, controlling the amount of this local feedback, to force the loop gain ( $A \cdot \beta$ ) to less than unity at frequencies for which the phase shift is  $180^\circ$ . This means that the output buffer is intrinsically stable and not prone to oscillation.

**Figure 33. The new output stage**



In contrast, with the circuit of [Figure 34](#), the solution adopted to reduce the gain at high frequencies is the use of an external RC network.

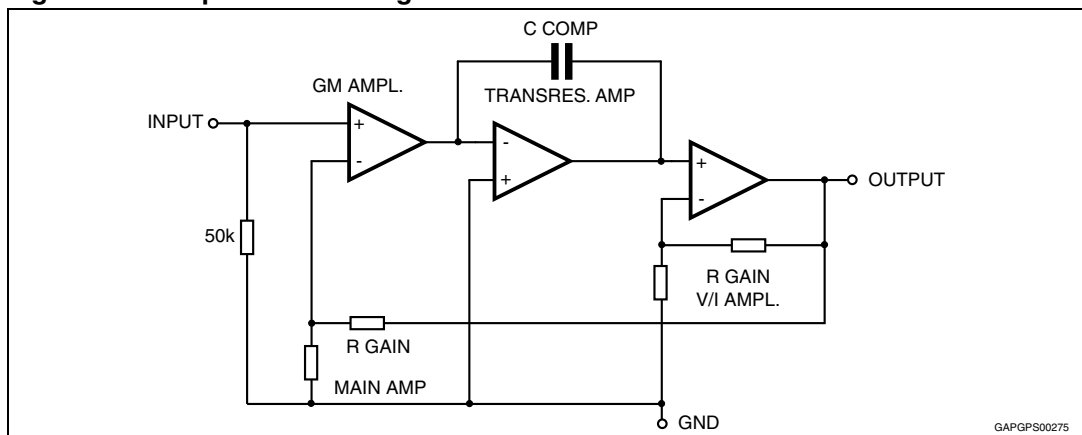
**Figure 34. A classical output stage**



### 3.2.9 Amplifier block diagram

The block diagram of each voltage amplifier is shown in [Figure 35](#). Regardless of production spread, the current in each final stage is kept low, with enough margin on the minimum, below which cross-over distortion would appear.

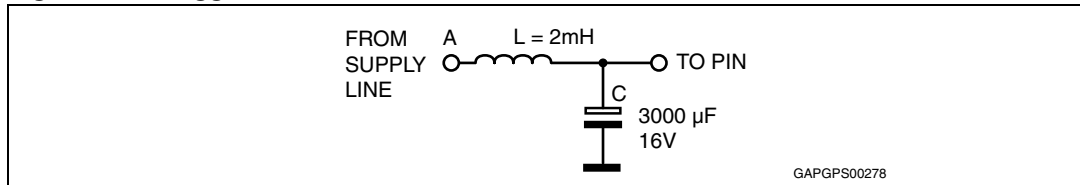
**Figure 35. Amplifier block diagram**



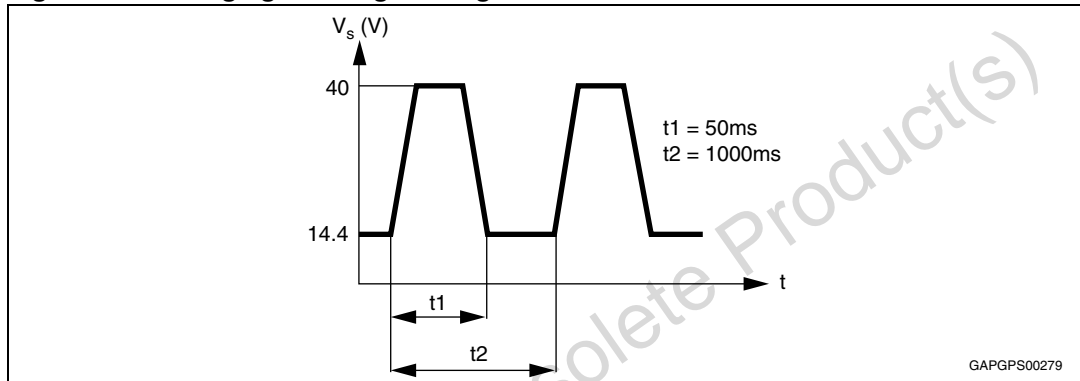


ON when the supply voltage (pulse or DC) exceeds 18V. For this reason the maximum operating supply voltage is 18V.

**Figure 37. Suggested LC network circuit**



**Figure 38. Voltage gain bridge configuration**



### 3.3.3 Polarity inversion

High current (up to 10A) can be handled by the device with no damage for a longer period than the blow-out time of a quick 2A fuse (normally connected in series with the supply). This feature is added to avoid destruction, if during fitting to the car, a mistake on the connection of the supply is made.

## 3.4 Open ground

When the radio is in the ON condition and the ground is accidentally opened, a standard audio amplifier will be damaged. On the TDA7360 protection diodes are included to avoid any damage.

### 3.4.1 DC voltage

The maximum operating DC voltage for the TDA7360 is 18V. However the device can withstand a DC voltage up to 28V with no damage.

This could occur during winter if two batteries are series connected to crank the engine.

### 3.4.2 Thermal shut-down

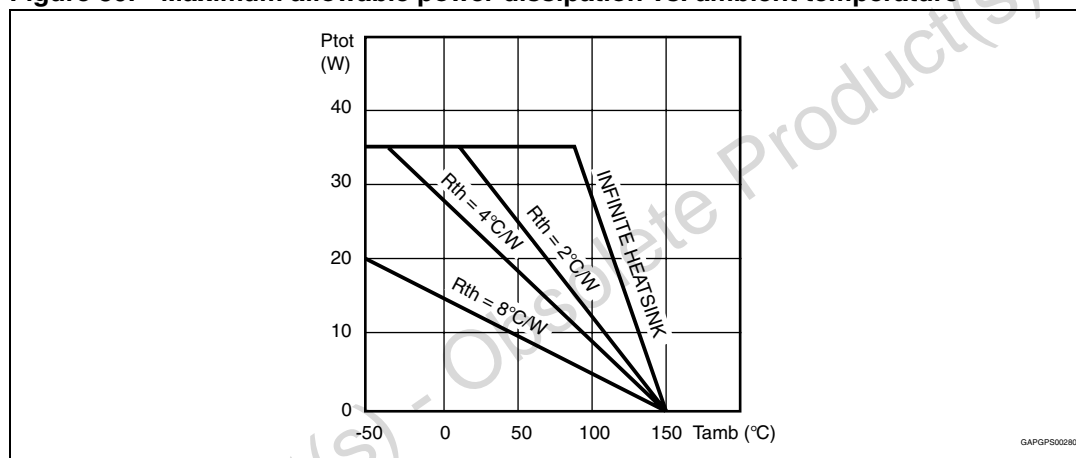
The presence of a thermal limiting circuit offers the following advantages:

an overload on the output (even if it is permanent), or an excessive ambient temperature can be easily withstood.

the heatsink can have a smaller factor of safety compared with that of a conventional circuit. There is no device damage in the case of excessive junction temperature: all happens is that  $P_o$  (and therefore  $P_{tot}$ ) and  $I_d$  are reduced.

The maximum allowable power dissipation depends upon the size of the external heatsink (i.e. its thermal resistance); *Figure 39* shows the dissipable power as a function of ambient temperature for different thermal resistance.

**Figure 39. Maximum allowable power dissipation vs. ambient temperature**

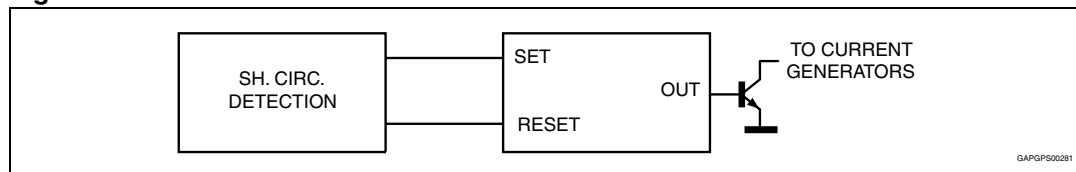


### 3.4.3 Loudspeaker protection

The TDA7360 guarantees safe operations even for the loudspeaker in case of accidental short-circuit.

Whenever a single OUT to GND, OUT to  $V_S$  short circuit occurs both the outputs are switched OFF so limiting dangerous DC current flowing through the loudspeaker.

**Figure 40. Restart circuit**



## 4 Application hints

This section explains briefly how to get the best from the TDA7360 and presents some application circuits with suggestions for the value of the components. These values can change depending on the characteristics that the designer of the car radio wants to obtain, or other parts of the car radio that are connected to the audio block.

To optimize the performance of the audio part it is useful (or indispensable) to analyze also the parts outside this block that can have an interconnection with the amplifier.

This method can provide components and system cost saving.

### 4.1 Reducing turn on-off pop

The TDA7360 has been designed in a way that the turn-on (off) transients are controlled through the charge (discharge) of the  $C_{svr}$  capacitor.

As a result of it, the turn-on (off) transient spectrum contents is limited only to the subsonic range. The following section gives some brief notes to get the best from this design feature (it will refer mainly to the stereo application which appears to be in most cases the more critical from the pop viewpoint. The bridge connection in fact, due to the common mode waveform at the outputs, does not give pop effect).

### 4.2 Turn-on

*Figure 41* shows the output waveform (before and after the "A" weighting filter) compared to the value of  $C_{svr}$ .

Better pop-on performance is obtained with higher  $C_{svr}$  values (the recommended range is from 22 $\mu$ F to 220 $\mu$ F).

The turn-on delay (during which the amplifier is in mute condition) is a function essentially of:  $C_{out}$ ,  $C_{svr}$ . Being:

$$T1 \approx 120 \cdot C_{out}$$

$$T2 \approx 1200 \cdot C_{svr}$$

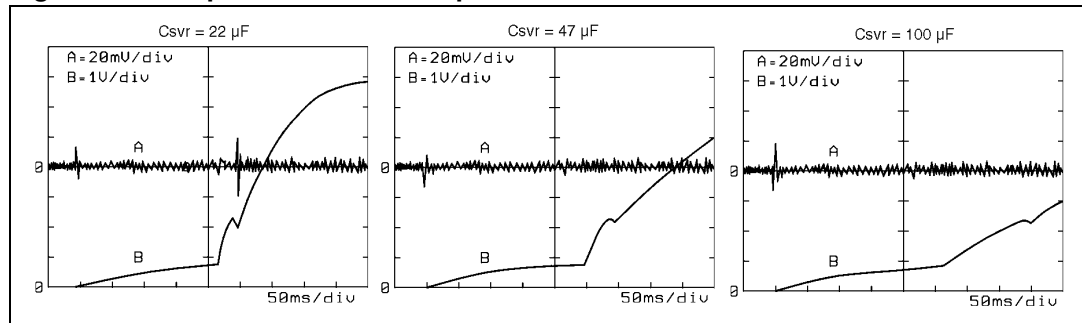
The turn-on delay is given by:

$$T1+T2 \text{ STEREO}$$

$$T2 \text{ BRIDGE}$$

The best performance is obtained by driving the st-by pin with a ramp having a slope slower than 2V/ms.

Figure 41. Output waveforms compared to the values of C<sub>svr</sub>



### 4.3 Turn-off

A turn-off pop can occur if the standby pin goes low with a short time constant (this can occur if other car radio sections, preamplifiers, radio are supplied through the same standby switch).

This pop is due to the fast switch-off of the internal current generator of the amplifier.

If the voltage present across the load becomes rapidly zero (due to the fast switch off) a small pop occurs, depending also on C<sub>out</sub>, R<sub>load</sub>.

The parameters that set the switch off time constant of the st-by pin are:

- the standby capacitor (C<sub>st-by</sub>)
- the SVR capacitor (C<sub>svr</sub>)
- resistors connected from st-by pin to ground (R<sub>ext</sub>)

The time constant is given by:

$$T \approx C_{svr} \cdot 2000\Omega // R_{ext} + C_{st-by} \cdot 2500\Omega // R_{ext}$$

The suggested time constants are:

$$T > 120 \text{ ms with } C_{out} = 1000\mu\text{F}, R_L = 4 \text{ ohm, stereo}$$

$$T > 170 \text{ ms with } C_{out} = 2200\mu\text{F}, R_L = 4 \text{ ohm, stereo}$$

If R<sub>ext</sub> is too low the C<sub>svr</sub> can become too high and a different approach may be useful (see next section).

Figure 42 and 43 show some types of electronic switches (µP compatible) suitable for supplying the st-by pin (it is important that Q<sub>sw</sub> is able to saturate with V<sub>CE</sub> ≤ 150 mV).

Also for turn off pop the bridge configuration is superior, in particular the st-by pin can go low faster.



### 4.4 Global approach to solving pop problem by using the muting/turn-on delay function

In the real case turn-on and turn-off pop problems are generated not only by the power amplifier, but also (very often) by preamplifiers, tone controls, radios etc. and transmitted by the power amplifier to the loudspeaker.

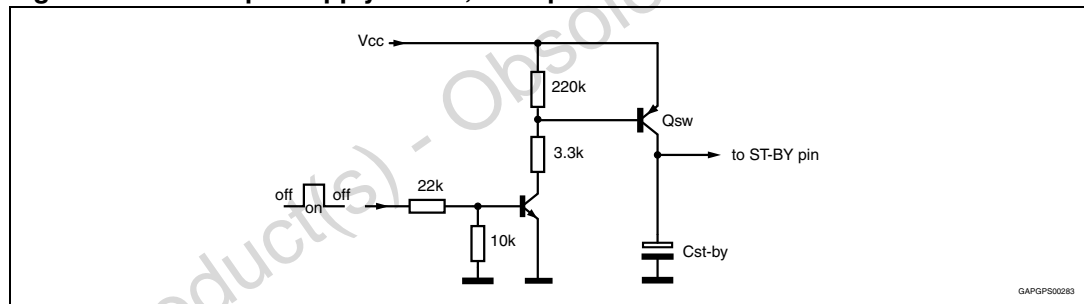
A simple approach to solving these problems is to use the mute characteristics of the TDA7360. If the SVR pin is at a voltage below 1.5 V, the mute attenuation (typ) is 30dB. The amplifier is in play mode when  $V_{SVR}$  overcomes 3.5 V.

With the circuit of [Figure 44](#) we can mute the amplifier for a time  $T_{on}$  after switch-on and for a time  $T_{off}$  after switch-off. During this period the circuitry that precedes the power amplifier can produce spurious spikes that are not transmitted to the loudspeaker.

This can give back a very simple design of this circuitry from the pop point of view. A timing diagram of this circuit is illustrated in [Figure 45](#). Other advantages of this circuit are:

- A reduced time constant allowance of stand-by pin turn off. Consequently it is possible to drive all the car-radio with the signal that drives this pin.
- A better turn-off noise with signal on the output. To drive two stereo amplifiers with this circuit it is possible to use the circuit of [Figure 46](#).

**Figure 42. ST-BY pin supply circuit, example 1**



**Figure 43. ST-BY pin supply circuit, example 2**

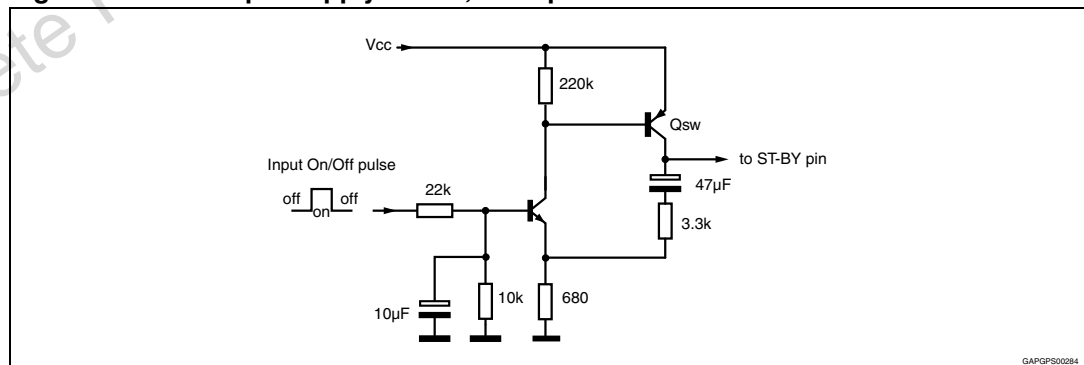


Figure 44. Suggested muting circuit during amplifier switch-on and switch-off

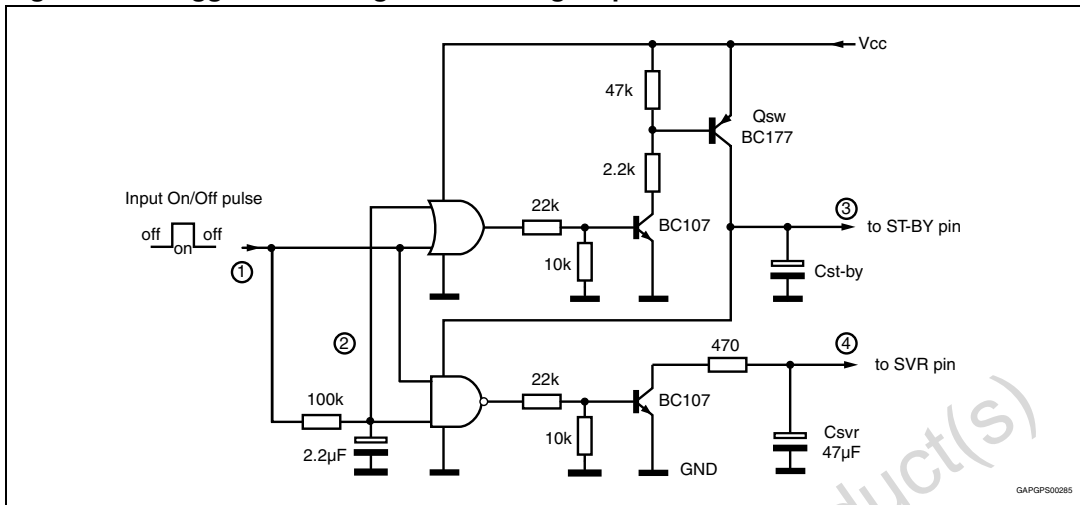


Figure 45. Timing diagram for the circuit depicted in fig. 44

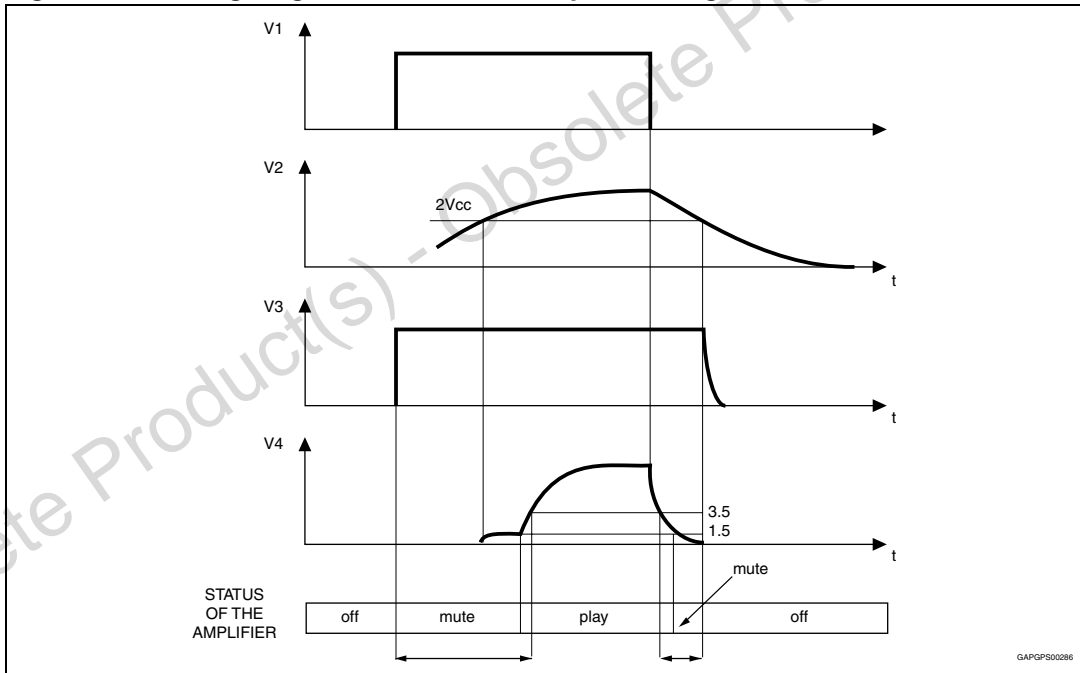
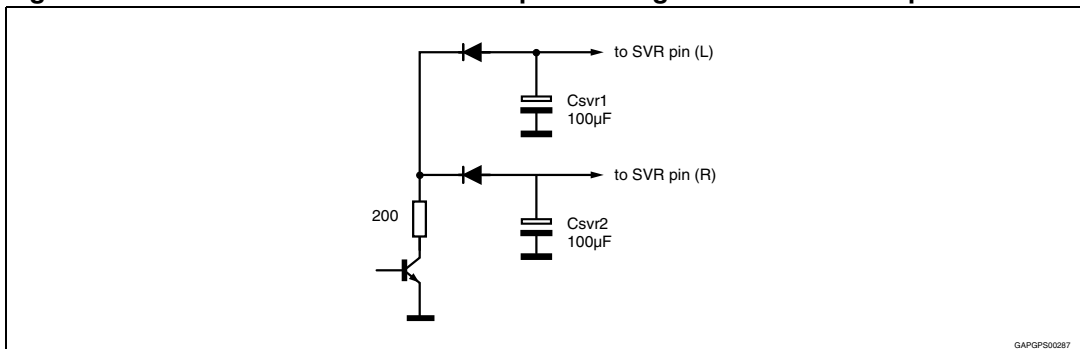


Figure 46. Modification of the circuit depicted in fig.44 to drive two amplifiers



## 4.5 Balance input in bridge configuration

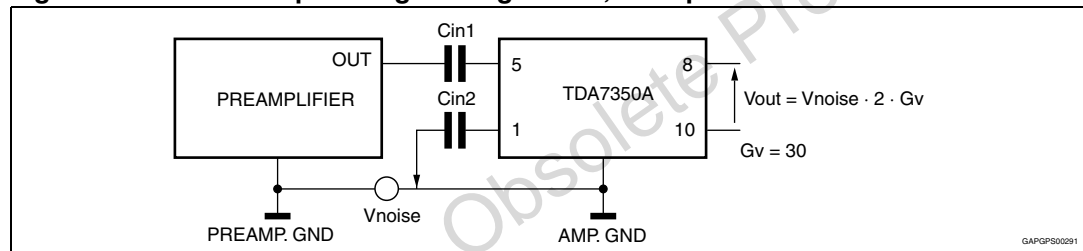
A helpful characteristic of the TDA7360 is that, in bridge configuration, a signal present on both the input capacitors is amplified by the same amount and it is present in phase at the outputs, so this signal does not produce effects on the load. The typical value of CMRR is 46dB.

Looking at [Figure 47](#), we can see that a noise signal from the ground of the power amplifier to the ground of the hypothetical preamplifier is amplified of a factor equal to the gain of the amplifier ( $2 \cdot G_v$ ). Using a configuration of [Figure 48](#) the same ground noise is present at the output multiplied by the factor  $2 \cdot G_v/200$ .

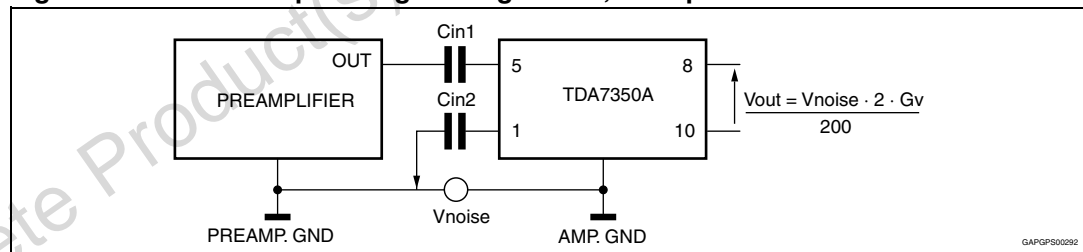
This means less distortion, less noise (e.g. motor cassette noise) and/or a simplification of the layout of PC board.

The only limitation of this balanced input is the maximum amplitude of common mode signals (few tens of millivolt) to avoid a loss of output power due to the common mode signal on the output, but in a large number of cases this signal is within this range.

**Figure 47. Balance input bridge configuration, example 1**



**Figure 48. Balance input bridge configuration, example 2**

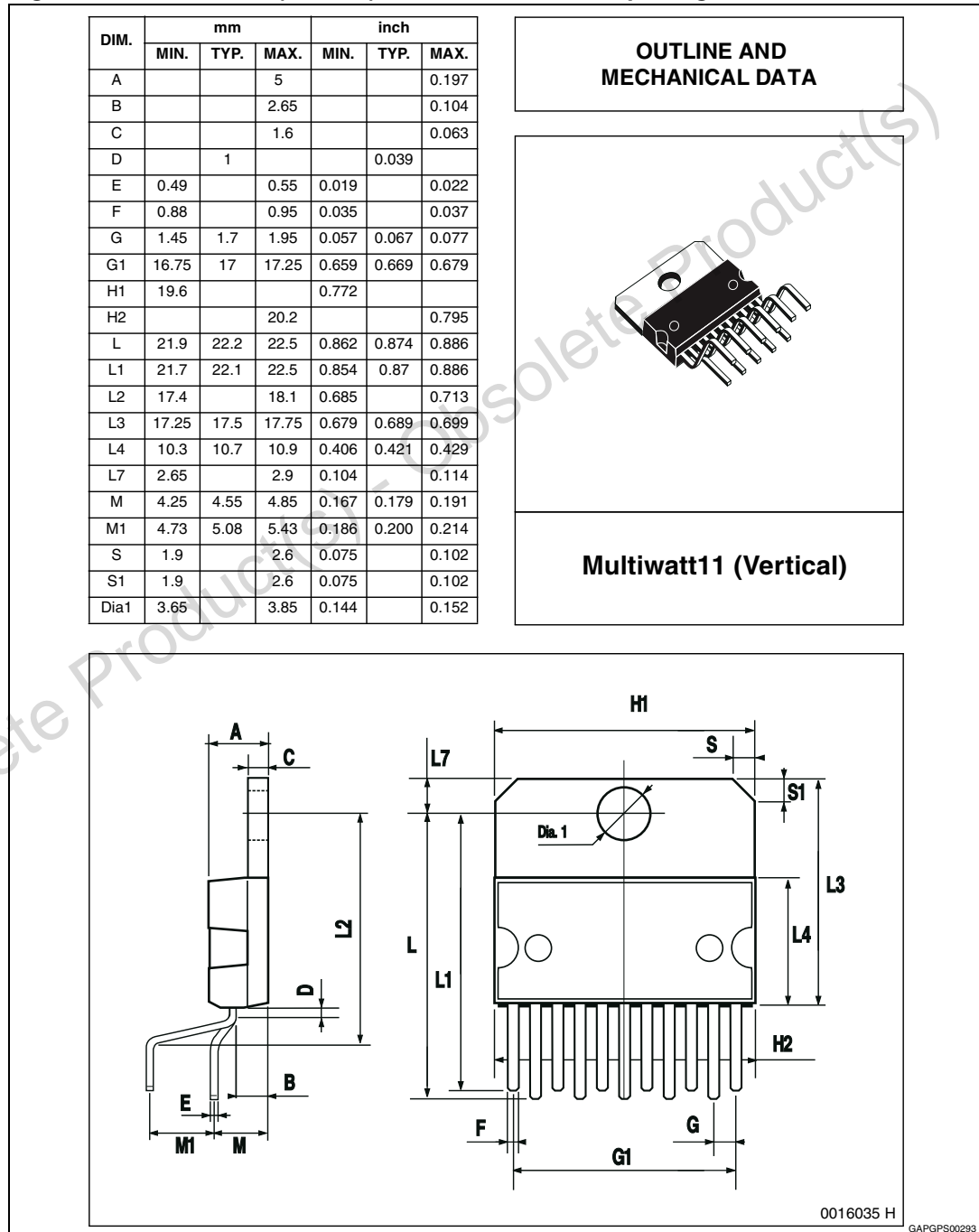


# 5 Package information

In order to meet environmental requirements, ST offers these devices in different grades of ECOPACK® packages, depending on their level of environmental compliance. ECOPACK® specifications, grade definitions and product status are available at: [www.st.com](http://www.st.com).

ECOPACK® is an ST trademark.

**Figure 49. Multiwatt11 (vertical) mechanical data and package dimensions**



## 6 Revision history

**Table 6. Document revision history**

Date	Revision	Changes
09-Jul-1997	1	Initial release.
20-Oct-1998	2	Document status promoted from preliminary data to datasheet.
24-Feb-2011	3	Document reformatted. Updated order code in <a href="#">Table 1: Device summary</a> . Updated <a href="#">Section 5: Package information</a> .

Obsolete Product(s) - Obsolete Product(s)

**Please Read Carefully:**

Information in this document is provided solely in connection with ST products. STMicroelectronics NV and its subsidiaries ("ST") reserve the right to make changes, corrections, modifications or improvements, to this document, and the products and services described herein at any time, without notice.

All ST products are sold pursuant to ST's terms and conditions of sale.

Purchasers are solely responsible for the choice, selection and use of the ST products and services described herein, and ST assumes no liability whatsoever relating to the choice, selection or use of the ST products and services described herein.

No license, express or implied, by estoppel or otherwise, to any intellectual property rights is granted under this document. If any part of this document refers to any third party products or services it shall not be deemed a license grant by ST for the use of such third party products or services, or any intellectual property contained therein or considered as a warranty covering the use in any manner whatsoever of such third party products or services or any intellectual property contained therein.

**UNLESS OTHERWISE SET FORTH IN ST'S TERMS AND CONDITIONS OF SALE ST DISCLAIMS ANY EXPRESS OR IMPLIED WARRANTY WITH RESPECT TO THE USE AND/OR SALE OF ST PRODUCTS INCLUDING WITHOUT LIMITATION IMPLIED WARRANTIES OF MERCHANTABILITY, FITNESS FOR A PARTICULAR PURPOSE (AND THEIR EQUIVALENTS UNDER THE LAWS OF ANY JURISDICTION), OR INFRINGEMENT OF ANY PATENT, COPYRIGHT OR OTHER INTELLECTUAL PROPERTY RIGHT.**

**UNLESS EXPRESSLY APPROVED IN WRITING BY AN AUTHORIZED ST REPRESENTATIVE, ST PRODUCTS ARE NOT RECOMMENDED, AUTHORIZED OR WARRANTED FOR USE IN MILITARY, AIR CRAFT, SPACE, LIFE SAVING, OR LIFE SUSTAINING APPLICATIONS, NOR IN PRODUCTS OR SYSTEMS WHERE FAILURE OR MALFUNCTION MAY RESULT IN PERSONAL INJURY, DEATH, OR SEVERE PROPERTY OR ENVIRONMENTAL DAMAGE. ST PRODUCTS WHICH ARE NOT SPECIFIED AS "AUTOMOTIVE GRADE" MAY ONLY BE USED IN AUTOMOTIVE APPLICATIONS AT USER'S OWN RISK.**

Resale of ST products with provisions different from the statements and/or technical features set forth in this document shall immediately void any warranty granted by ST for the ST product or service described herein and shall not create or extend in any manner whatsoever, any liability of ST.

ST and the ST logo are trademarks or registered trademarks of ST in various countries.

Information in this document supersedes and replaces all information previously supplied.

The ST logo is a registered trademark of STMicroelectronics. All other names are the property of their respective owners.

© 2011 STMicroelectronics - All rights reserved

STMicroelectronics group of companies

Australia - Belgium - Brazil - Canada - China - Czech Republic - Finland - France - Germany - Hong Kong - India - Israel - Italy - Japan - Malaysia - Malta - Morocco - Philippines - Singapore - Spain - Sweden - Switzerland - United Kingdom - United States of America

[www.st.com](http://www.st.com)