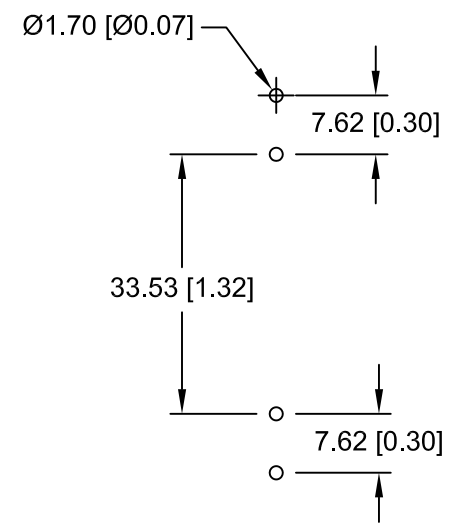
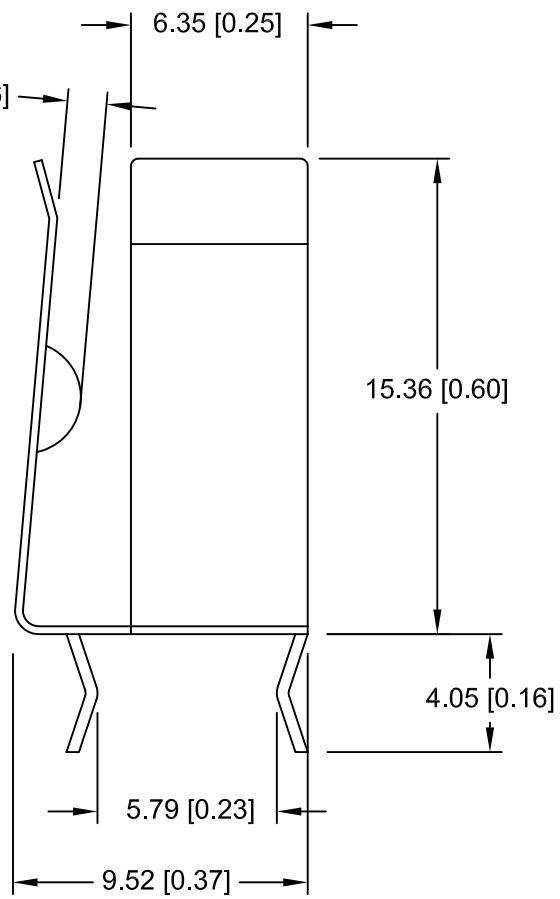
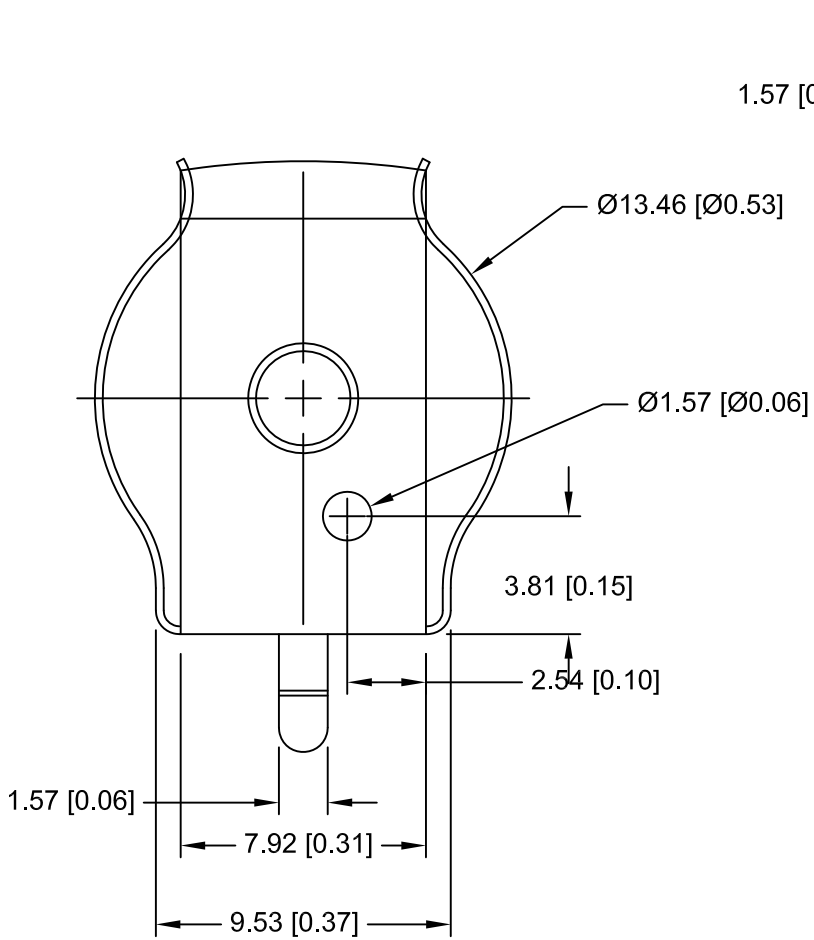



Date	SYM	REVISION RECORD	AUTH	DR.	CK.
11/20/09	A	UPDATED TITLE 6.35 WAS 5.71	T.B.	B.S.	
2/12/10	B	UPDATED PCB LAYOUT	T.B.	B.S.	
04/09/10	C	MATERIAL THICKNESS WAS 0.010" ADDED DIM. 4.05	T.B.	B.S.	
10/04/13	D	MATERIAL WAS PHOS. BR.	T.B.	B.S.	



PCB LAYOUT

NOTES:

- MATERIAL:  
0.012" STEEL 65Mn, NICKEL PLATED

Tolerance (Except as noted)	 <b>Memory Protection Devices, Inc</b> 200 Broad Hollow Road, Farmingdale, New York 11735		
decimal $\pm .5$ (.020)		Scale	Drawn By B.S.
Fractional $\pm .8$ (.030)	Title PC CLIP FOR AA BATTERIES		
Angular $\pm 3^\circ$	Date 10/04/13	Drawing Number BK-92	
		Approved By T.B.	