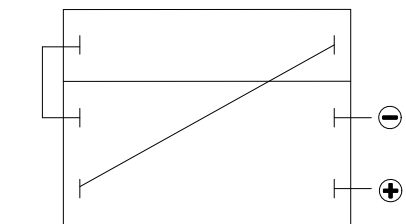
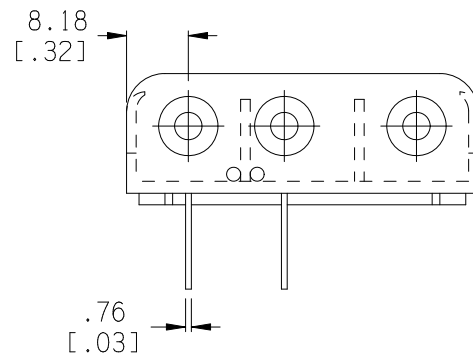
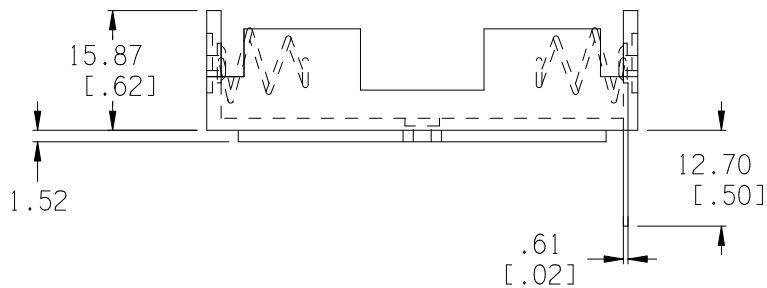
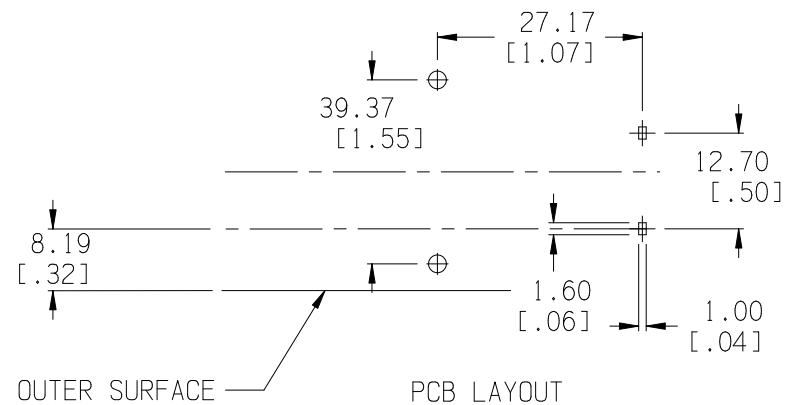


MOUNTING INSTRUCTION:

USE 2-56 MACHINE SCREWS OR EYELETS 0.089" OD BY 0.15" FLANGE STIMPSON GS-3 SERIES OR EQUIVALENT ALSO ADHESIVES AND DOUBLE SIDED TAPES WORK WELL.

Date	SYM	REVISION RECORD	AUTH	DR.	CK.
12/26/03	A	Changed Material Specification	T.B.	B.S.	
03/29/13	B	Updated to "ROHS 2 COMPLIANT"	T.B.	B.S.	




INTER CONNECTION SCHEMATIC

NOTES:

MATERIAL:

- HOUSING: IMPACT RESISTANCE NYLON #6, BLACK, UL 94V-0, MATERIAL FILE #UL E 48285
- SPRING: SPRING STEEL, NICKLE PLATED
- CONTACTS: SPRING STEEL, NICKLE PLATED
- EYELETS: BRASS, NICKLE PLTD.
- JUMPER: #24 AWG, 2.5" LONG
- ROHS 2 COMPLIANT

Tolerance (Inches)	 Memory Protection Devices, Inc. 200 Broad Hollow Road, Farmingdale, New York 11735		
Decimal		Scale	Drawn By B.S.
±.5 (.020)			Approved By T.B.
Fractional	Title		
± .8 (.030)	3AA BATTERY HOLDER WITH PC PINS		
Angular	Date	Drawing Number	
± 3°	03/29/13	BH3AA-PC	