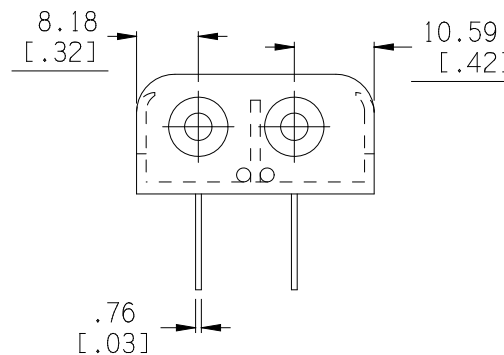
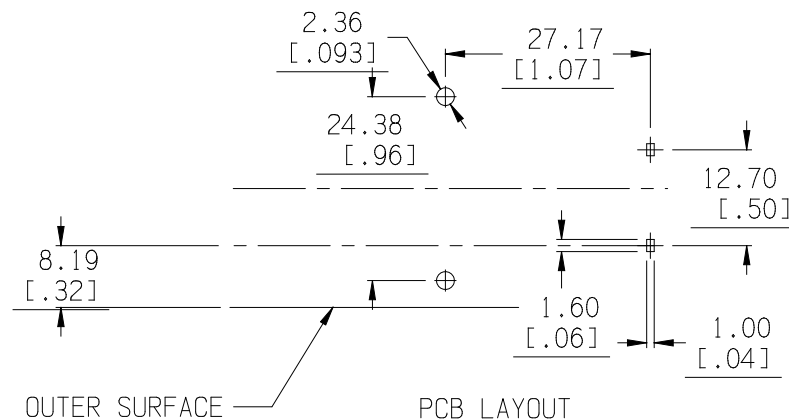
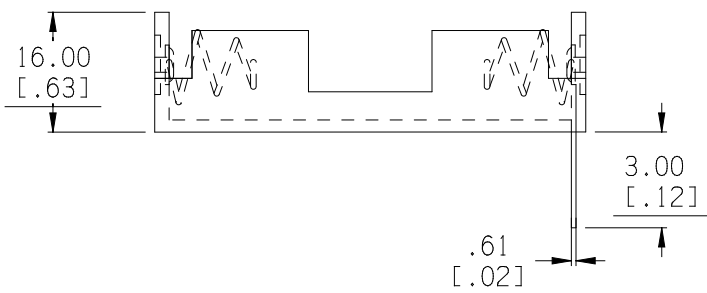
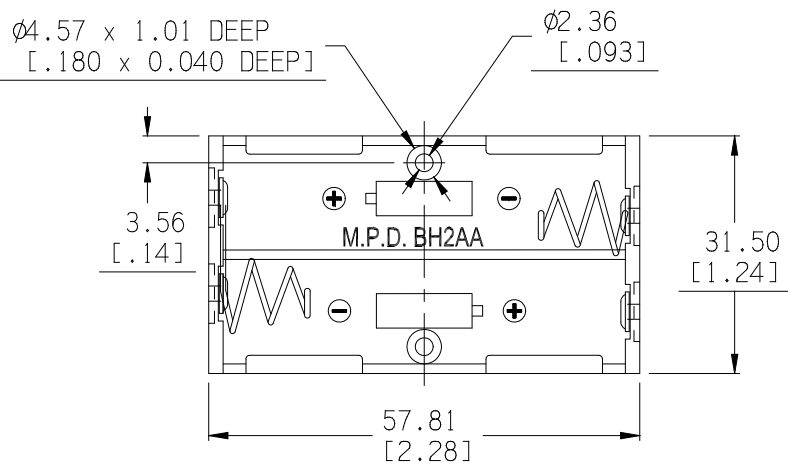


MOUNTING INSTRUCTION:

USE 2-56 MACHINE SCREWS OR EYELETS 0.089" OD BY 0.15" FLANGE STIMPSON GS-3 SERIES OR EQUIVALENT ALSO ADHESIVES AND DOUBLE SIDED TAPES WORK WELL.


Date	SYM	REVISION RECORD	AUTH	DR.	CK.
12/26/03	A	Changed Material Specification	T.B.	B.S.	
1/14/06	B	Added "ROHS COMPLIANT"	T.B.	B.S.	
10/28/06	C	Added $\phi 2.36$ hole size to PCB layout	T.B.	B.S.	
12/02/11	D	Dim. 57.81 was 57.15 Dim. 3.00 was 12.70 Dim. 16.00 was 15.87	T.B.	B.S.	



NOTES:

MATERIAL:

HOUSING: IMPACT RESISTANCE NYLON #6, BLACK, UL 94V-0, MATERIAL FILE #UL E48285
 SPRING: SPRING STEEL, NICKLE PLATED
 CONTACTS: SPRING STEEL, NICKLE PLATED
 EYELETS: BRASS, NICKLE PLTD.
 ROHS COMPLIANT

Tolerance (Inches)	 Memory Protection Devices, Inc. 200 Broad Hollow Road, Farmingdale, New York 11735		
Decimal		Scale	Drawn By B.S.
$\pm .5$ (.020)			Approved By T.B.
Fractional	Title		
$\pm .8$ (.030)	2AA BATTERY HOLDER WITH PC PINS		
Angular	Date	Drawing Number	
$\pm 3^\circ$	12/02/11	BH2AA-PC	