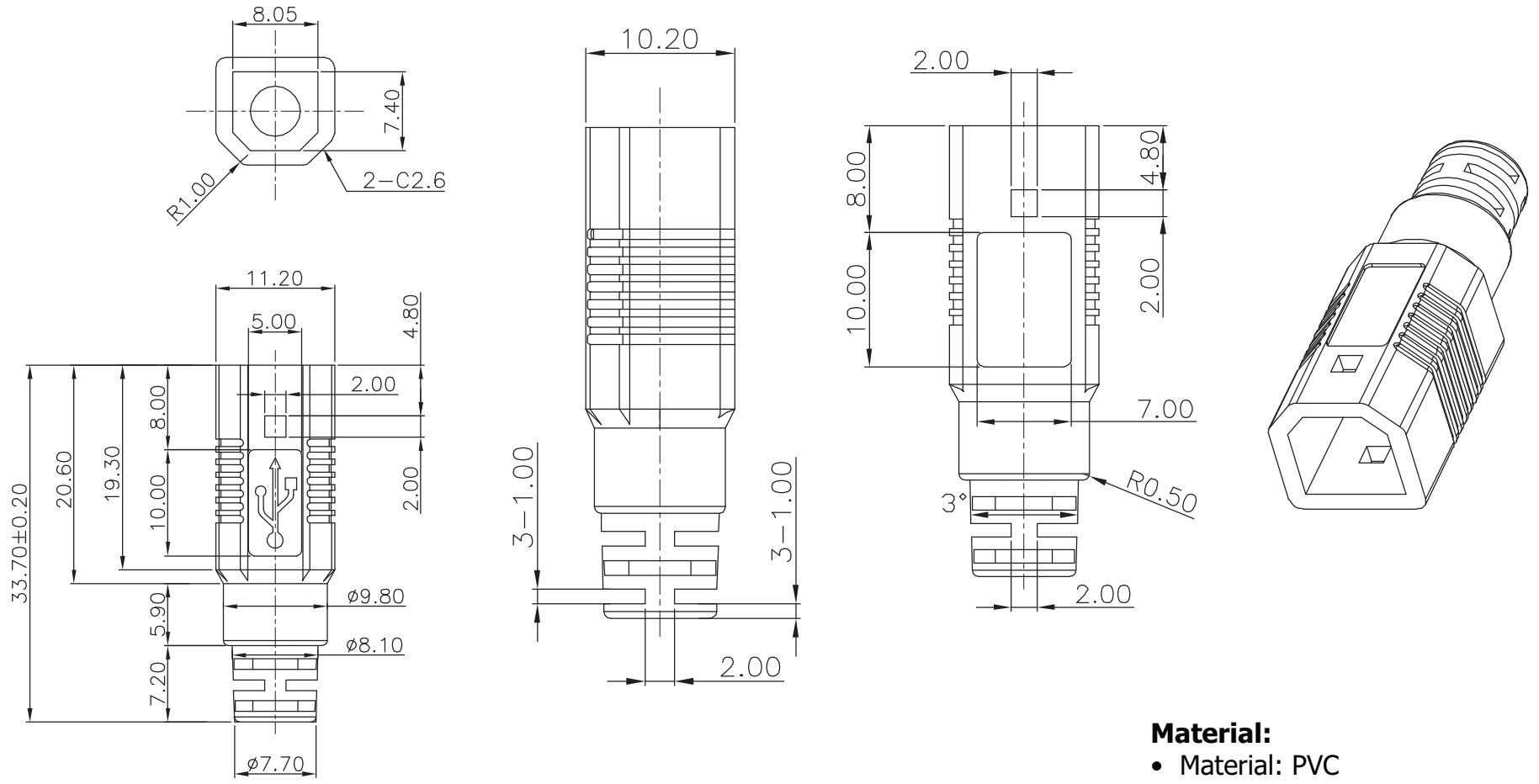


1 2 3 4 5 6 7

A
B
C
D
E
F
G
H

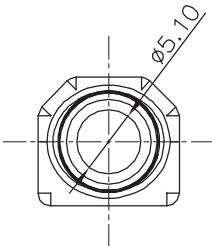
A
B
C
D
E
F
G
H



Material:

- Material: PVC
- Color: Black/White/Beige

Unit: MM±0.10MM



Scale	1:1								Name
TOLERANCE						Drawn	10.19.11		Chappell
X.X	±0.40					Approved			
X.XX	±0.25								
X.XXX	±0.15								
Angle	±3°								
						Modification	Date	Name	

Item No. A-USBPB-HOOD-R	
Title Hoods for USB-Assembly, Type B, Male	
Drawing No.	rev00
Replace	
	Sheet

1 2 3 4 5 6 7