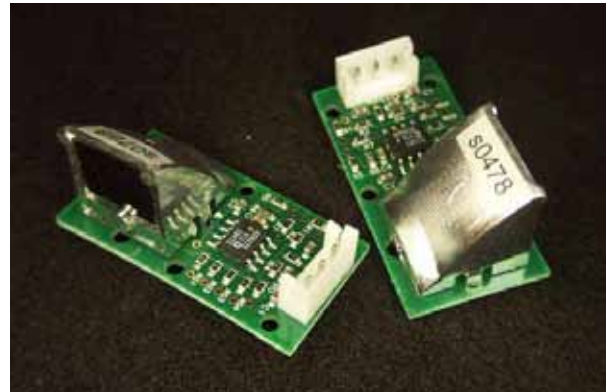


# ZTP-115M

## Thermopile IR Module



The ZTP-115M is a single IR module used for non-contact surface temperature measuring. It consists of a thermopile, IR sensor, signal conditioning and voltage output.

### Applications

- Occupancy detection
- HVAC
- Appliance
- Microwave oven

### Features

- Non-contact measurement
- Wider surface area measurement
- Small-size sensor package
- Included ambient temperature - (thermistor) sensor for compensation
- High sensitivity
- Fast response time
- Low cost
- Analog output



# Specifications

**Supply Voltage**  
Single Supply (+5V)

**Supply Current**  
Typical 2.7 mA

**Response Time**  
0.3 ~ 0.6 second

**Range of Measuring Temperature**  
-40°C ~ 145°C

**Operating Temperature**  
-20°C ~ 100°C

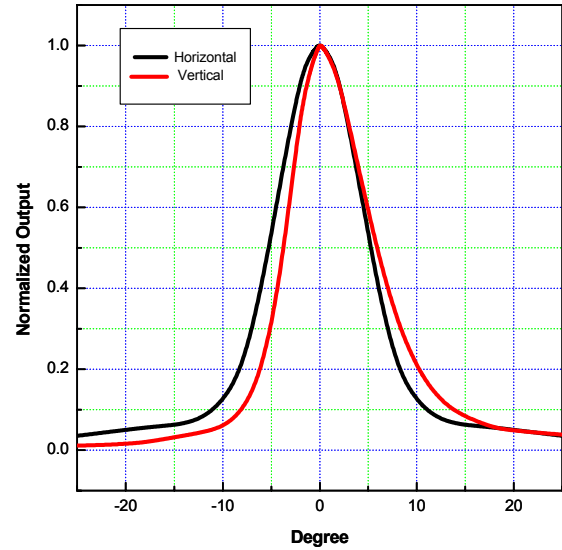
**Storage Temperature**  
-20°C ~ 120°C

**Thermopile Sensor**  
ZTP-115

# Field of View

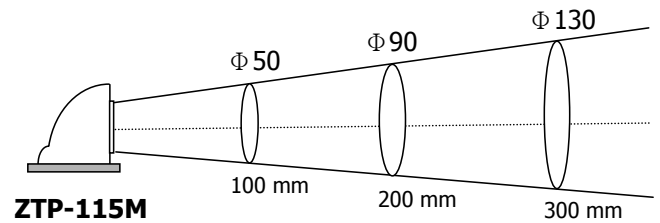
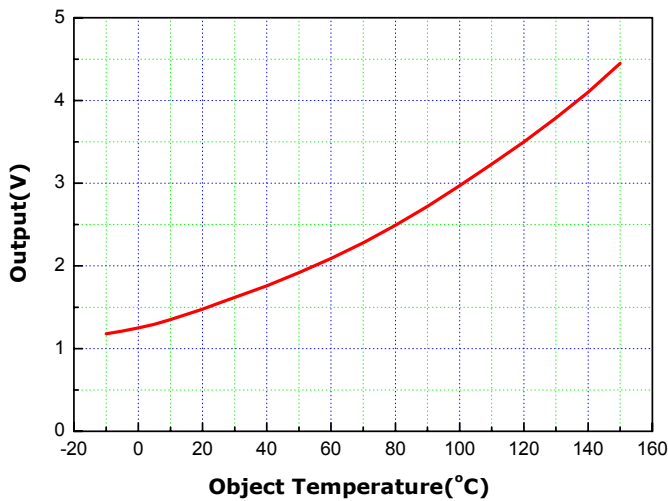
- Horizontal Normalized Output (above 50%) :  $\pm 5.5^\circ$
- Vertical Normalized Output (above 50%) :  $+6^\circ / -3.5^\circ$

\*Condition : Distance of IR Point Source to Reflector : 170 mm

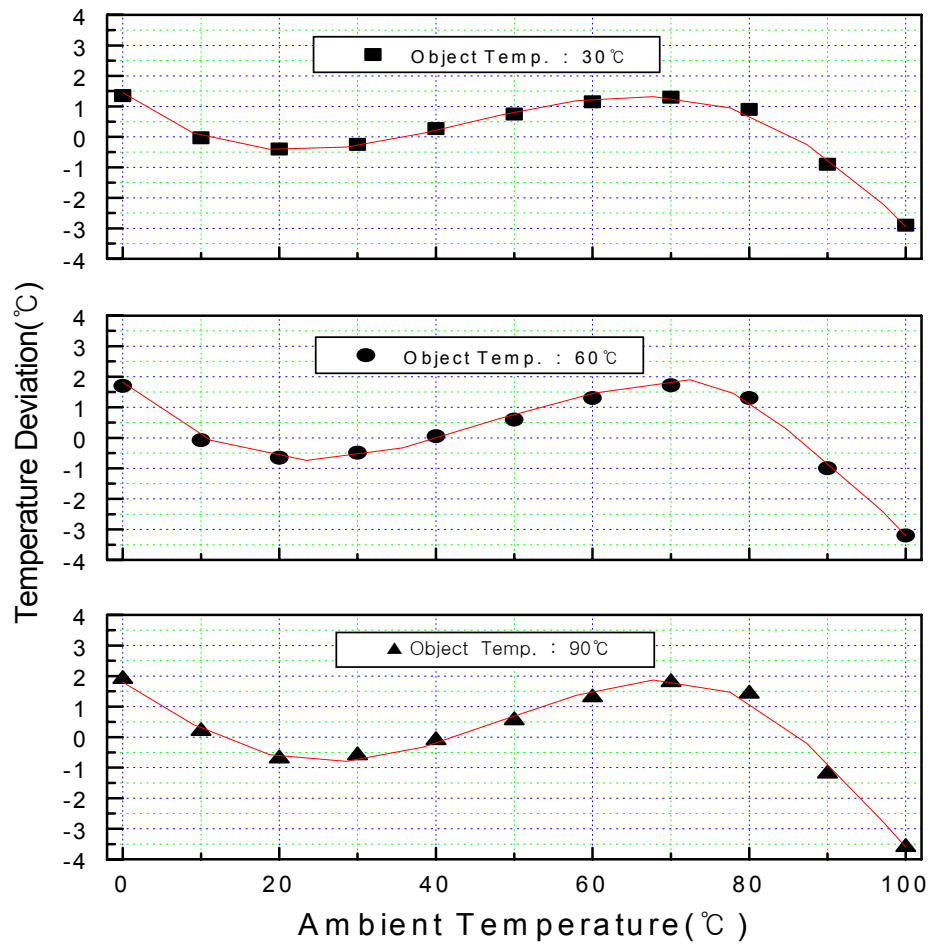


- Spot Size of Normalized Output (above 10%)

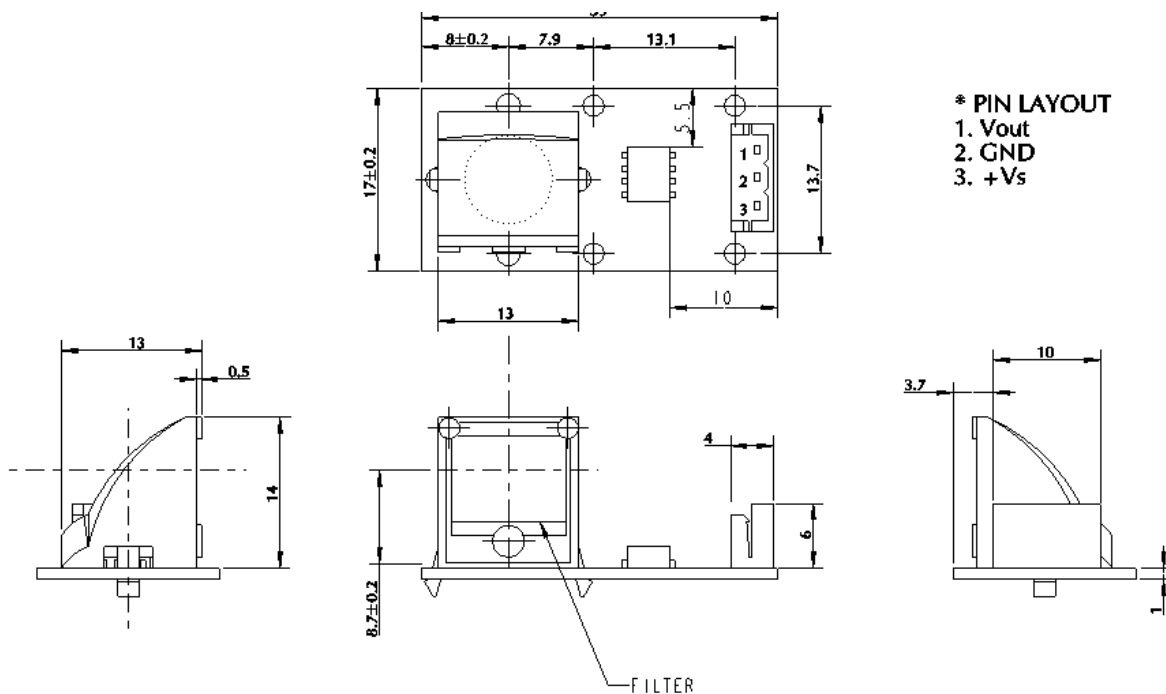
# Sensitivity



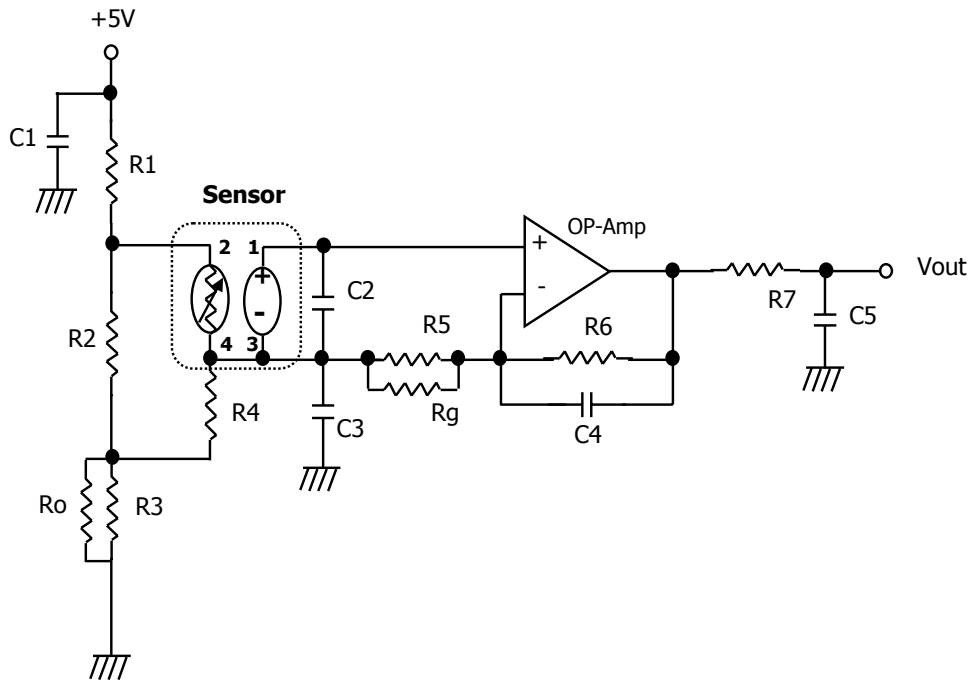
# Temperature Accuracy (Typical)



# Outline of Sensor Packaging and Pin Arrangement



# Module Circuit



[www.ge-mcs.com](http://www.ge-mcs.com)

920-550A