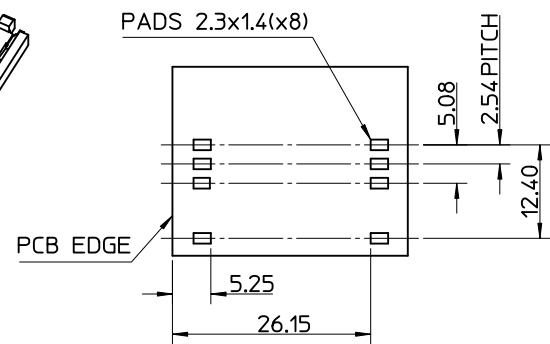
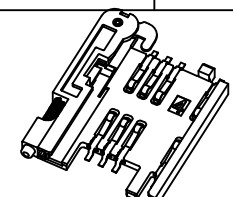
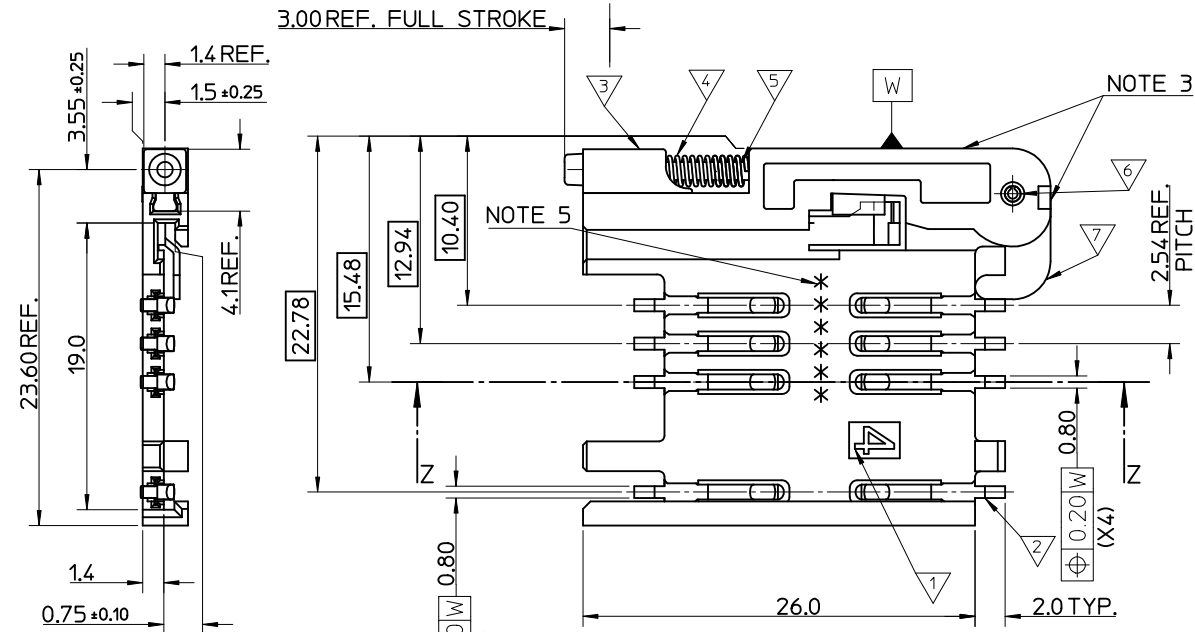
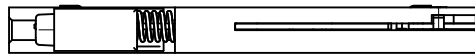


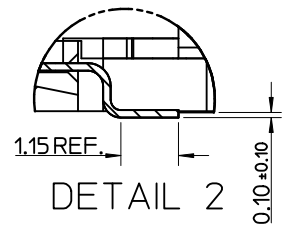
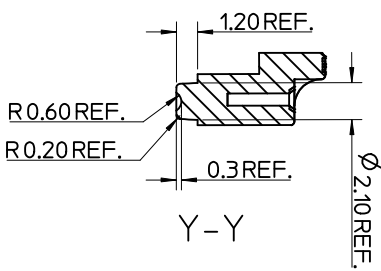
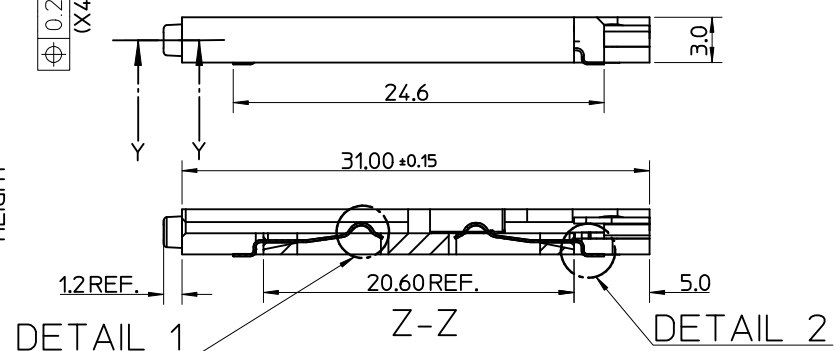
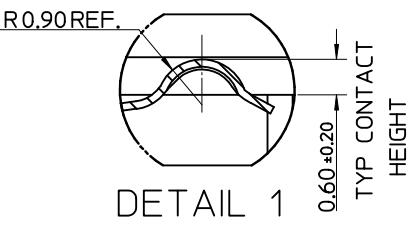
MATERIAL NUMBER	DESCRIPTION
912283001	REELED ONTO CARDBOARD REEL
912283019	REELED ONTO PLASTIC REEL



RECOMMENDED PCB LAYOUT  
(COMPONENT SIDE)

- NOTES:
- SEE PRODUCT SPECIFICATION PS-99020-0071.
  - PACKAGING: TAPE & REEL, FOR DETAIL SEE SDA-91228-9001, SHEET 1
  - PUSH ROD/LEVER MUST NOT PROTRUDE BEYOND HOUSING EDGE IN THIS AREA.
  - TAILS ON EACH SIDE OF CONNECTOR TO LIE WITHIN 0.12 mm OF EACH OTHER
  - DATECODE: (YEAR, WEEK, WEEK, DAY, HOUR, HOUR)

ITEM	COMPONENT	QTY	MATERIAL
▽	HOUSING	1	LIQUID CRYSTAL POLYMER (LCP) 30% GLASS FILL, JL94 V-O, COLOUR: BLACK
▽	TERMINAL	8	0.15 PHOSPHOR BRONZE, 0.14μm MIN Au OVER Pd/Ni IN CONTACT AREA 2.54μm MIN Sn ON SMT TAILS
▽	PUSH BUTTON	1	GF POLYAMIDE 6T/66, YELLOW
▽	COIL SPRING	1	0.25 REF THK STAINLESS STEEL
▽	PUSH ROD	1	0.4 REF THK STAINLESS STEEL
▽	C-PIN	1	STEEL
▽	LEVER	1	0.4 REF THK STAINLESS STEEL

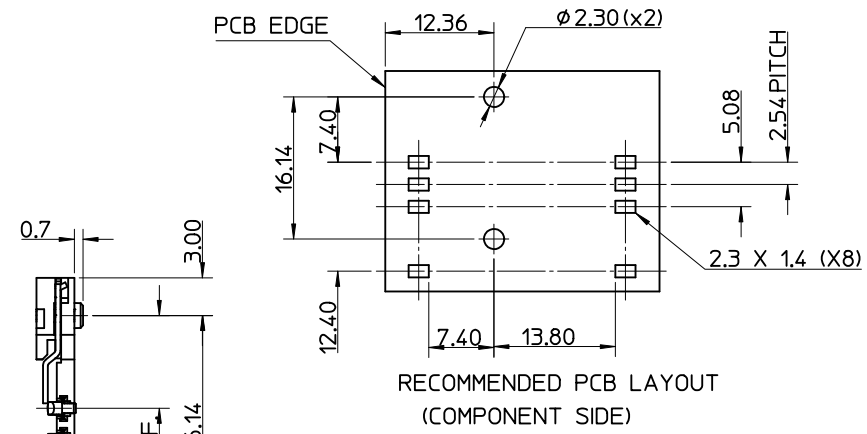
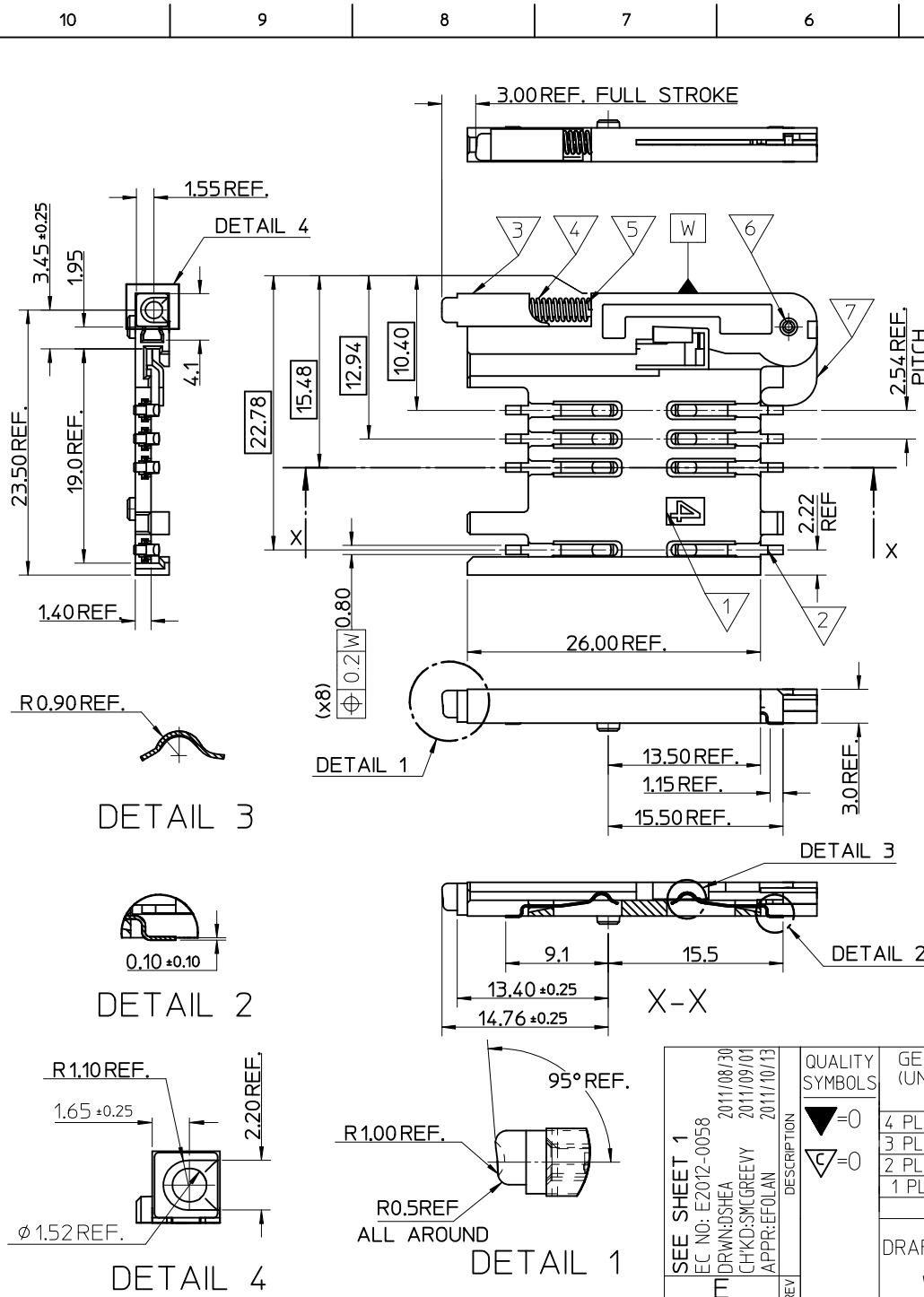


REV	DESCRIPTION	DATE	BY
1	ADDED REEL OPTION	2011/08/30	DRW:NDLSHEA
2		2011/09/01	CHK:KDS:SMCGREEVY
3		2011/10/13	APPR:EFOLAN

QUALITY SYMBOLS	GENERAL TOLERANCES (UNLESS SPECIFIED)
▽ = 0	mm INCH
▽ = 0	4 PLACES ± --- ± ---
	3 PLACES ± --- ± ---
	2 PLACES ± 0.05 ± ---
	1 PLACE ± 0.1 ± ---
	ANGULAR ± 2 °

DIMENSION STYLE		SCALE		DESIGN UNITS		THIRD ANGLE PROJECTION	
MM ONLY		5:1		METRIC		THIRD ANGLE PROJECTION	
DRAWN BY	DATE	TITLE				SIM CONNECTOR ASSY	
RFORREY	2006/11/27						
CHECKED BY	DATE						
FDUGGAN	2006/11/27						
APPROVED BY	DATE						
EFOLAN	2006/11/27						
MATERIAL NO.		DOCUMENT NO.		MOLEX INCORPORATED		SHEET NO.	
SEE TABLE				SD-91228-001		1 OF 6	

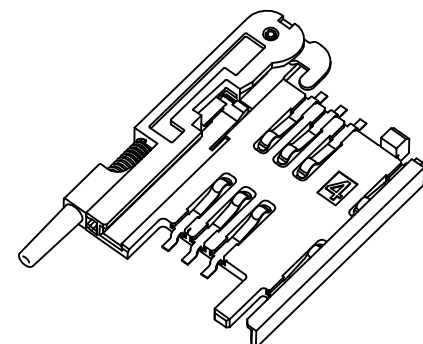
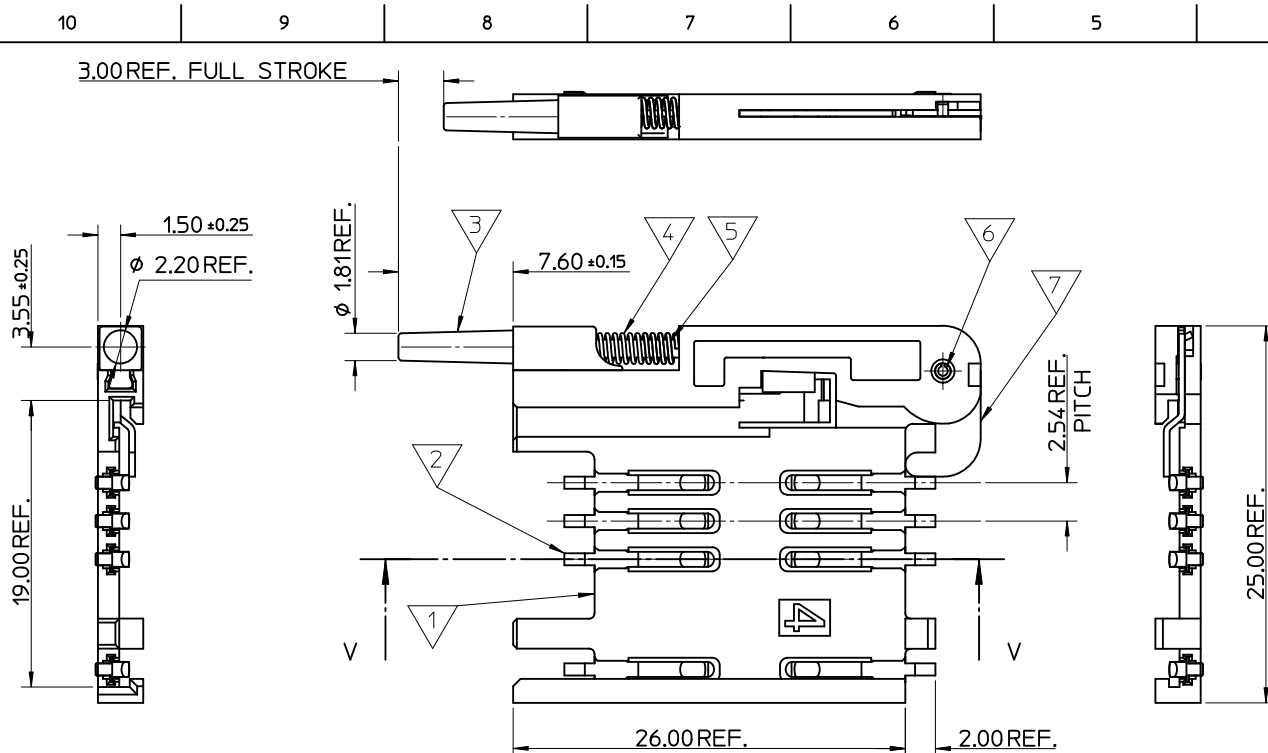
DRAFT WHERE APPLICABLE MUST REMAIN WITHIN DIMENSIONS		THIS DRAWING CONTAINS INFORMATION THAT IS PROPRIETARY TO MOLEX INCORPORATED AND SHOULD NOT BE USED WITHOUT WRITTEN PERMISSION	
SIZE	A3		



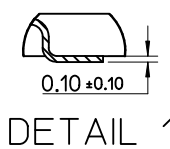
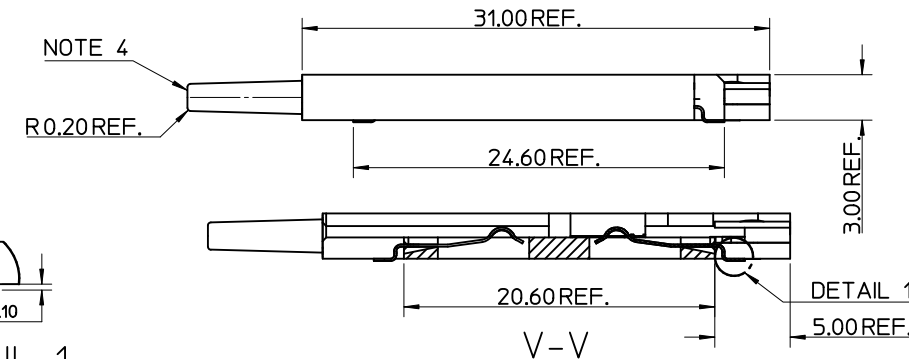
- NOTES:
1. SEE PRODUCT SPECIFICATION PS-99020-0071.
  2. PACKAGING: TAPE & REEL, FOR DETAIL SEE SDA-91228-9001, SHEET 1
  3. FOR ALL UNSPECIFIED DIMENSIONS AND NOTES SEE SHEET 1.

ITEM	COMPONENT	QTY	MATERIAL
▽1	HOUSING		LIQUID CRYSTAL POLYMER (LCP) 30% GLASS FILL, UL94 V-0, COLOUR: BLACK
▽2	TERMINAL		0.15 PHOSPHOR BRONZE. 0.14mm MIN Au OVER Pd/Ni IN CONTACT AREA 2.54mm MIN Sn ON SMT TAILS
▽3	PUSH BUTTON		GF POLYAMIDE 6T/66. BLACK.
▽4	COIL SPRING		0.25 REF THK STAINLESS STEEL
▽5	PUSH ROD		0.4 REF THK STAINLESS STEEL
▽6	C-PIN		STEEL
▽7	LEVER		0.4 REF THK STAINLESS STEEL

SEE SHEET 1 EC NO: E2012-0058 DRWN: DSHEA 2011/08/30 CHKD: SMGREEVY 2011/09/01 APPR: EFOLAN 2011/10/13 REV	QUALITY SYMBOLS ▽=0 ▽=0	GENERAL TOLERANCES (UNLESS SPECIFIED) mm INCH 4 PLACES ± --- ± --- 3 PLACES ± --- ± --- 2 PLACES ± 0.05 ± --- 1 PLACE ± 0.1 ± --- ANGULAR ± 2 °	DIMENSION STYLE MM ONLY DRAWN BY: RFORREY CHECKED BY: FDUGGAN APPROVED BY: EFOLAN MATERIAL NO. 912283002	SCALE 5:1 DESIGN UNITS METRIC THIRD ANGLE PROJECTION	TITLE SIM CONNECTOR ASSY	MOLEX INCORPORATED DOCUMENT NO. SD-91228-001	SHEET NO. 2 OF 6
	DRAFT WHERE APPLICABLE MUST REMAIN WITHIN DIMENSIONS		SIZE A3	THIS DRAWING CONTAINS INFORMATION THAT IS PROPRIETARY TO MOLEX INCORPORATED AND SHOULD NOT BE USED WITHOUT WRITTEN PERMISSION			

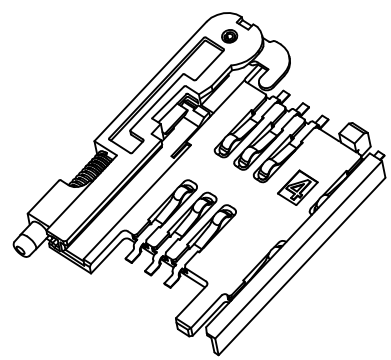
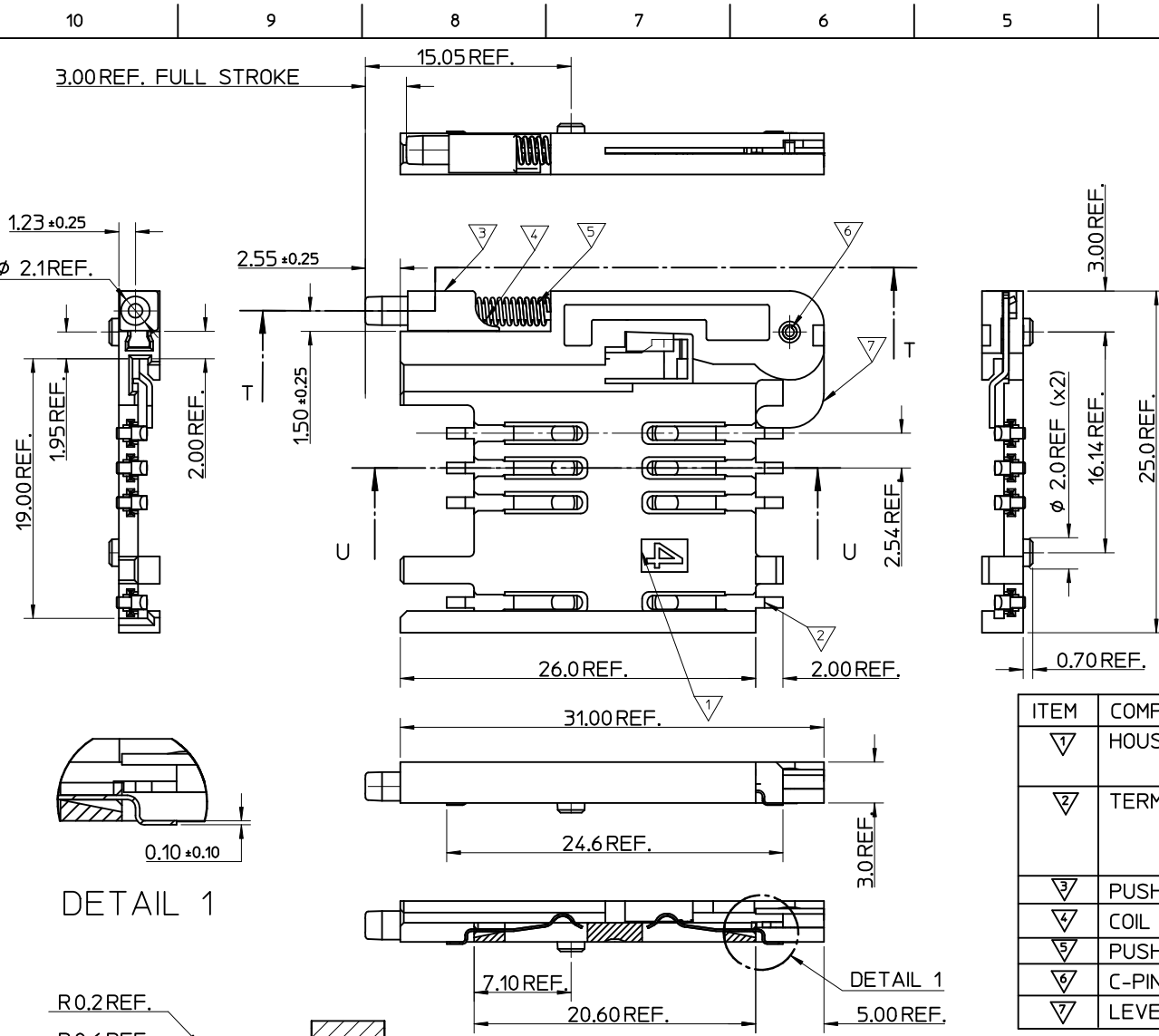


- NOTES:
1. SEE PRODUCT SPECIFICATION PS-91228-004.
  2. PACKAGING: TAPE & REEL, FOR DETAIL SEE SDA-91228-9001, SHEET 2.
  3. SEE SHEET 1 FOR ALL UNSPECIFIED NOTES AND DIMENSIONS.
  4. ALLOWABLE FLASH IN THIS AREA 0.3mm MAX.



ITEM	COMPONENT	QTY	MATERIAL
1	HOUSING	1	LIQUID CRYSTAL POLYMER (LCP) 30% GLASS FILL, UL94 V-0, COLOUR: BLACK
2	TERMINAL	8	0.15 PHOSPHOR BRONZE. 0.14mm MIN Au OVER Pd/Ni IN CONTACT AREA 2.54mm MIN Sn ON SMT TAILS
3	PUSH BUTTON	1	GF POLYAMIDE 6T/66, NATURAL
4	COIL SPRING	1	0.25 REF THK STAINLESS STEEL
5	PUSH ROD	1	0.4 REF THK STAINLESS STEEL
6	C-PIN	1	STEEL
7	LEVER	1	0.4 REF THK STAINLESS STEEL

SEE SHEET 1 EC NO: E2012-0058 DRW: DRWDSHEA 2011/08/30 CHKD: SMCREEVY 2011/09/01 APPR: EFOLAN 2011/10/13	QUALITY SYMBOLS ▽ = 0 ◻ = 0	GENERAL TOLERANCES (UNLESS SPECIFIED)		DIMENSION STYLE MM ONLY		SCALE 5:1	DESIGN UNITS METRIC	THIRD ANGLE PROJECTION	
		4 PLACES	± ---	± ---	DRAWN BY	DATE	TITLE <b>SIM CONNECTOR ASSY</b>		
		3 PLACES	± ---	± ---	RFORREY	2006/11/27			
		2 PLACES	± 0.05	± ---	CHECKED BY	DATE			
1 PLACE	± 0.1	± ---	FDUGGAN	2006/11/27					
		ANGULAR ± 2 °		APPROVED BY	DATE	MOLEX INCORPORATED DOCUMENT NO.			
				EFOLAN	2006/11/27				
		DRAFT WHERE APPLICABLE MUST REMAIN WITHIN DIMENSIONS		MATERIAL NO.		SD-91228-001		SHEET NO.	
				912283005				3 OF 6	



- NOTES:
1. SEE PRODUCT SPECIFICATION PS-99020-0071.
  2. PACKAGING: TAPE & REEL, FOR DETAIL SEE SDA-91228-9001, SHEET 2.
  3. SEE SHEETS 1 & 2 FOR ALL UNSPECIFIED NOTES AND DIMENSIONS.

ITEM	COMPONENT	QTY	MATERIAL
▽1	HOUSING	1	LIQUID CRYSTAL POLYMER (LCP) 30% GLASS FILL, UL94 V-0, COLOUR: BLACK
▽2	TERMINAL	8	0.15 PHOSPHOR BRONZE. 0.14mm MIN Au OVER Pd/Ni IN CONTACT AREA 2.54mm MIN Sn ON SMT TAILS
▽3	PUSH BUTTON	1	GF POLYAMIDE 6T/66, BLACK.
▽4	COIL SPRING	1	0.25 REF THK STAINLESS STEEL
▽5	PUSH ROD	1	0.4 REF THK STAINLESS STEEL
▽6	C-PIN	1	STEEL
▽7	LEVER	1	0.4 REF THK STAINLESS STEEL

DETAIL 1

DETAIL 1

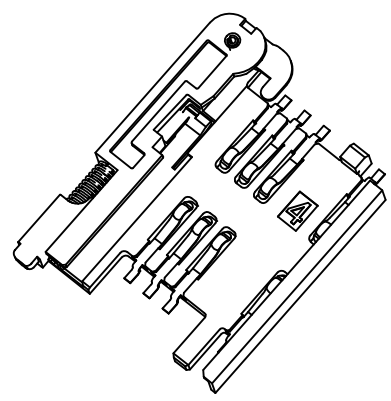
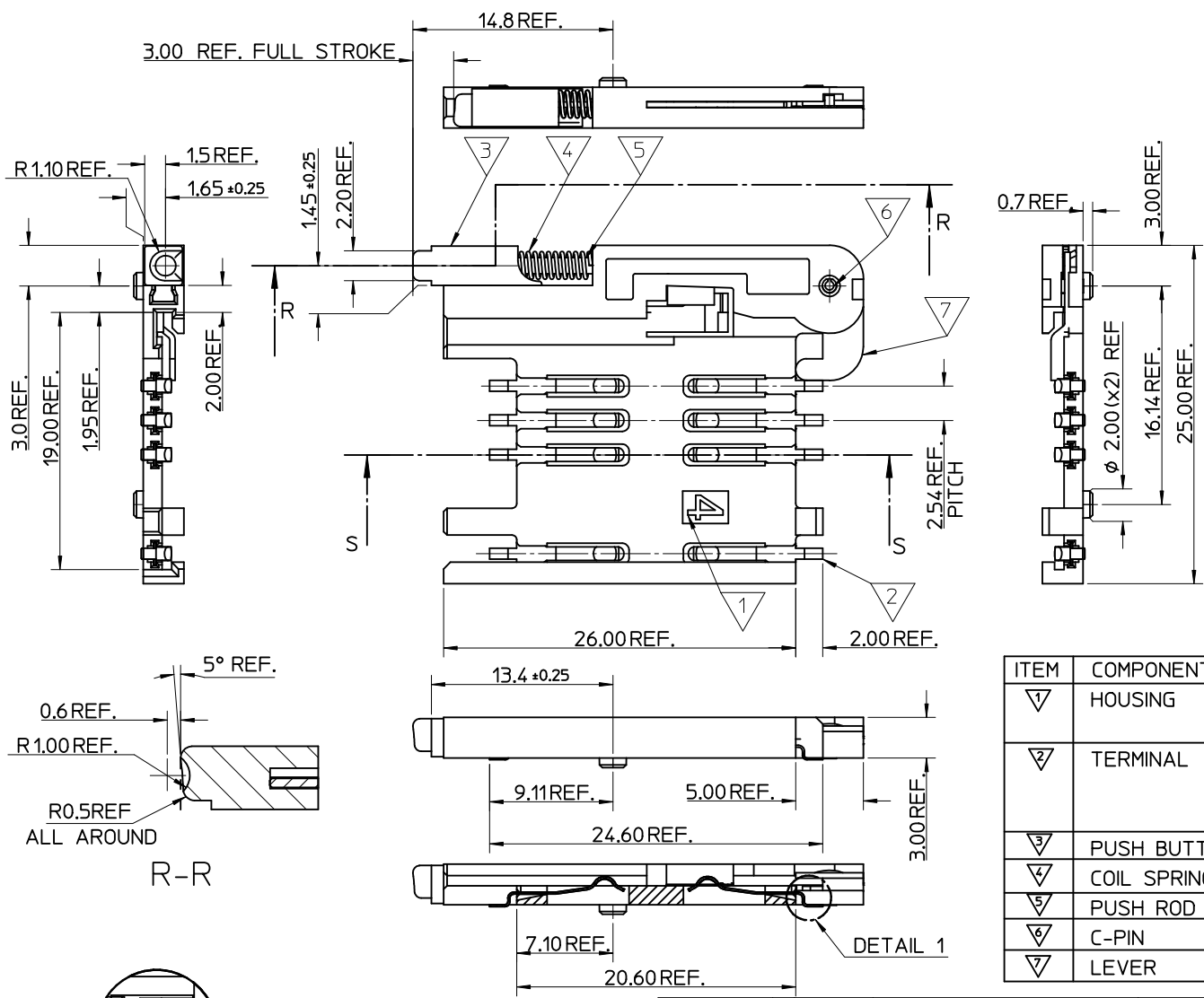
SEE SHEET 1  
EC NO: E2012-0058  
DRWN: DSHEA 2011/08/30  
CHKD: SMCGREW 2011/09/01  
APPR: EFOLAN 2011/10/13

REV	DESCRIPTION
1	QUALITY SYMBOLS
2	GENERAL TOLERANCES (UNLESS SPECIFIED)
3	DIMENSION STYLE
4	SCALE
5	DESIGN UNITS
6	THIRD ANGLE PROJECTION
7	TITLE
8	MATERIAL NO.
9	DOCUMENT NO.
10	SHEET NO.

PLACES	mm	INCH
4 PLACES	± 0.15	± 0.006
3 PLACES	± 0.25	± 0.010
2 PLACES	± 0.50	± 0.020
1 PLACE	± 1.00	± 0.040
ANGULAR ± 2°		

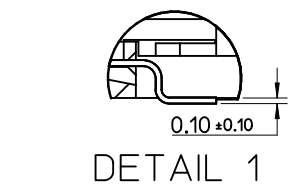
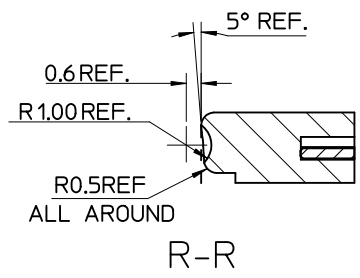
DRAWN BY	DATE	CHECKED BY	DATE	APPROVED BY	DATE
RFORREY	2006/11/27	F DUGGAN	2006/11/27	EFOLAN	2006/11/27

SCALE 5:1		DESIGN UNITS METRIC		THIRD ANGLE PROJECTION	
TITLE SIM CONNECTOR ASSY					
MATERIAL NO. 912283006			DOCUMENT NO. SD-91228-001		
DRAFT WHERE APPLICABLE MUST REMAIN WITHIN DIMENSIONS				SHEET NO. 4 OF 6	



- NOTES:
1. SEE PRODUCT SPECIFICATION PS-99020-0071.
  2. PACKAGING: TAPE & REEL, FOR DETAIL SEE SDA-91228-9001, SHEET 1.
  3. SEE SHEET 1 FOR ALL UNSPECIFIED NOTES AND DIMENSIONS.

ITEM	COMPONENT	QTY	MATERIAL
▽	HOUSING	1	LIQUID CRYSTAL POLYMER (LCP) 30% GLASS FILL, UL94 V-0, COLOUR: BLACK
▽	TERMINAL	8	0.15 PHOSPHOR BRONZE. 0.14m MIN Au OVER Pd/Ni IN CONTACT AREA 2.54m MIN Sn ON SMT TAILS
▽	PUSH BUTTON	1	GF POLYAMIDE 6T/66, BLUE
▽	COIL SPRING	1	0.25 REF THK STAINLESS STEEL
▽	PUSH ROD	1	0.4 REF THK STAINLESS STEEL
▽	C-PIN	1	STEEL
▽	LEVER	1	0.4 REF THK STAINLESS STEEL



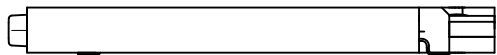
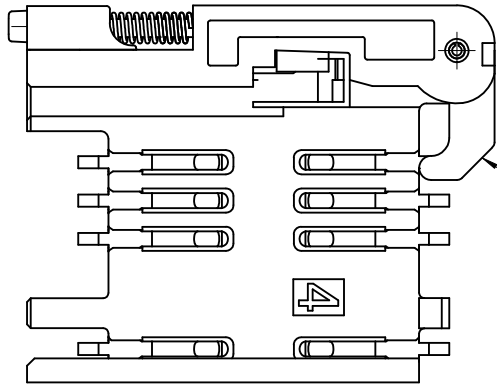
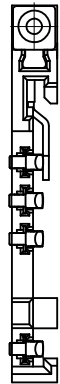
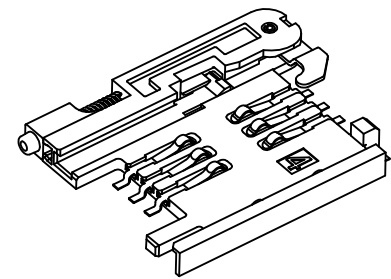
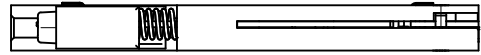
SEE SHEET 1  
 EC NO: E2012-0058  
 DR: WINDSIEA 2011/08/30  
 CH: KD: SMC GREVY 2011/09/01  
 APPR: EFOLAN 2011/10/13

REV	DESCRIPTION
▽=0	QUALITY SYMBOLS
▽=0	

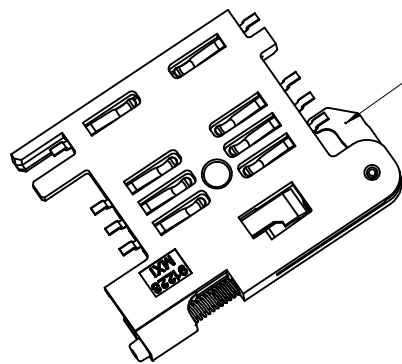
GENERAL TOLERANCES (UNLESS SPECIFIED)	
mm	INCH
4 PLACES ± ---	± ---
3 PLACES ± ---	± ---
2 PLACES ± 0.05	± ---
1 PLACE ± 0.1	± ---
ANGULAR ± 2 °	

DIMENSION STYLE	
MM ONLY	
DRAWN BY	DATE
RFORREY	2006/11/27
CHECKED BY	DATE
FDUGGAN	2006/11/27
APPROVED BY	DATE
EFOLAN	2006/11/27
MATERIAL NO.	
912283007	

SCALE	DESIGN UNITS	THIRD ANGLE PROJECTION
5:1	METRIC	
TITLE		
SIM CONNECTOR ASSY		
MOLEX INCORPORATED		SHEET NO.
DOCUMENT NO.		5 OF 6
912283007		SD-91228-001



NOTE 6  
BLACK COLOUR  
THIS FACE

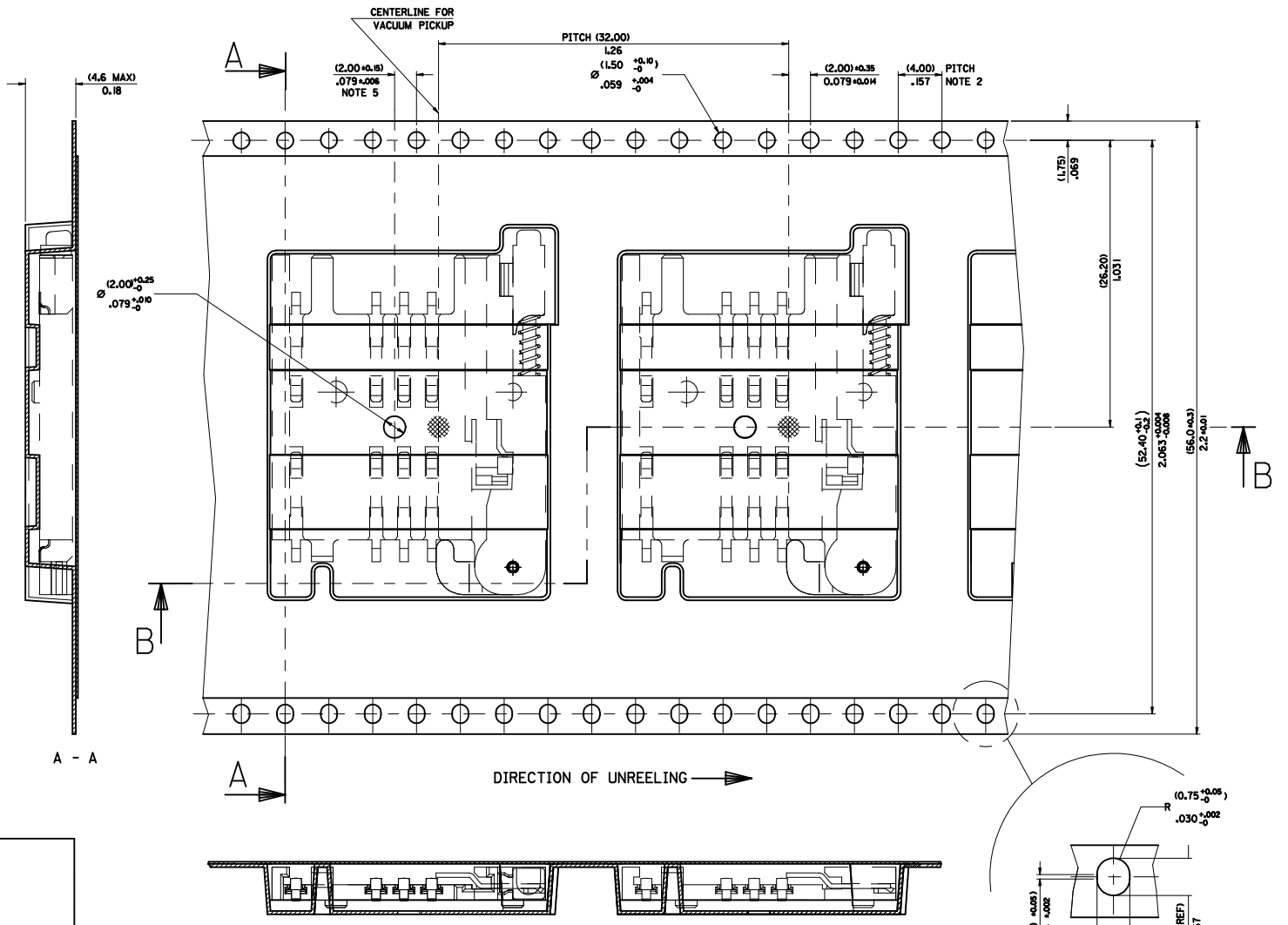
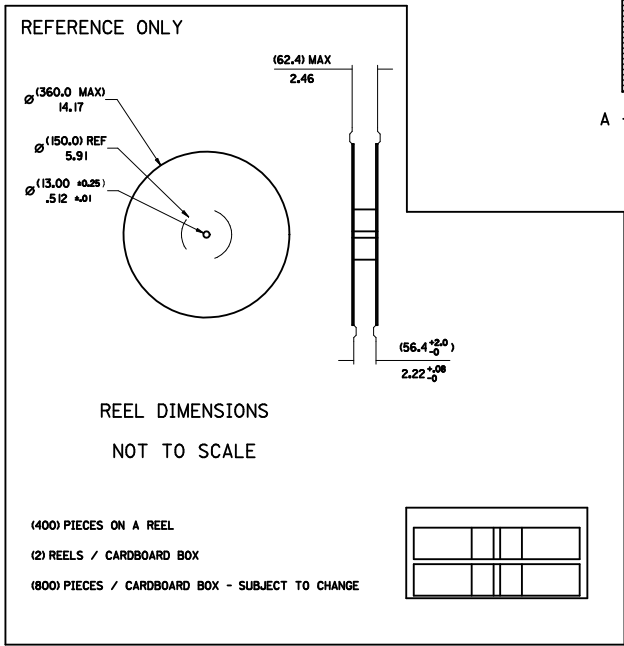
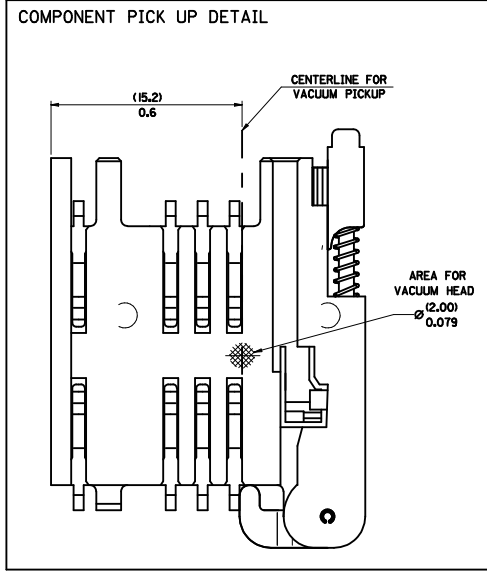


NOTES:

1. SEE PRODUCT SPECIFICATION PS-91228-016
2. PACKAGING: TAPE & REEL, FOR DETAIL SEE SDA-91228-9001, SHEET 1
3. FOR ALL UNSPECIFIED DIMENSIONS AND NOTES SEE SHEET 1.
4. 5mm EJECTOR LEVER
5. CARD HOLDER EJECTION DISTANCE: 5.0±0.3mm
6. LEVER FACE TO BE COLOURED BLACK WITH ALCOHOL BASED INK.

SEE SHEET 1 EC NO: E2012-0058 DRW:DSHEA 2011/08/30 CHKD:SMCGREVV 2011/09/01 APPR:EFOLAN 2011/10/13	DESCRIPTION SIM CONNECTOR ASSY	QUALITY SYMBOLS		GENERAL TOLERANCES (UNLESS SPECIFIED)		DIMENSION STYLE MM ONLY		SCALE 3:1	DESIGN UNITS METRIC	THIRD ANGLE PROJECTION	
		$\nabla = 0$ $\triangle = 0$	mm	INCH	DRAWN BY RFORREY	DATE 2006/11/27	TITLE SIM CONNECTOR ASSY				
			4 PLACES ± ---	± ---	CHECKED BY FDUGGAN	DATE 2006/11/27	MATERIAL NO. 912283016				
			3 PLACES ± ---	± ---	APPROVED BY EFOLAN	DATE 2006/11/27	DOCUMENT NO. SD-91228-001				
		2 PLACES ± 0.05	± ---	ANGULAR ± 2 °		SIZE A3		THIS DRAWING CONTAINS INFORMATION THAT IS PROPRIETARY TO MOLEX INCORPORATED AND SHOULD NOT BE USED WITHOUT WRITTEN PERMISSION			
		1 PLACE ± 0.1	± ---	DRAFT WHERE APPLICABLE MUST REMAIN WITHIN DIMENSIONS				SHEET NO. 6 OF 6			

PART NO	DESCRIPTION	TYPE OF REEL
91228-0001 & 91228-3001	SIM CONNECTOR WITHOUT PEGS	CARDBOARD
91228-0002 & 91228-3002	SIM CONNECTOR WITH PEGS	CARDBOARD
91228-0012 & 91228-3012	SIM CONNECTOR WITH PEGS	CARDBOARD
91228-0007 & 91228-3007	SIM CONNECTOR WITH PEGS	CARDBOARD
91228-3019	SIM CONNECTOR WITHOUT PEGS	PLASTIC



- NOTES:
- 1) MATERIAL :  
CARRIER TAPE : VOLUME CONDUCTIVE POLYSTYRENE, 0.40 REF THICK, BLACK  
COVER TAPE : COLD SEAL POLYESTER, 0.08 REF THICK TRANSPARENT
  - 2) PITCH TOLERANCE OVER ANY 10 PITCHES + 0.2 MM
  - 3) REEL FORCE OF THE COVER TAPE IS 0.1 N TO 1.0 N  
AT A MAXIMUM REEL SPEED OF 300 MM/MIN + 10%
  - 4) PACKAGING SPEC, PK-91228-002
  - 5) REFERENCE TO IEC 286-3 EXCEPT WHERE NOTED

ADD REEL OPTION  
EC NO: E2012-0058  
DRAWN SHEA 2011/08/31  
CHKD: SMC GREEV 2011/09/01  
APPROVED: AN 2011/10/13

QUALITY SYMBOLS	GENERAL TOLERANCES (UNLESS SPECIFIED)	
	mm	INCH
▽=0	4 PLACES ± .---	± .---
▽=0	3 PLACES ± .---	± .---
	2 PLACES ± 0.10	± .---
	1 PLACE ± 0.20	± .---
	ANGULAR ± 2 °	

DRAFT WHERE APPLICABLE MUST REMAIN WITHIN DIMENSIONS

DIMENSION STYLE		SCALE	DESIGN UNITS	THIRD ANGLE PROJECTION
MM/IN	1:1	METRIC		

SCALE 10:1

MOLEX REEL

TO CUSTOMER ASSEMBLY MACHINE

MOLEX INCORPORATED

SDA-91228-9001

SHEET NO. 1 OF 4