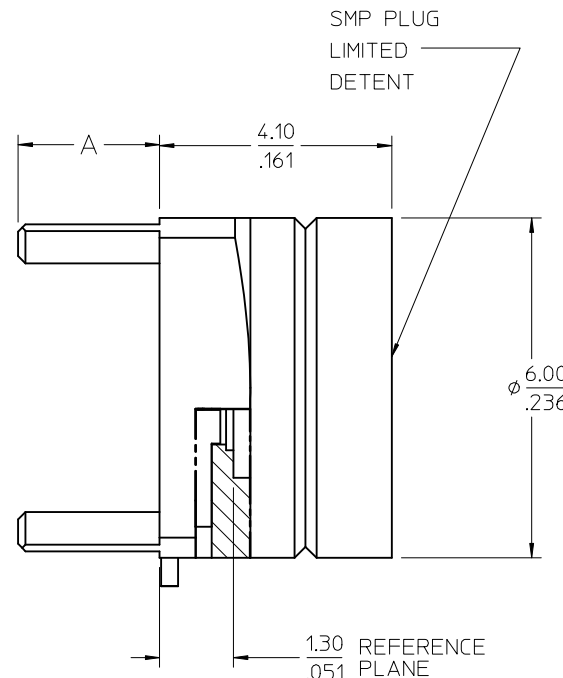
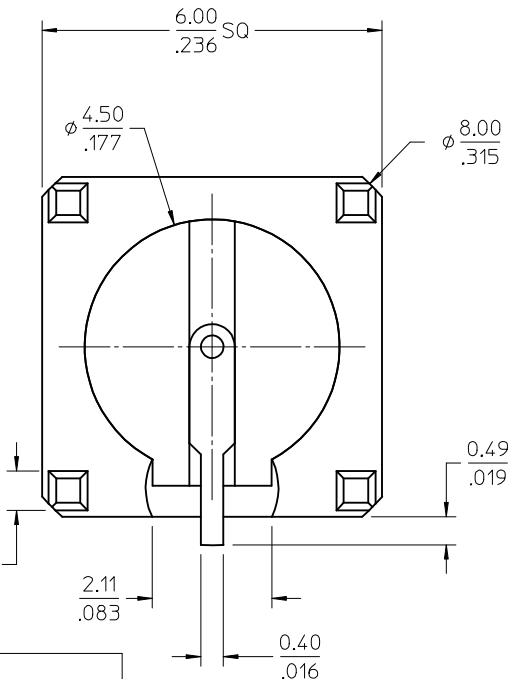
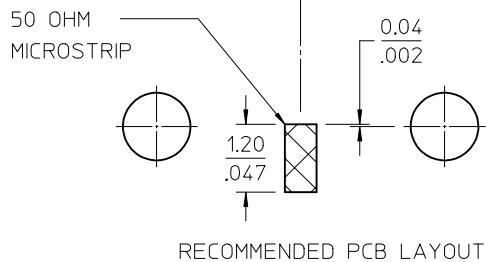
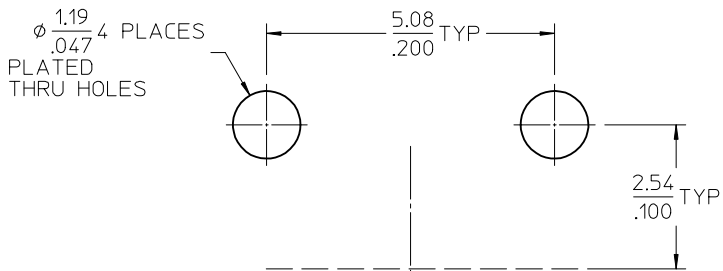


MATERIALS AND FINISHES:

BODY, CENTER CONTACT: BRASS
FINISH: GOLD

INSULATOR: PEEK OR LCP

TAPE AND REEL: SEE SHEET 2



73415-3317	.067 / 1.70	ONE PER BAG (73415-3313)
73415-3316	.098 / 2.50	ONE PER BAG (73415-3311)
73415-3315	.135 / 3.43	TRAY PACK (73415-3314)
73415-3314	.135 / 3.43	TAPE AND REEL (750 PARTS PER REEL)
73415-3313	.067 / 1.70	TRAY PACK (73415-3312)
73415-3312	.067 / 1.70	TAPE AND REEL (750 PARTS PER REEL)
73415-3311	.098 / 2.50	TRAY PACK (73415-3310)
73415-3310	.098 / 2.50	TAPE AND REEL (750 PARTS PER REEL)
PART NO.	IN / MM	PACKAGING
	DIM A	

PS-89675-3320		PRODUCT SPECIFICATION	
SPECIFICATION		DESCRIPTION	
GENERAL TOLERANCES (UNLESS SPECIFIED)		DIMENSION STYLE	SCALE
		MM/IN	DESIGN UNITS
			METRIC
			THIRD ANGLE PROJECTION
DRAWN BY		DATE	TITLE
JLEE02		2010/11/01	SMP PLUG STRAIGHT PCB
CHECKED BY		DATE	LIMITED DETENT, EWR-1359
SSS		2010/11/05	SMP-P/PCB
APPROVED BY		DATE	MATERIAL NO.
JWIENER		2010/11/11	SD-73415-331
ANGULAR ± 2 °		SIZE	SHEET NO.
DRAFT WHERE APPLICABLE MUST REMAIN WITHIN DIMENSIONS		SEE TABLE	1 OF 2
THIS DRAWING CONTAINS INFORMATION THAT IS PROPRIETARY TO MOLEX INCORPORATED AND SHOULD NOT BE USED WITHOUT WRITTEN PERMISSION			

CHG: ADD -3317

EC NO: URF2014-0230

DRWN: JWIENER 2013/10/16

CHKD: SSS 2013/10/16

APPR: JWIENER 2013/10/18

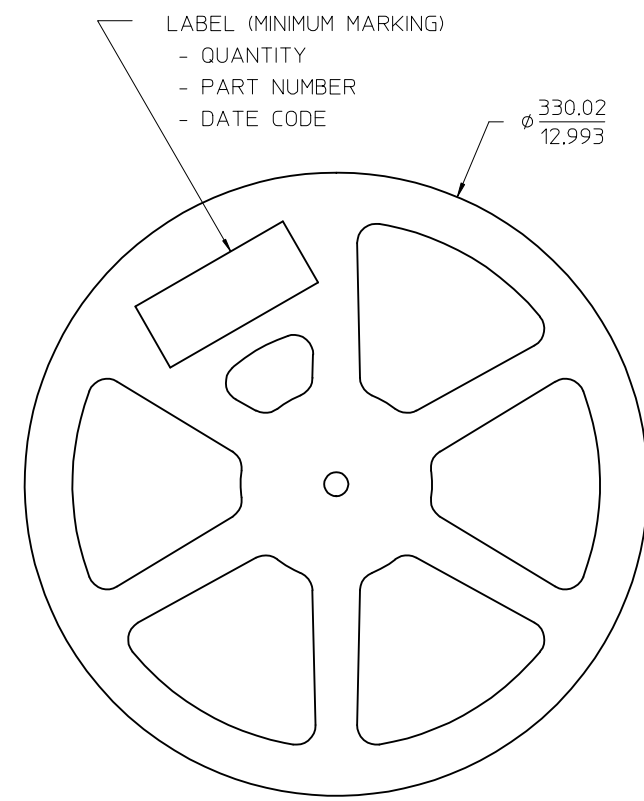
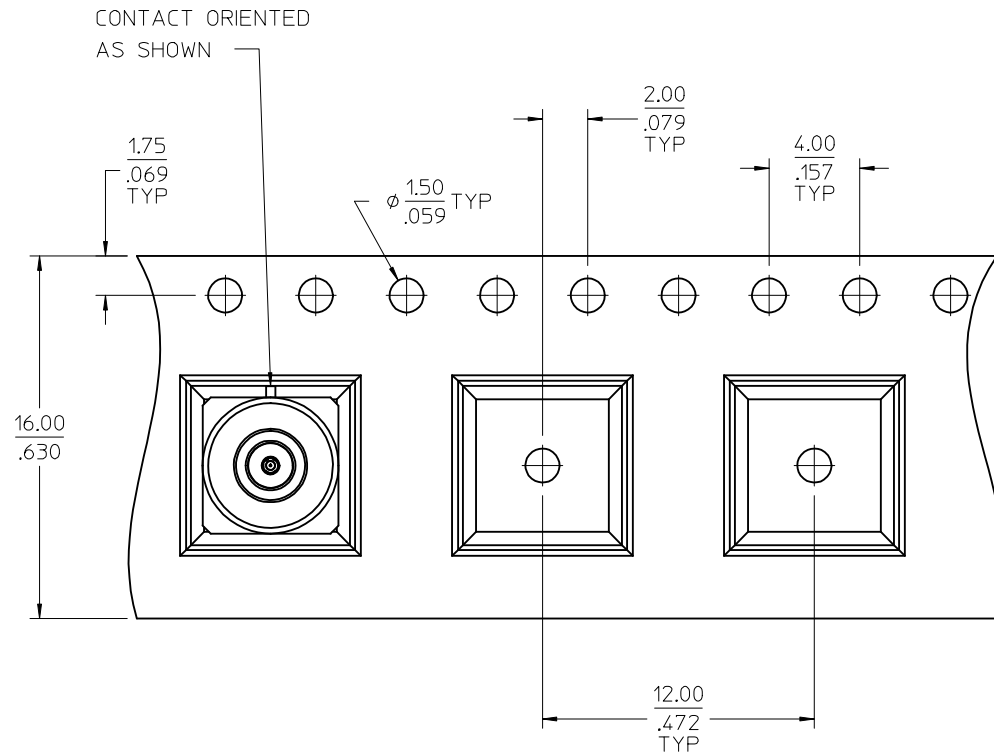
REV DESCRIPTION

QUALITY SYMBOLS

▽=0

▽=0

C8



CHG: SEE SHEET 1 EC NO: URF2014-0230 DRWN: JWIENER 2013/10/16 CHKD: SSS 2013/10/16 APPR: JWIENER 2013/10/18	QUALITY SYMBOLS ▽=0 ▽=0	GENERAL TOLERANCES (UNLESS SPECIFIED)		DIMENSION STYLE	SCALE	DESIGN UNITS	THIRD ANGLE PROJECTION	
				MM/IN	1:2	METRIC		
				DRAWN BY	DATE	TITLE		
				CHECKED BY	DATE	SMP PLUG STRAIGHT PCB LIMITED DETENT, EWR-1359 SMP-P/PCB		
C8 REV	DESCRIPTION	4 PLACES ± --- ± --- 3 PLACES ± --- ± --- 2 PLACES ± --- ± --- 1 PLACE ± --- ± ---		APPROVED BY	DATE	MOLEX INCORPORATED		
		ANGULAR ± 2 °		JWIENER	2010/11/11	DOCUMENT NO.		
		DRAFT WHERE APPLICABLE MUST REMAIN WITHIN DIMENSIONS		SEE SHEET 1		SD-73415-331		SHEET NO. 2 OF 2
		THIS DRAWING CONTAINS INFORMATION THAT IS PROPRIETARY TO MOLEX INCORPORATED AND SHOULD NOT BE USED WITHOUT WRITTEN PERMISSION						