

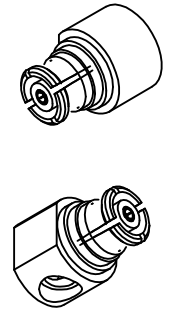
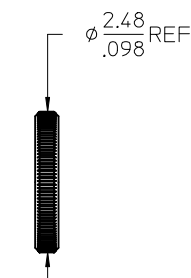
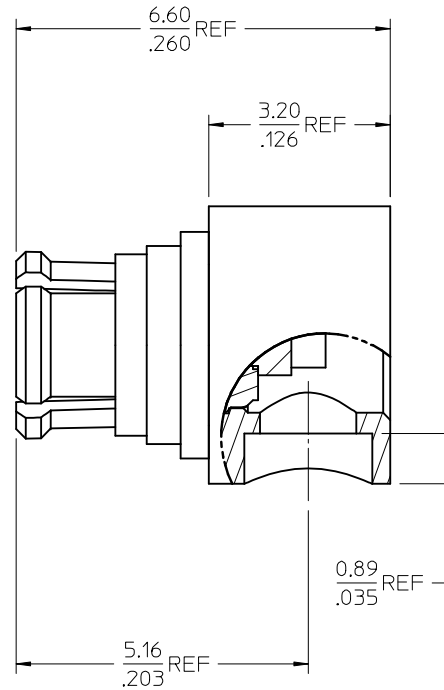
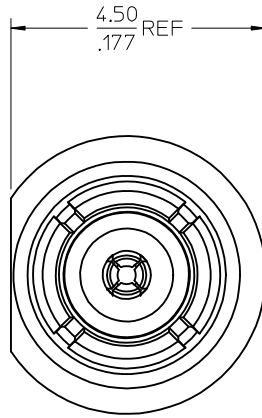
MATERIALS AND FINISHES

BODY: BERYLLIUM COPPER
PLATED GOLD

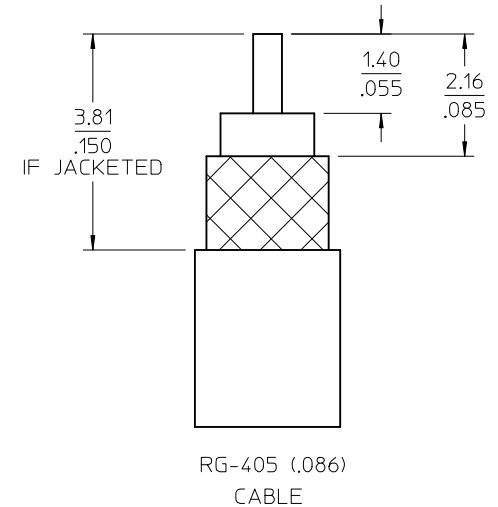
CONTACT: BERYLLIUM COPPER
PLATED GOLD

INSULATOR: TEFLON

EMI RING, CAP: BRASS
PLATED GOLD



MIL-STD-348A, FIG. 326.1	INTERFACE
SPECIFICATION	DESCRIPTION



73415-3035	MOLEX INTERNAL USE ONLY NOT AVAILABLE	N/A	N/A	N/A
73415-3034	BULK PACK	30 u"	30 u"	30 u"
73415-3033	BULK PACK	8 u"	8 u"	8 u"
73415-3032	PLACE 73415-3030 INTO SMALL TRAY	30 u"	50 u"	30 u"
73415-3031	1 COMPLETE ASSEMBLY 73415-3030 PER BAG	30 u"	50 u"	30 u"
73415-3030	BULK PACK	30 u"	50 u"	30 u"
PART NO.	PACKAGING	GOLD ON BODY	GOLD ON CONT	GOLD RING/CAP

CHG: UPDATE VIEW EC NO: URF2013-0460 DRWN: JWIENER 2013/02/08 CHKD: SSS 2013/02/08 APPR: JWIENER 2013/02/11 A9	QUALITY SYMBOLS ▽=0 ▽=0	GENERAL TOLERANCES (UNLESS SPECIFIED) <table border="1"> <tr> <th></th> <th>mm</th> <th>INCH</th> </tr> <tr> <td>4 PLACES</td> <td>± .005</td> <td>± .0005</td> </tr> <tr> <td>3 PLACES</td> <td>± .005</td> <td>± .0005</td> </tr> <tr> <td>2 PLACES</td> <td>± .005</td> <td>± .0005</td> </tr> <tr> <td>1 PLACE</td> <td>± .005</td> <td>± .0005</td> </tr> </table> ANGULAR ± 2°		mm	INCH	4 PLACES	± .005	± .0005	3 PLACES	± .005	± .0005	2 PLACES	± .005	± .0005	1 PLACE	± .005	± .0005	DIMENSION STYLE MM/IN	SCALE DESIGN UNITS METRIC	THIRD ANGLE PROJECTION
				mm	INCH															
4 PLACES	± .005	± .0005																		
3 PLACES	± .005	± .0005																		
2 PLACES	± .005	± .0005																		
1 PLACE	± .005	± .0005																		
DRAWN BY SSS	DATE 2001/03/29	TITLE SMP JACK, R/A FOR 086 CABLE, 50 OHM SMP-JC	MOLEX INCORPORATED	SHEET NO. 1 OF 1																