

注記 NOTES:

1. 使用材料 MATERIAL

ハウジング: 液晶ポリマー(LCP),
 ガラス充填, UL 94V-0, 色: 黒
 HOUSING: LIQUID CRYSTAL POLYMER,
 GLASS FILLED, UL 94V-0, COLOR: BLACK
 ターミナル: リン青銅 (t=0.15)
 TERMINAL: PHOSPHOR BRONZE (t=0.15)

2. メッキ仕様 PLATING

金メッキ 0.25 マイクロメートル以上 (コンタクト部)
 GOLD(Au) 0.25 MICROMETER MINIMUM (CONTACT AREA)

金メッキ (テール部)
 GOLD PLATING (SOLDER TAIL AREA)

下地メッキ: ニッケルメッキ 1.5 マイクロメートル以上
 UNDER PLATING: NICKEL 1.5 MICROMETER MINIMUM

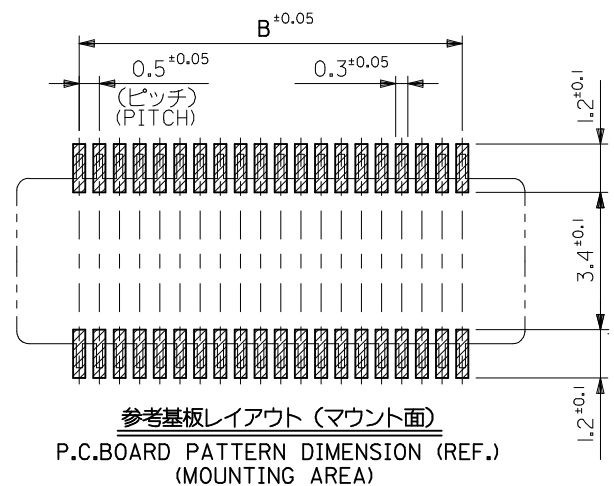
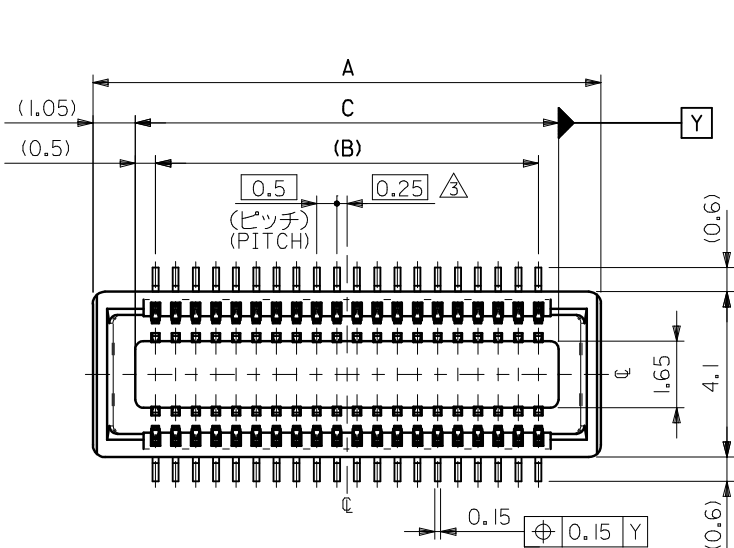
*コンタクト部とテール部はニッケルメッキによって
 分断されている金メッキです。
 DIVIDE INTO PARTS THE GOLD PLATING OF
 THE CONTACT PART AND THE TAIL PART BY
 THE NICKEL PLATING.

△ (全極数/2) = 偶数の場合に適用。
 APPLY FOR (CIRCUIT/2)=EVEN.

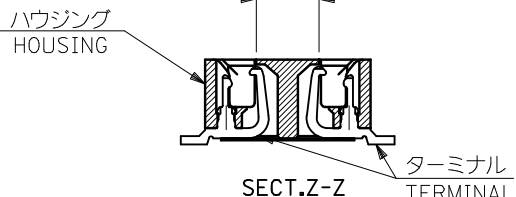
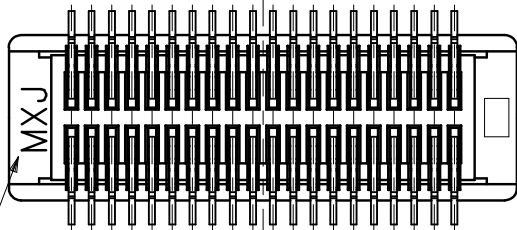
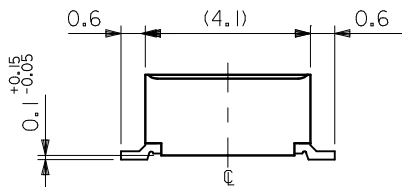
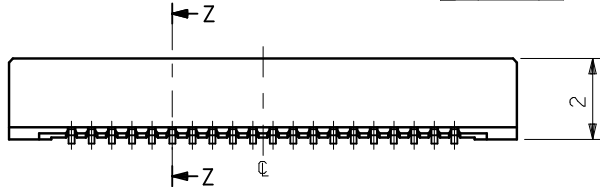
4 嵌合相手: 53885 / 500334 シリーズ
 MATE WITH: 53885 / 500334 SERIES.

5 テール平坦度は、0.1MAX.
 TAIL COPLANARITY TO BE 0.1 MAXIMUM.

6 ELV及びRoHS適合品。
 ELV AND RoHS COMPLIANT.



参考基板レイアウト (マウント面)
 P.C. BOARD PATTERN DIMENSION (REF.)
 (MOUNTING AREA)

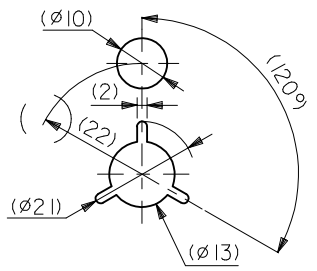
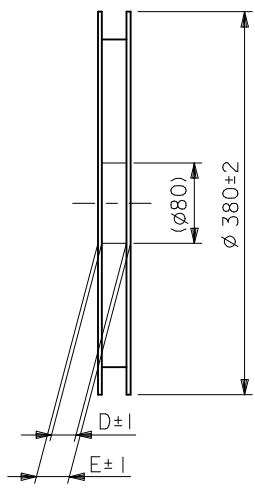
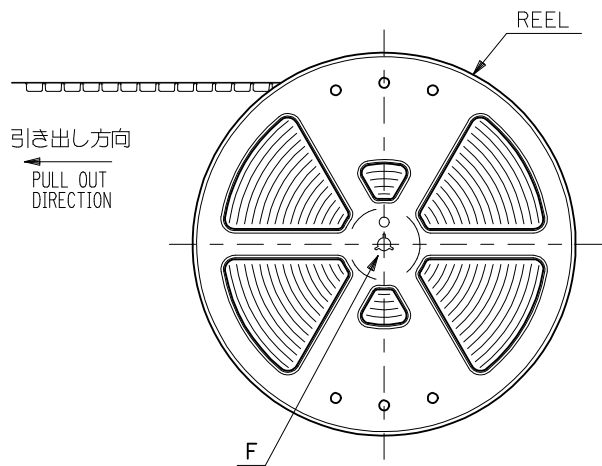


トレードマーク
 TRADE MARK

20.5	19.5	22.6	54102-0804	80
18.0	17.0	20.1	-0704	70
15.5	14.5	17.6	-0604	60
13.0	12.0	15.1	-0504	50
10.5	9.5	12.6	-0404	40
8.0	7.0	10.1	-0304	30
5.5	4.5	7.6	-0204	20
4.5	3.5	6.6	54102-0164	16
C	B	A	EMBOSSED PACKAGE オーダー番号 ORDER No.	極数 CIRCUIT

CONNECTOR SERIES No. 54102-***3

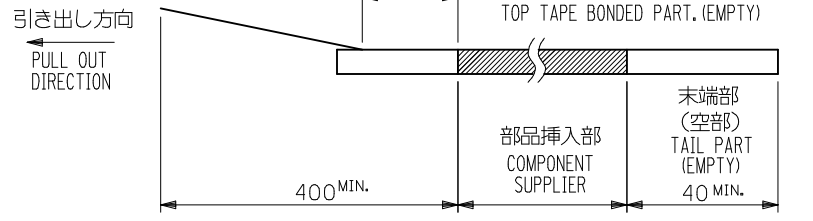
REVISED EC NO: J2013-1267 DRWN: TARA 01 CHKD: TASAKAWA APPR: MSASAO 2013/05/07 2013/05/08 2013/05/10	GENERAL TOLERANCES (UNLESS SPECIFIED)		DIMENSION STYLE MM ONLY		SCALE ---	DESIGN UNITS METRIC	THIRD ANGLE PROJECTION
	10 UNDER	±0.2	DRAWN BY Y. SAKIYA	DATE 2004/05/06	TITLE 0.5 B-TO-B CONN REC HSG ASSY (HGT=2.5) [NI BARRIER]		
	10 OVER 30 UNDER	±0.25	CHECKED BY M. SASAO	DATE 2004/05/06	molex DOCUMENT NO. SD-54102-006 SHEET NO. 1 OF 1		
	30 OVER	±0.3	APPROVED BY M. SASAO	DATE 2004/05/06			
ANGULAR ±3 °	DRAFT WHERE APPLICABLE MUST REMAIN WITHIN DIMENSIONS	MATERIAL NO. SEE CHART	THIS DRAWING CONTAINS INFORMATION THAT IS PROPRIETARY TO MOLEX INCORPORATED AND SHOULD NOT BE USED WITHOUT WRITTEN PERMISSION				



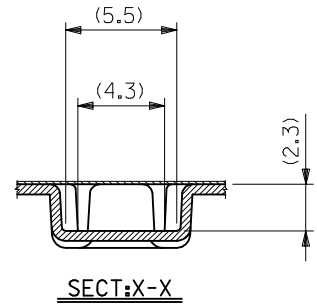
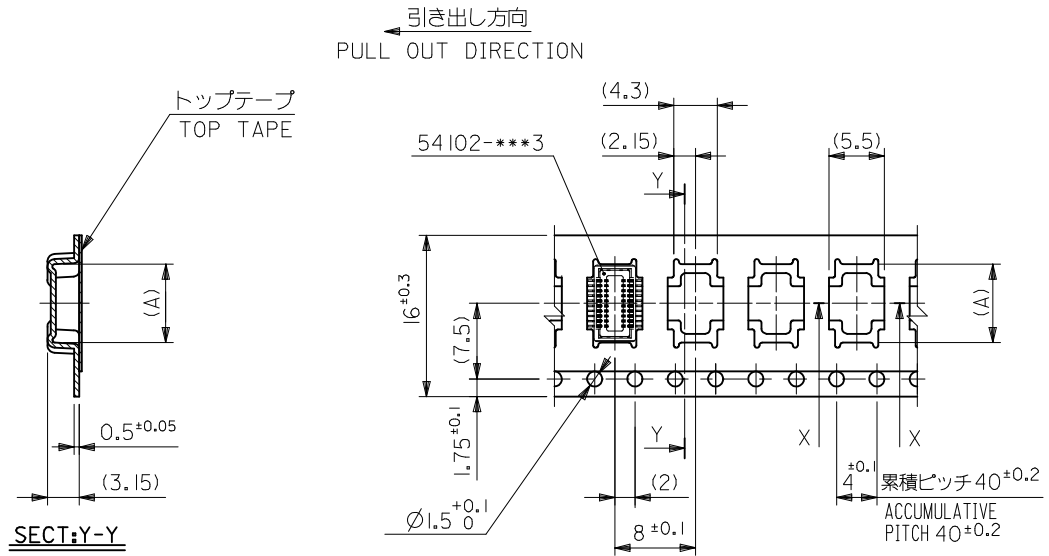
DETAIL F

NOTES

- 製品詳細寸法については図面 SD-54102-006 を参照下さい。
RE DETAILED DIMENSION, SEE SD-54102-006 .
- 梱包数量：3000個/リール
NUMBER OF CONNECTORS : 3000PCS/REEL
- リードテープ長さ LEAD TAPE LENGTH
20PCS. MIN. トップテープ接着部 (空エンボス)
TOP TAPE BONDED PART. (EMPTY)
部品挿入部
COMPONENT SUPPLIER
末端部 (空部)
TAIL PART (EMPTY)
40 MIN.
- カバーテープの剥離強度については、IEC60286-3に準拠
COVER TAPE PEEL FORCE IS DEFINED BY IEC60286-3.
- 材料 (MATERIAL)
キャリアテープ (CARRIER TAPE) : ポリプロピレン (POLYPROPYLENE)
トップテープ (TOPTAPE) : PET , PE , PEF
リール (REEL) : ポリスチレン (PS) <リサイクル材を含む>
POLYSTYRENE (PS) <RECYCLE MATERIAL CONTAINED>



REVISED EC NO: J2013-1267 DRWN: TARA101 CHKD: TASAKAWA APPR: MSASAO	2013/05/07 2013/05/08 2013/05/10	DESCRIPTION REV	GENERAL TOLERANCES (UNLESS SPECIFIED)		DIMENSION STYLE MM ONLY		SCALE ---	DESIGN UNITS METRIC	THIRD ANGLE PROJECTION	
			10 UNDER	±0.2	DRAWN BY Y. SAKIYA	DATE 2004/05/06	TITLE EMBSTP PKG FOR 0.5 B/B REC HSG ASSY (H=2.5) [NI BARRIER]-LEAD FREE-			
			10 OVER 30 UNDER	±0.25	CHECKED BY M. SASAO	DATE 2004/05/06				
			30 OVER	±0.3	APPROVED BY M. SASAO	DATE 2004/05/06				
ANGULAR ±3 °		DRAFT WHERE APPLICABLE MUST REMAIN WITHIN DIMENSIONS		THIS DRAWING CONTAINS INFORMATION THAT IS PROPRIETARY TO MOLEX INCORPORATED AND SHOULD NOT BE USED WITHOUT WRITTEN PERMISSION						



16mm幅キャリアテープ
16mm WIDTH CARRIER TAPE

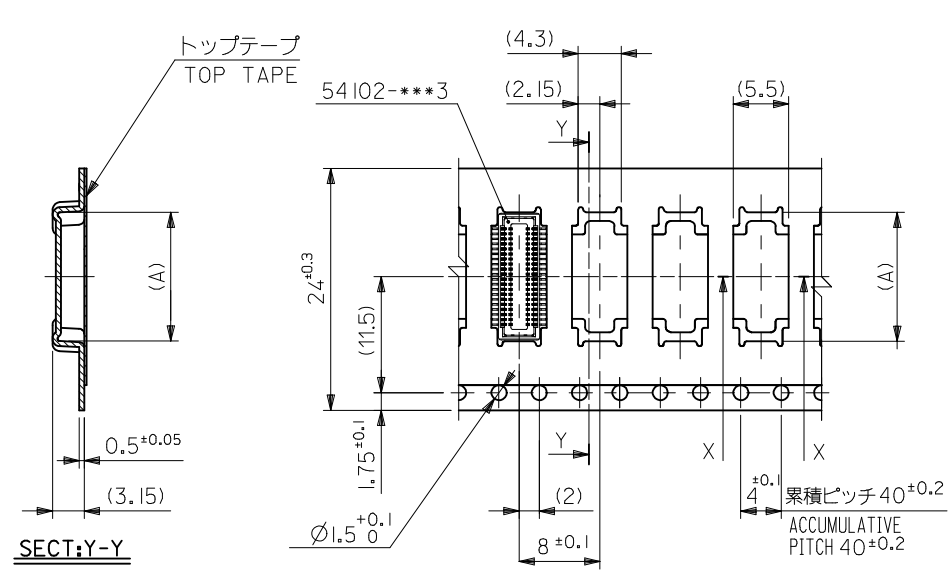
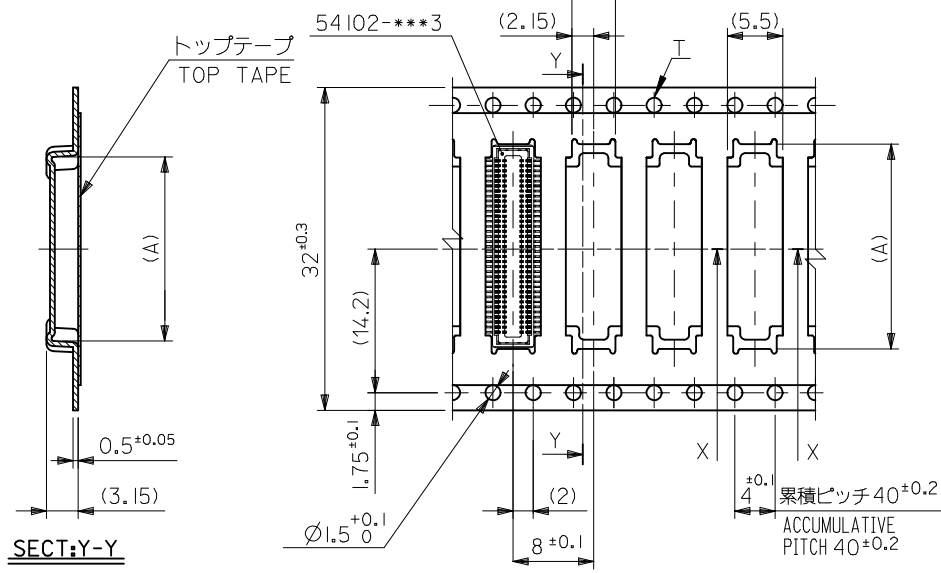
16	21.4	17.4	7.8	54102-0204	20
キャリアテープ幅 CARRIER TAPE WIDTH	E	D	6.8	54102-0164	16
		(A)		EMBOSSED TAPE PACKAGE ORDER No.	極致 CIRCUITS

CONNECTOR SERIES No. 54102-***4

REVISED EC NO: J2013-1267 DRWN: TARA101 CHKD: TASAKAWA APPR: MSASAO 2013/05/07 2013/05/08 2013/05/10	DESCRIPTION REV	GENERAL TOLERANCES (UNLESS SPECIFIED)		DIMENSION STYLE MM ONLY		SCALE ---		DESIGN UNITS METRIC		THIRD ANGLE PROJECTION		
		10 UNDER	±0.2	DRAWN BY	DATE	TITLE						
		10 OVER 30 UNDER	±0.25	Y. SAKIYA	2004/05/06	EMBSTP PKG FOR 0.5 B/B REC HSG ASSY (H=2.5) [NI BARRIER]-LEAD FREE-						
		30 OVER	±0.3	M. SASAO	2004/05/06	molex						
ANGULAR ±3 °		APPROVED BY	DATE	MATERIAL NO.								
DRAFT WHERE APPLICABLE MUST REMAIN WITHIN DIMENSIONS		SEE CHRAT		SD-54102-007		2 OF 4		THIS DRAWING CONTAINS INFORMATION THAT IS PROPRIETARY TO MOLEX INCORPORATED AND SHOULD NOT BE USED WITHOUT WRITTEN PERMISSION				

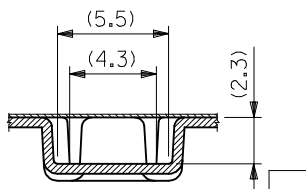
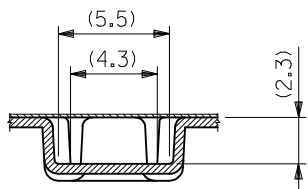
引き出し方向
PULL OUT DIRECTION

引き出し方向
PULL OUT DIRECTION



SECT:Y-Y

SECT:Y-Y

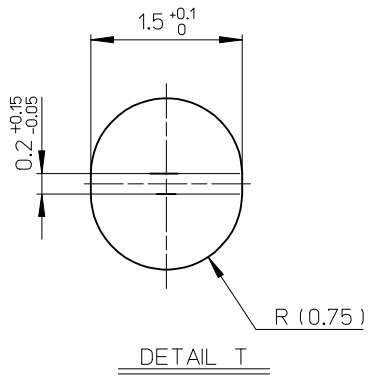


SECT:X-X

SECT:X-X

32mm幅キャリアテープ
32mm WIDTH CARRIER TAPE

24mm幅キャリアテープ
24mm WIDTH CARRIER TAPE



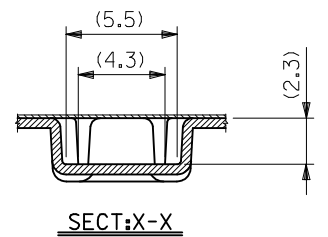
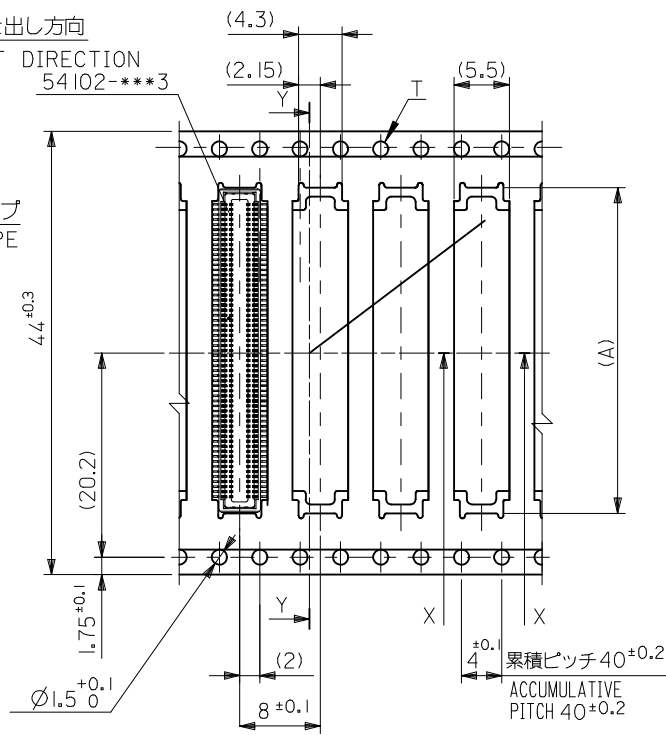
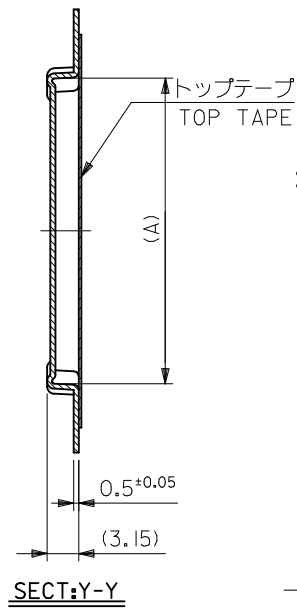
DETAIL T

32	37.4	33.4	20.3	54102-0704	70
			17.8	54102-0604	60
24	29.4	25.4	15.3	54102-0504	50
			12.8	54102-0404	40
			10.3	54102-0304	30
キャリアテープ幅 CARRIER TAPE WIDTH	E	D	(A)	EMBOSSED TAPE PACKAGE ORDER No.	極数 CIRCUITS

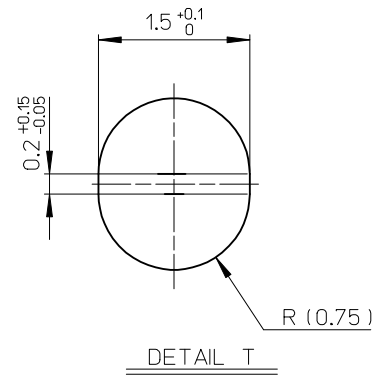
CONNECTOR SERIES No. 54102-***4

REVISED EC NO: J2013-1267 DRWN: TARA101 CHKD: TASAKAWA APPR: MSASAO 2013/05/07 2013/05/08 2013/05/10	GENERAL TOLERANCES (UNLESS SPECIFIED)		DIMENSION STYLE MM ONLY		SCALE ---		DESIGN UNITS METRIC		THIRD ANGLE PROJECTION	
	10 UNDER	±0.2	DRAWN BY	DATE	TITLE					
	10 OVER 30 UNDER	±0.25	Y. SAKIYA	2004/05/06	EMBSTP PKG FOR 0.5 B/B REC HSG ASSY (H=2.5) [NI BARRIER]-LEAD FREE-					
	30 OVER	±0.3	M. SASAO	2004/05/06						
	ANGULAR	±3 °	APPROVED BY	DATE	MATERIAL NO.		DOCUMENT NO.		SHEET NO.	
DRAFT WHERE APPLICABLE MUST REMAIN WITHIN DIMENSIONS		M. SASAO 2004/05/06		SEE CHART		SD-54102-007		3 OF 4		
THIS DRAWING CONTAINS INFORMATION THAT IS PROPRIETARY TO MOLEX INCORPORATED AND SHOULD NOT BE USED WITHOUT WRITTEN PERMISSION										

引き出し方向
PULL OUT DIRECTION
54102-***3



44mm幅キャリアテープ
44mm WIDTH CARRIER TAPE



44	49.4	45.4	22.8	54102-0804	80
キャリアテープ幅 CARRIER TAPE WIDTH	E	D	(A)	EMBOSSED TAPE PACKAGE ORDER No.	極致 CIRCUITS

CONNECTOR SERIES No. 54102-***4

REVISED EC NO: J2013-1267 DRWN: TARA101 CHKD: TASAKAWA APPR: MSASAO	DESCRIPTION 2013/05/07 2013/05/08 2013/05/10	GENERAL TOLERANCES (UNLESS SPECIFIED)		DIMENSION STYLE		SCALE		DESIGN UNITS		TITLE EMBSTP PKG FOR 0.5 B/B REC HSG ASSY (H=2.5) [NI BARRIER]-LEAD FREE- molex DOCUMENT NO. SD-54102-007 SHEET NO. 4 OF 4	
		10 UNDER ±0.2		MM ONLY		---		METRIC			THIRD ANGLE PROJECTION
		10 OVER 30 UNDER ±0.25		DRAWN BY DATE		Y. SAKIYA 2004/05/06		TITLE			
		30 OVER ±0.3		CHECKED BY DATE		M. SASAO 2004/05/06		[NI BARRIER]-LEAD FREE-			
ANGULAR ±3 °		APPROVED BY DATE		MSASAO 2013/05/10		MATERIAL NO.		SEE CHART			
DRAFT WHERE APPLICABLE MUST REMAIN WITHIN DIMENSIONS		SIZE		A3		THIS DRAWING CONTAINS INFORMATION THAT IS PROPRIETARY TO MOLEX INCORPORATED AND SHOULD NOT BE USED WITHOUT WRITTEN PERMISSION					