

REVISED EC NO.: J2012-0856 DRWN:KMIYAHARA 2012/01/05 CHKD:KMIYAHARA 2012/01/05 APPR:KMORIKAWA 2012/02/07	DESCRIPTION	GENERAL TOLERANCES (UNLESS SPECIFIED)		DIMENSION STYLE MM ONLY		SCALE ---	52610-**15	MODEL NO.	
		10 UNDER	±0.2	DRAWN BY M. NABEI	DATE '05/07/21	TITLE	DESIGN UNITS METRIC	THIRD ANGLE PROJECTION	
		10 OVER 30 UNDER	±0.25	CHECKED BY K. TOYODA	DATE '05/07/21	1.0 FPC CONN ZIF FOR SMT ST -LEAD FREE-	MOLEX INCORPORATED	SD-52610-036	SHEET NO. 1 OF 2
		30 OVER	±0.3	APPROVED BY N. UKITA	DATE '05/07/21				
		ANGULAR ±3 °	DRAFT WHERE APPLICABLE MUST REMAIN WITHIN DIMENSIONS		THIS DRAWING CONTAINS INFORMATION THAT IS PROPRIETARY TO MOLEX INCORPORATED AND SHOULD NOT BE USED WITHOUT WRITTEN PERMISSION				

注記 (NOTES) :

1. 材料 (MATERIAL)

ハウジング (HOUSING) : 46NYLON , UL94V-0
 アクチュエータ (ACTUATOR) : PPS , UL94V-0
 ターミナル (TERMINAL) : リン青銅 (t O. 32)

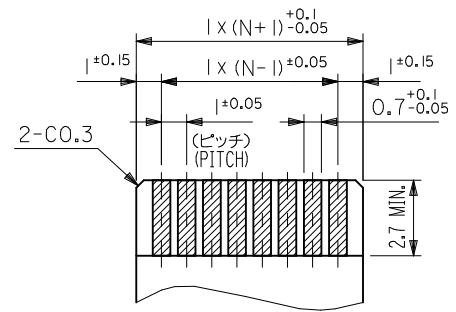
△ 偶数極に適用。
 APPLY FOR EVEN CIRCUIT.

5. 本製品は 52610 シリーズの接点金メッキ品である。
 THIS PRODUCT IS Au-CONTACT OF 52610 SERIES.

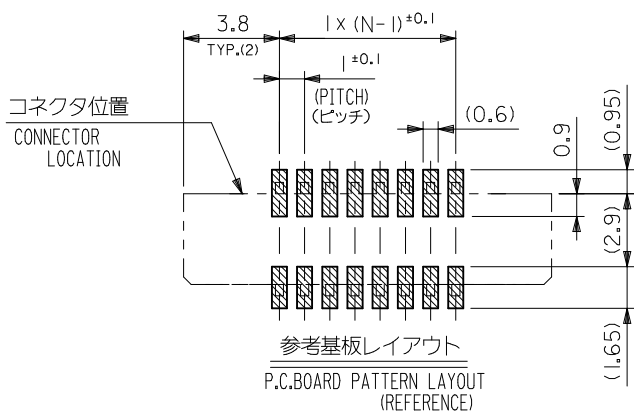
PHOS-BRO
 接点部 : 金メッキ 0.1μm 以上
 テール部 : 錫メッキ 1μm 以上
 下地 : ニッケルメッキ 1μm 以上
 CONTACT : GOLD 0.1 MICROMETER MINIMUM
 TAIL : MATTE TIN 1 MICROMETER MINIMUM
 NICKEL : UNDER 1 MICROMETER MINIMUM

2. エンボステープ梱包時は、アクチュエータがロックした状態とする。
 IN THE PACKAGE , ACTUATOR OF PART NO. 52610-**59 SHOULD BE LOCKED.

△ ソルダータール半田付け面のズレ量は、基準面 [F] に対し上方向 0.05 MAX.、
 下方向 0.15 MAX. とする。
 MISALIGNMENT OF SOLDER TAILS FROM [F] UPPER DIRECTION : 0.05 MAX. ,
 LOWER DIRECTION : 0.15 MAX.



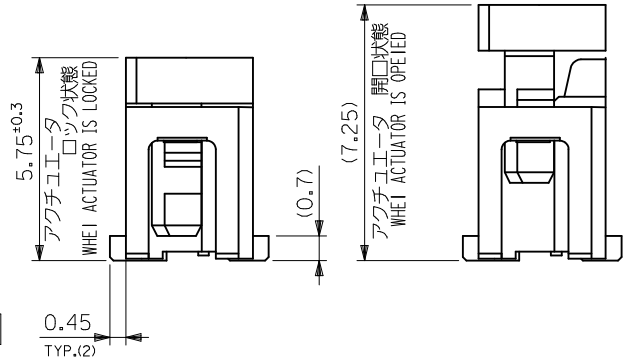
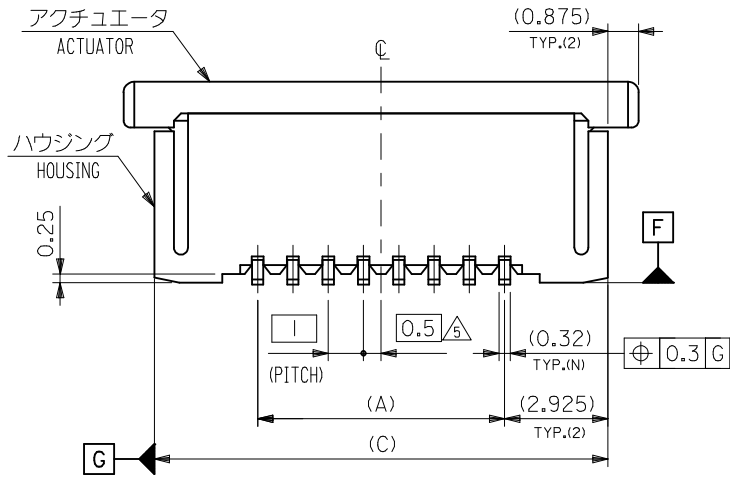
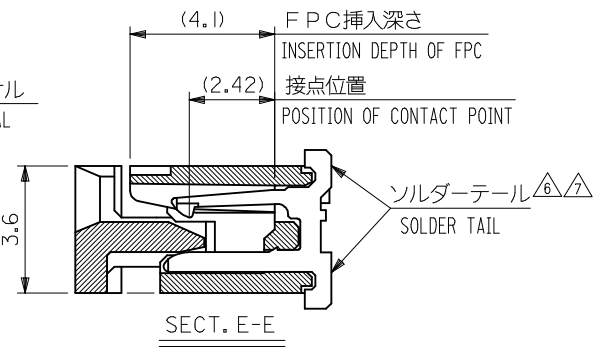
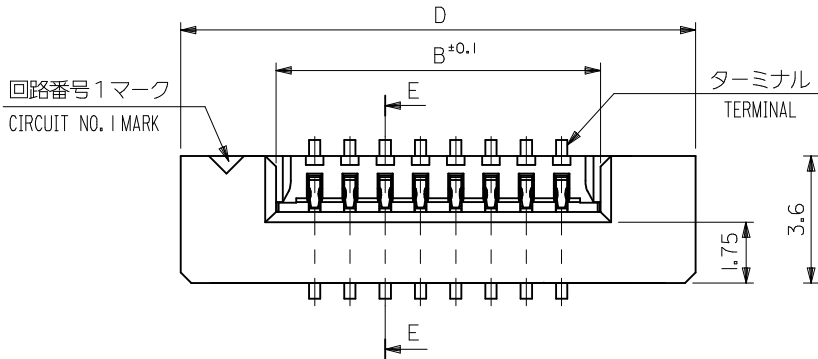
適合 FPC 推奨寸法
 APPLICABLE FPC RECOMMENDED DIM.
 仕上がり厚さ (THICKNESS) : 0.3 ± 0.05



36.6	34.85	31.2	29	52610-3072	52610-3015	30
32.6	30.85	27.2	25	52610-2672	52610-2615	26
31.6	29.85	26.2	24	52610-2572	52610-2515	25
30.6	28.85	25.2	23	52610-2472	52610-2415	24
28.6	26.85	23.2	21	52610-2272	52610-2215	22
26.6	24.85	21.2	19	52610-2072	52610-2015	20
25.6	23.85	20.2	18	52610-1972	52610-1915	19
24.6	22.85	19.2	17	52610-1872	52610-1815	18
23.6	21.85	18.2	16	52610-1772	52610-1715	17
22.6	20.85	17.2	15	52610-1672	52610-1615	16
21.6	19.85	16.2	14	52610-1572	52610-1515	15
20.6	18.85	15.2	13	52610-1472	52610-1415	14
19.6	17.85	14.2	12	52610-1372	52610-1315	13
18.6	16.85	13.2	11	52610-1272	52610-1215	12
17.6	15.85	12.2	10	52610-1172	52610-1115	11
16.6	14.85	11.2	9	52610-1072	52610-1015	10
15.6	13.85	10.2	8	52610-0972	52610-0915	9
14.6	12.85	9.2	7	52610-0872	52610-0815	8
12.6	10.85	7.2	5	52610-0672	52610-0615	6
11.6	9.85	6.2	4	52610-0572	52610-0515	5

52610-**15	D	(C)	B	(A)	EMBOSSSED TAPE	MATERIAL. NO.	極数 CKT.
MODEL NO.					ORDER No. オーダー番号		

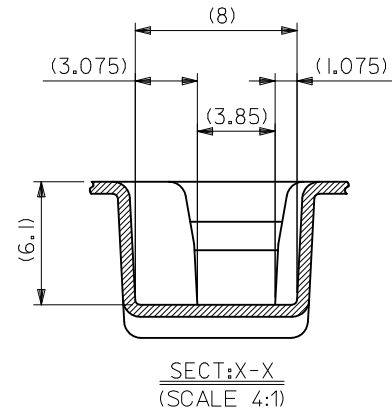
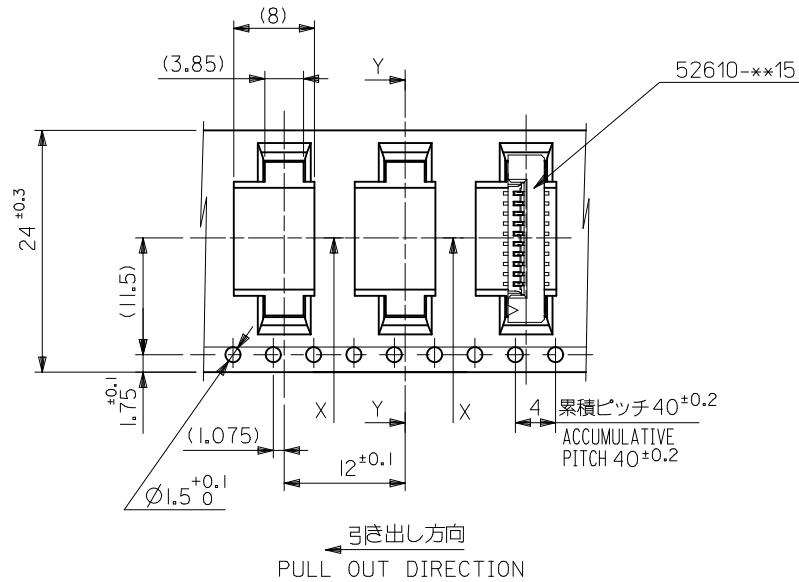
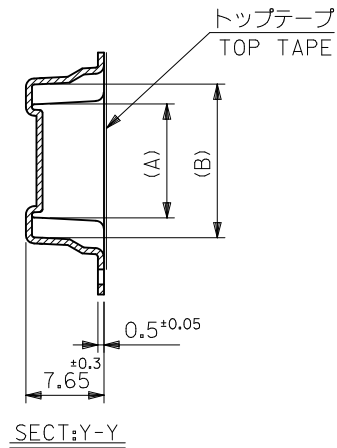
REVISED EC NO. J2012-0856 DRW:KMIYAHARA 2012/01/05 CHKD:KMIYAHARA 2012/01/05 APP:KMORIKAWA 2012/02/07	DESCRIPTION	GENERAL TOLERANCES (UNLESS SPECIFIED)		DIMENSION STYLE MM ONLY		SCALE	DESIGN UNITS	THIRD ANGLE PROJECTION		
		10 UNDER	± 0.2	DRAWN BY	DATE	TITLE	1.0 FPC CONN ZIF FOR SMT ST -LEAD FREE-			
		10 OVER 30 UNDER	± 0.25	CHECKED BY	DATE	MOLEX INCORPORATED				
		30 OVER	± 0.3	APPROVED BY	DATE					
ANGULAR	± 3 °	DRAFT WHERE APPLICABLE MUST REMAIN WITHIN DIMENSIONS		MATERIAL NO.	DOCUMENT NO.	SD-52610-036				
SIZE	THIS DRAWING CONTAINS INFORMATION THAT IS PROPRIETARY TO MOLEX INCORPORATED AND SHOULD NOT BE USED WITHOUT WRITTEN PERMISSION									



36.6	34.85	31.2	29	52610-3033	30
34.6	32.85	29.2	27	52610-2833	28
32.6	30.85	27.2	25	52610-2633	26
31.6	29.85	26.2	24	52610-2533	25
30.6	28.85	25.2	23	52610-2433	24
29.6	27.85	24.2	22	52610-2333	23
28.6	26.85	23.2	21	52610-2233	22
27.6	25.85	22.2	20	52610-2133	21
26.6	24.85	21.2	19	52610-2033	20
25.6	23.85	20.2	18	52610-1933	19
24.6	22.85	19.2	17	52610-1833	18
23.6	21.85	18.2	16	52610-1733	17
22.6	20.85	17.2	15	52610-1633	16
21.6	19.85	16.2	14	52610-1533	15
20.6	18.85	15.2	13	52610-1433	14
19.6	17.85	14.2	12	52610-1333	13
18.6	16.85	13.2	11	52610-1233	12
17.6	15.85	12.2	10	52610-1133	11
16.6	14.85	11.2	9	52610-1033	10
15.6	13.85	10.2	8	52610-0933	9
14.6	12.85	9.2	7	52610-0833	8
13.6	11.85	8.2	6	52610-0733	7
12.6	10.85	7.2	5	52610-0633	6
11.6	9.85	6.2	4	52610-0533	5
D	(C)	B	(A)	EMBOSSED PACKAGE ORDER No. オーダー番号	極数 CKT.

CONNECTOR SERIES NO. : 52610-**22

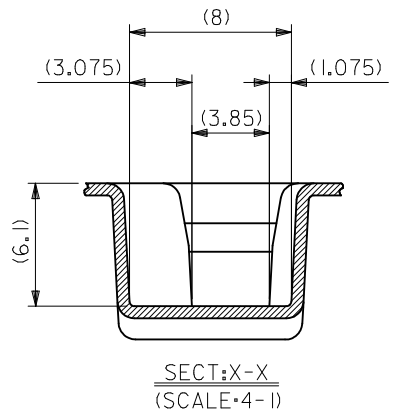
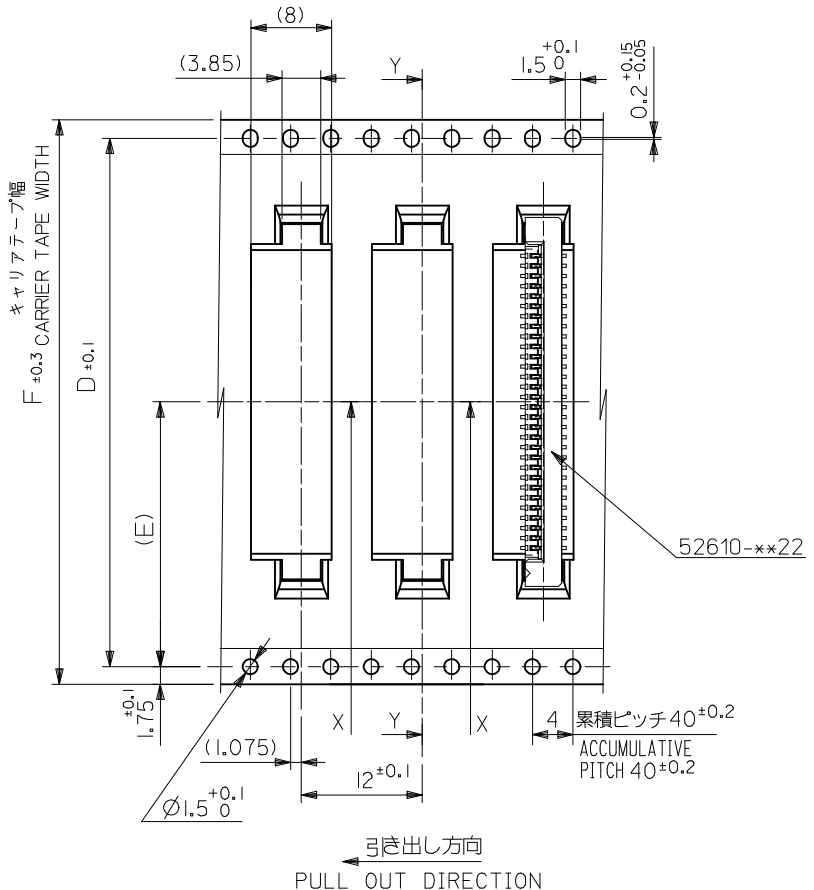
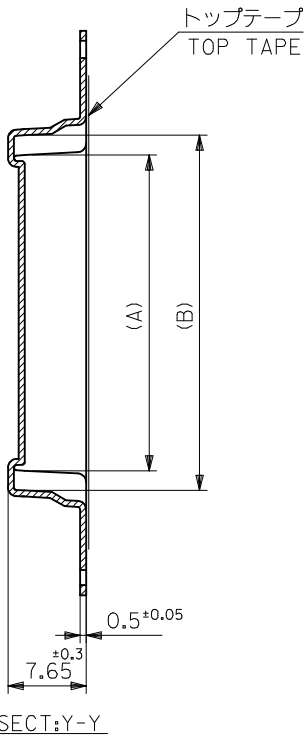
REVISED EC NO. J2014-0096 DRW: AISHII 2013/07/18 CHK: KTAKAHASHI 2013/07/18 APPR: YNOGAWA 2013/08/19	GENERAL TOLERANCES (UNLESS SPECIFIED)		DIMENSION STYLE MM ONLY		SCALE ---	DESIGN UNITS METRIC	THIRD ANGLE PROJECTION	
	10 UNDER ±0.2	10 OVER 30 UNDER ±0.25	30 OVER ±0.3	DRAWN BY NASANUMA	DATE 2012/09/04	TITLE 1.0 FPC CONN ZIF S/T HOUSING ASSY		
	ANGULAR ±3 °			CHECKED BY KTAKAHASHI	DATE 2012/09/04	molex		
	DRAFT WHERE APPLICABLE MUST REMAIN WITHIN DIMENSIONS			APPROVED BY KMORIKAWA	DATE 2013/03/15			
SIZE A3			THIS DRAWING CONTAINS INFORMATION THAT IS PROPRIETARY TO MOLEX INCORPORATED AND SHOULD NOT BE USED WITHOUT WRITTEN PERMISSION					



52610-**-72
MODEL NO.

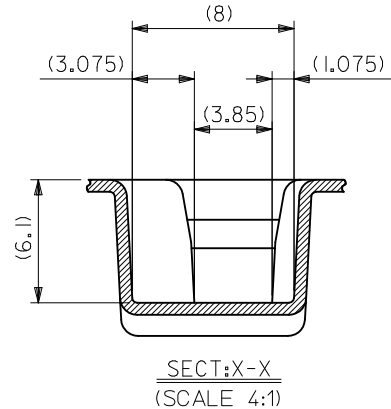
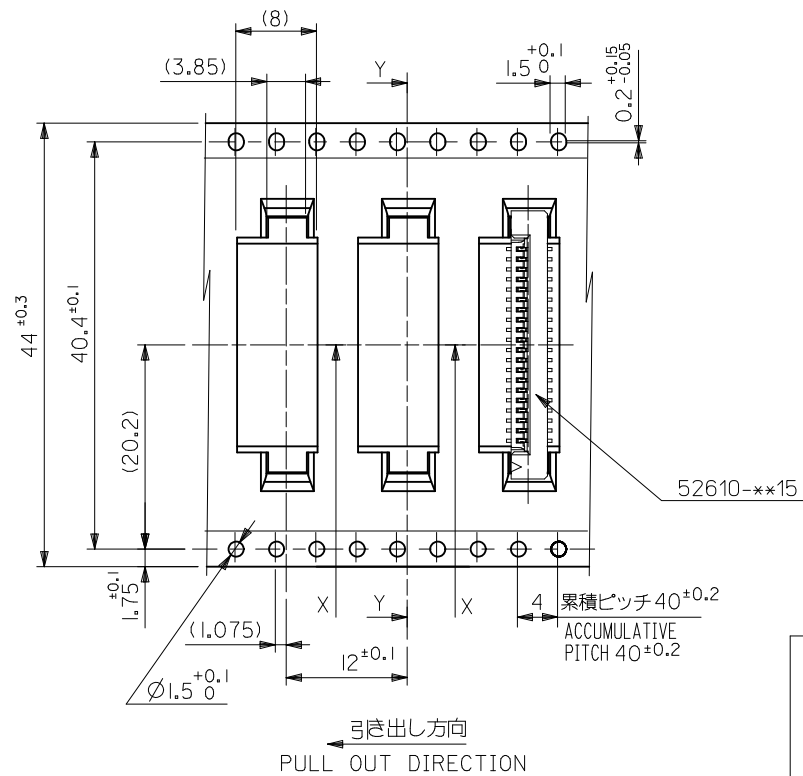
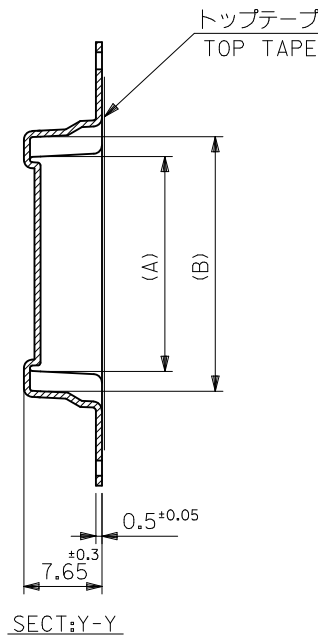
24	29.4	25.4	15.25	11.32	52610-1072	10
			14.25	10.32	52610-0972	9
			13.25	9.32	52610-0872	8
			11.25	7.32	52610-0672	6
			10.25	6.32	52610-0572	5
			(B)	(A)	MATERIAL. NO.	極数 CKT.

REVISED EC NO.: J2012-0856 DRWN:KMIYAHARA 2012/01/05 CH'KD:KTAHASHI 2012/01/05 APPR:KMORIKAWA 2012/02/07	DESCRIPTION REV	GENERAL TOLERANCES (UNLESS SPECIFIED)		DIMENSION STYLE MM ONLY		SCALE ---	DESIGN UNITS METRIC	THIRD ANGLE PROJECTION		
		10 UNDER	±0.2	DRAWN BY M. NABEI	DATE '05/07/21	TITLE 1.0 FPC CONN SMT ZIF EMBSTP PKG -LEAD FREE-				
		10 OVER 30 UNDER	±0.25	CHECKED BY K. TOYODA	DATE '05/07/21	MOLEX INCORPORATED				
		30 OVER	±0.3	APPROVED BY N. UKITA	DATE '05/07/21	MATERIAL NO. SEE TABLE		DOCUMENT NO. SD-52610-037		SHEET NO. 2 OF 5
		ANGULAR ±3 °		SIZE A3		THIS DRAWING CONTAINS INFORMATION THAT IS PROPRIETARY TO MOLEX INCORPORATED AND SHOULD NOT BE USED WITHOUT WRITTEN PERMISSION				
		DRAFT WHERE APPLICABLE MUST REMAIN WITHIN DIMENSIONS								



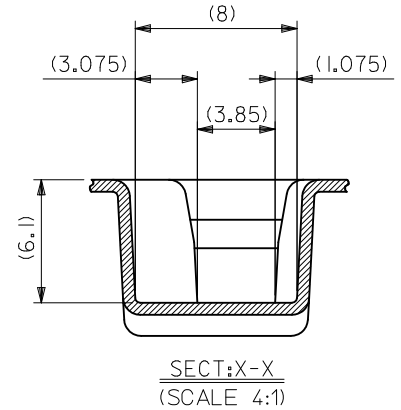
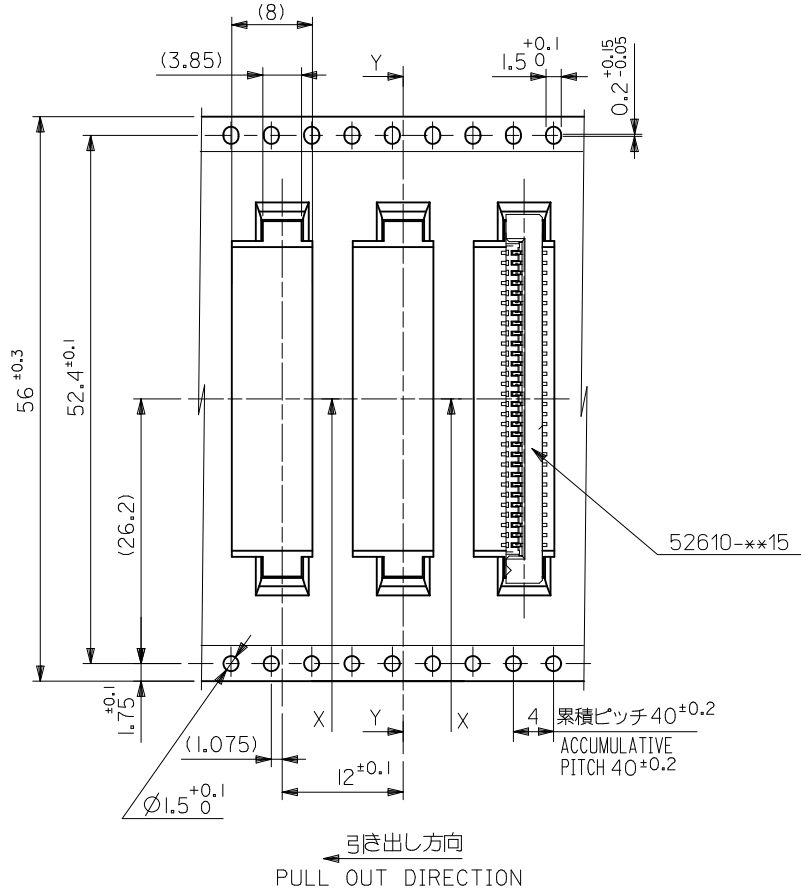
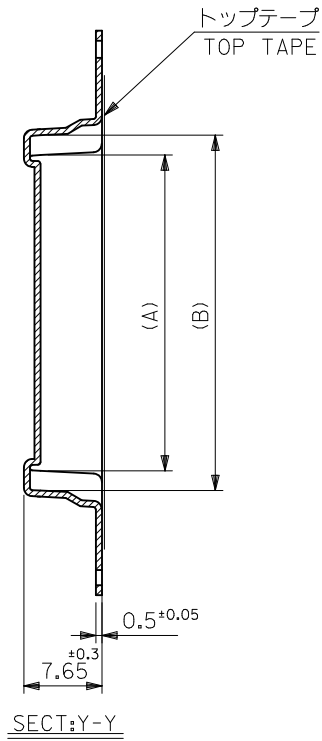
56	26.2	52.4	57.5	35.25	31.32	52610-3033	30
				33.25	29.32	52610-2833	28
44	20.2	40.4	46.5	31.25	27.32	52610-2633	26
				30.25	26.32	52610-2533	25
				29.25	25.32	52610-2433	24
				28.25	24.32	52610-2333	23
				27.25	23.32	52610-2233	22
				26.25	22.32	52610-2133	21
				25.25	21.32	52610-2033	20
				24.25	20.32	52610-1933	19
				23.25	19.32	52610-1833	18
				22.25	18.32	52610-1733	17
32	14.2	28.4	33.5	21.25	17.32	52610-1633	16
				20.25	16.32	52610-1533	15
				19.25	15.32	52610-1433	14
				18.25	14.32	52610-1333	13
F	(E)	D	C	17.25	13.32	52610-1233	12
				16.25	12.32	52610-1133	11
				(B)	(A)	ENG. NO.	極数 CKT.

SEE SHEET 1 OF 3 EC NO: J2014-0352 DRWN:NASANUMA 2013/08/26 CHKD:KTAKAHASHI 2013/08/27 APPR:YNOGAWA 2013/08/30	GENERAL TOLERANCES (UNLESS SPECIFIED)		DIMENSION STYLE MM ONLY		SCALE ---	DESIGN UNITS METRIC		THIRD ANGLE PROJECTION	
	10 UNDER	±---	DRAWN BY NASANUMA	DATE 2012/09/05	TITLE EMBOSSSED TAPE PACKAGED FOR 1.0 FPC CONN ZIF S/T HOUSING ASSY molex				
	10 OVER 30 UNDER	±---	CHECKED BY KTAKAHASHI	DATE 2012/09/05					
	30 OVER	±---	APPROVED BY KMORIKAWA	DATE 2013/03/15					
	ANGULAR	±--- °	MATERIAL NO.		DOCUMENT NO.		SHEET NO.		
DRAFT WHERE APPLICABLE MUST REMAIN WITHIN DIMENSIONS		SEE CHART		SD-52610-049		3 OF 3			
A	REV	THIS DRAWING CONTAINS INFORMATION THAT IS PROPRIETARY TO MOLEX INCORPORATED AND SHOULD NOT BE USED WITHOUT WRITTEN PERMISSION							



44	49.4	45.4	31.25	27.32	52610-2672	26
			30.25	26.32	52610-2572	25
			29.25	25.32	52610-2472	24
			27.25	23.32	52610-2272	22
			25.25	21.32	52610-2072	20
			24.25	20.32	52610-1972	19
			23.25	19.32	52610-1872	18
			22.25	18.32	52610-1772	17
			21.25	17.32	52610-1672	16
			(B)	(A)	MATERIAL. NO.	極数 CKT.

REVISED EC NO: J2012-0856 DRW:KMIYAHARA 2012/01/05 CHKD: APPR:KMORIKAWA 2012/02/07	DIMENSION STYLE MM ONLY	SCALE ---	DESIGN UNITS METRIC	THIRD ANGLE PROJECTION	GENERAL TOLERANCES (UNLESS SPECIFIED)	
					10 UNDER	±0.2
					10 OVER 30 UNDER	±0.25
					30 OVER	±0.3
					ANGULAR	±3 °
DRAFT WHERE APPLICABLE MUST REMAIN WITHIN DIMENSIONS		DIMENSION STYLE SEE TABLE	TITLE 1.0 FPC CONN SMT ZIF EMBOSTP PKG -LEAD FREE-	MATERIAL NO. SD-52610-037	SHEET NO. 4 OF 5	
DRAWN BY M. NABEI		DATE '05/07/21	MOLEX INCORPORATED			
CHECKED BY K. TOYODA		DATE '05/07/21				
APPROVED BY N. UKITA		DATE '05/07/21				
THIS DRAWING CONTAINS INFORMATION THAT IS PROPRIETARY TO MOLEX INCORPORATED AND SHOULD NOT BE USED WITHOUT WRITTEN PERMISSION						



52610-**72	56	61.4	57.4	35.25	31.32	52610-3072	30
MODEL NO.	キャリアテープ幅 CARRIER TAPE WIDTH	D	C	(B)	(A)	MATERIAL. NO.	極数 CKT.

REVISED EC NO: J2012-0856 DRWN:KMIYAHARA 2012/01/05 CHK'D:KAKAHASHI 2012/01/05 APPR:KMORIKAWA 2012/02/07	GENERAL TOLERANCES (UNLESS SPECIFIED)		DIMENSION STYLE MM ONLY		SCALE ---	DESIGN UNITS METRIC	THIRD ANGLE PROJECTION
	10 UNDER	±0.2	DRAWN BY M. NABEI	DATE '05/07/21	TITLE 1.0 FPC CONN SMT ZIF EMBSTP PKG -LEAD FREE-		
	10 OVER 30 UNDER	±0.25	CHECKED BY K. TOYODA	DATE '05/07/21	MOLEX INCORPORATED DOCUMENT NO. SD-52610-037 SHEET NO. 5 OF 5		
	30 OVER	±0.3	APPROVED BY N. UKITA	DATE '05/07/21			
ANGULAR ±3 °	DRAFT WHERE APPLICABLE MUST REMAIN WITHIN DIMENSIONS		MATERIAL NO. SEE TABLE		THIS DRAWING CONTAINS INFORMATION THAT IS PROPRIETARY TO MOLEX INCORPORATED AND SHOULD NOT BE USED WITHOUT WRITTEN PERMISSION		