

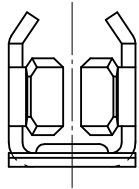
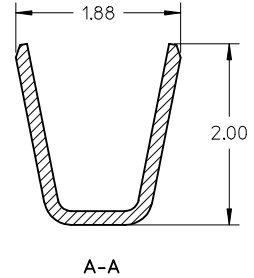
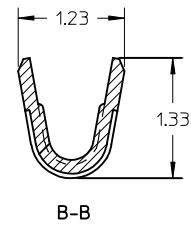
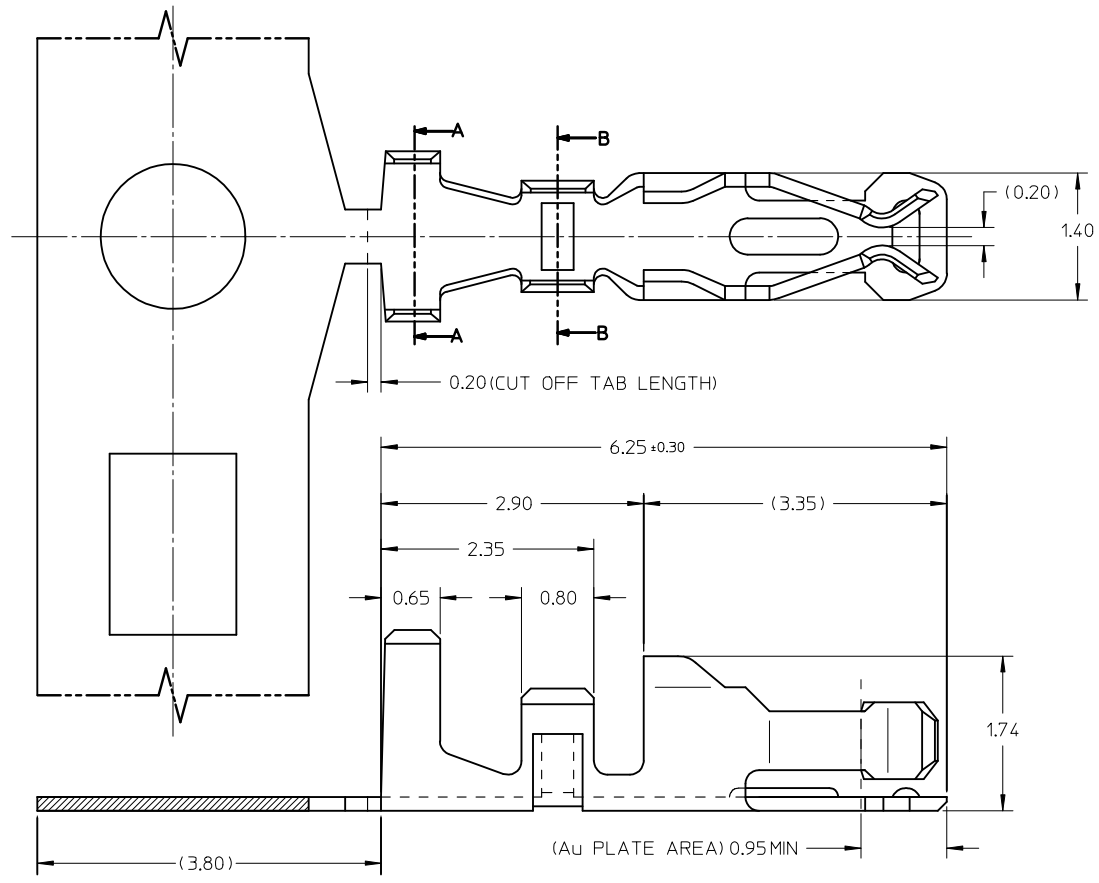
NOTES.

- 1. APPLICABLE HOUSING : 51110-***1
 : 51110-***5

GOLD FLASH 0.05-0.125 μM	50394-8400	50394-8054
0.38 Pd/Ni w/ GOLD FLASH	50394-8300	50394-8053
0.76	50394-8200	50394-8052
0.38	50394-8100	50394-8051
Au. PLATE THICK. (μm MIN.)	FORM:LOOSE	FORM:CHAIN
ENG.No.		

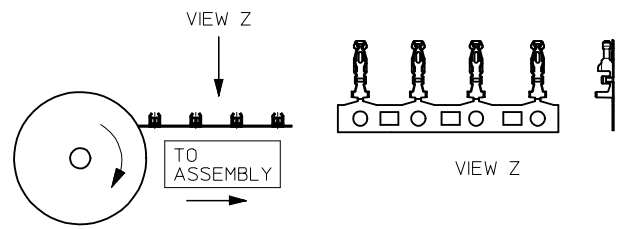
B	VOID PART NO. PER ECN S2004-0719	---	ANG LING	040223	MATERIAL : PHOSPHOR BRONZE (THK=0.152)	MOLEX SINGAPORE PTE LTD SHEET 1 OF 1
A2	ADD GOLD FLASH AS PER ECN*S2003-0030	---	NASH LING	02/07/12		
A1	ADD 0.38 Pd/Ni WITH GOLD FLASH AS PER PDR*98-01- 0267 (ECN*S1998-0364)	---	SEE LING	980312	FINISH : SEE NOTES	GENERAL TOLERANCES ± 0.20/0.008
A	REL AS PER ECN*	S40519	SO EDP	940420		DRAWN BY S.O. 940420
LTR	REVISION RECORD	ECN	DR CHK	DATE	APPR'D BY ROY 940428	SCALE 15:1
REVISE ONLY ON CAD SYSTEM					TITLE : 2.0mm GRID W TO B CONN. CRIMP TERMINAL	

ENG. NO.		Au. PLATE THICKNESS (µm MIN.)
FORM: LOOSE	FORM: CHAIN	
50394-8100	50394-8051	0.38
50394-8200	50394-8052	0.76
50394-8400	50394-8054	GOLD FLASH 0.05-0.125µm



NOTES :
1. APPLICABLE HOUSING : 51110-***1
: 51110-**5*

WINDING DIRECTION



ADD WINDING DIRECTION	2013/09/30	QUALITY SYMBOLS
EC NO: S2014-0327	2013/09/30	▽ F = 0
DRW: NAI SEE	2013/09/30	▽ F = 0
CHK: DFANNY WONG	2013/11/13	▽ F = 0
APPR: LBLEE		
REV		
B1		

GENERAL TOLERANCES (UNLESS SPECIFIED)	
	mm INCH
4 PLACES	± --- ± ---
3 PLACES	± --- ± ---
2 PLACES	± 0.20 ± ---
1 PLACE	± --- ± ---
0 PLACE	± --- ± ---
ANGULAR ± 3 °	
DRAFT WHERE APPLICABLE MUST REMAIN WITHIN DIMENSIONS	

DIMENSION STYLE	
MM ONLY	
DRAWN BY	DATE
S.Q	1994/04/20
CHECKED BY	DATE
EDPOH	1994/04/27
APPROVED BY	DATE
BBYEE	2013/04/28
MATERIAL NO.	DOCUMENT NO.
SEE TABLE	SD-50394-8XXX

THIRD ANGLE PROJECTION

SALES DRAWING
2.0MM GRID W TO B CONN.
CRIMP TERMINAL

molex

SHEET NO. 1 OF 1

THIS DRAWING CONTAINS INFORMATION THAT IS PROPRIETARY TO MOLEX INCORPORATED AND SHOULD NOT BE USED WITHOUT WRITTEN PERMISSION