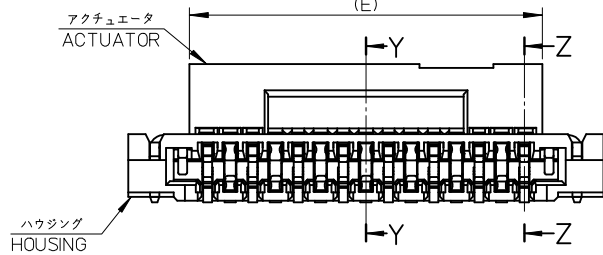
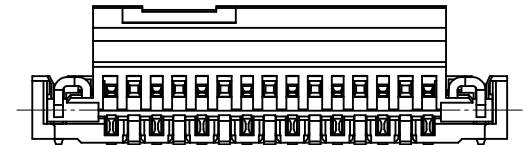
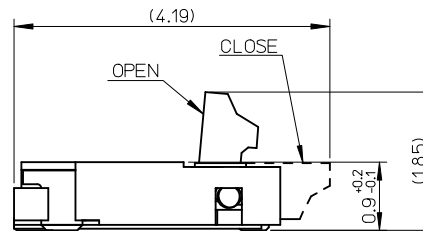
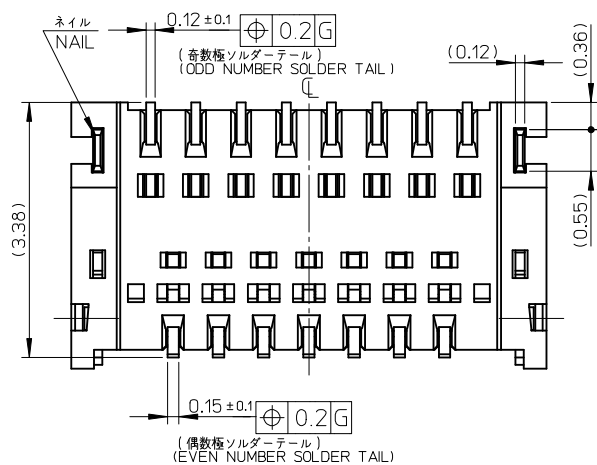


SECT. Z-Z

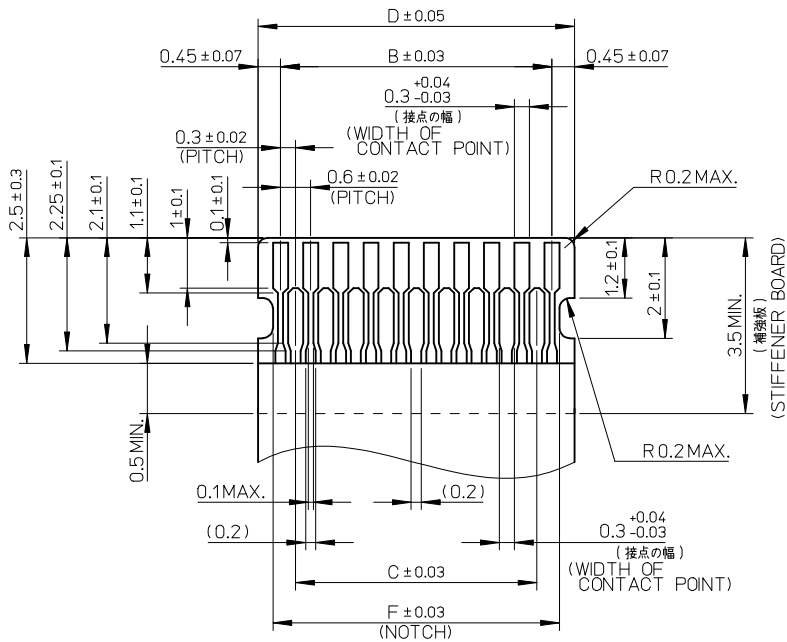
SECT. Y-Y



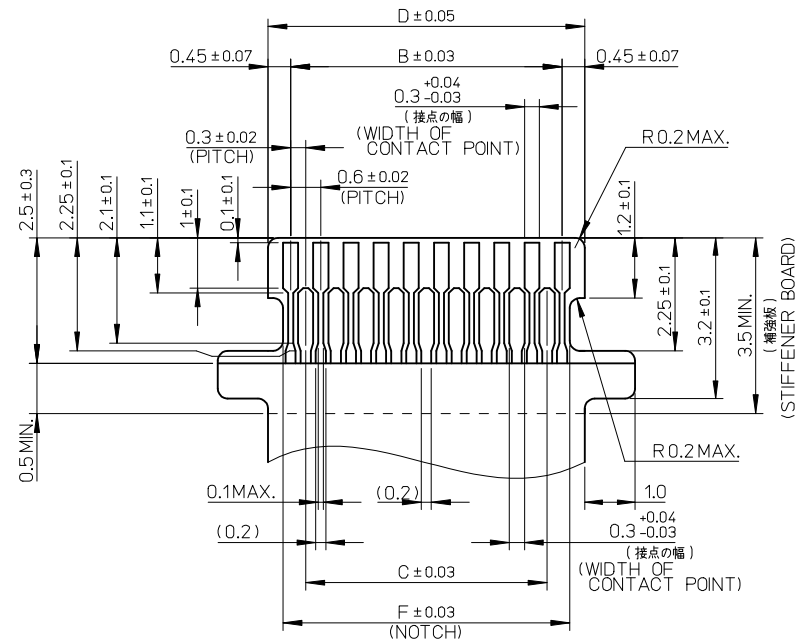
|      |       |      |      |      |      |                             |              |          |
|------|-------|------|------|------|------|-----------------------------|--------------|----------|
| 15.3 | 15.48 | 15.9 | 14.4 | 15.0 | 17.1 | 502250-5191                 | 502250-5120  | 51       |
| 12.3 | 12.48 | 12.9 | 11.4 | 12.0 | 14.1 | 502250-4191                 | 502250-4120  | 41       |
| 11.7 | 11.88 | 12.3 | 10.8 | 11.4 | 13.5 | 502250-3991                 | 502250-3920  | 39       |
| 10.5 | 10.68 | 11.1 | 9.6  | 10.2 | 12.3 | 502250-3591                 | 502250-3520  | 35       |
| 9.9  | 10.08 | 10.5 | 9.0  | 9.6  | 11.7 | 502250-3391                 | 502250-3320  | 33       |
| 8.1  | 8.28  | 8.7  | 7.2  | 7.8  | 9.9  | 502250-2791                 | 502250-2720  | 27       |
| 6.9  | 7.08  | 7.5  | 6.0  | 6.6  | 8.7  | 502250-2391                 | 502250-2320  | 23       |
| 6.3  | 6.48  | 6.9  | 5.4  | 6.0  | 8.1  | 502250-2191                 | 502250-2120  | 21       |
| 5.1  | 5.28  | 5.7  | 4.2  | 4.8  | 6.9  | 502250-1791                 | 502250-1720  | 17       |
| F    | E     | D    | C    | B    | A    | EMBOSSED TAPE PKG ORDER NO. | MATERIAL No. | CIRCUITS |



|   |   |  |   |  |
|---|---|--|---|--|
| <b>REVISED</b><br>EC NO: J2009-1500<br>DR: NINTAKASAKI 2008/12/09<br>CHKD: MHAYASHI 2008/12/11<br>APPR: NUKITA 2008/12/11 | GENERAL TOLERANCES (UNLESS SPECIFIED)<br>10 UNDER ±0.2<br>10 OVER 30 UNDER ±0.25<br>30 OVER ±0.3<br>ANGULAR ±3°<br>DRAFT WHERE APPLICABLE MUST REMAIN WITHIN DIMENSIONS | DIMENSION STYLE<br><b>MM ONLY</b><br>DRAWN BY T. HIRAYAMA DATE 2008/01/31<br>CHECKED BY K. MORIKAWA DATE 2008/01/31<br>APPROVED BY H. HIRATA DATE 2008/01/31<br>MATERIAL NO. SEE TABLE | SCALE 15:1<br>DESIGN UNITS METRIC<br>THIRD ANGLE PROJECTION | MODEL No. 502250-**20<br><b>0.3 FPC CONN E/O B/F HSG ASSY HGT=0.9MM</b><br><b>MOLEX INCORPORATED</b><br>DOCUMENT NO. SD-502250-003<br>SHEET NO. 1 OF 3 |
|   | THIS DRAWING CONTAINS INFORMATION THAT IS PROPRIETARY TO MOLEX INCORPORATED AND SHOULD NOT BE USED WITHOUT WRITTEN PERMISSION   |  |   |  |
|   | EN-02DA(021)  |  |   |  |
|   | REV D   |  |   |  |



標準 FPC  
STANDARD



挿入位置確認用耳つきFPC  
WITH EARS FOR FPC INSERTION ALIGNMENT

嵌合FPC推奨寸法  
APPLICABLE FPC  
RECOMMENDED DIMENSION  
(仕上がり厚さ : 0.2±0.03)  
(THICKNESS : 0.2±0.03)

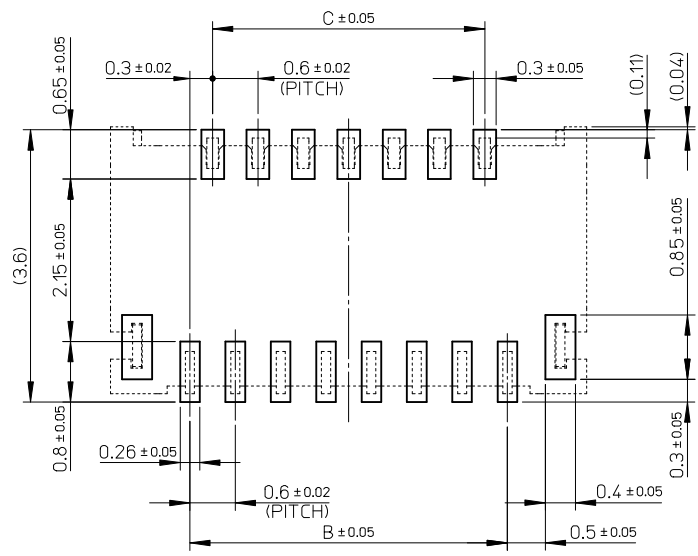
FPCについて:

抜き方向は、導体側から補強板側を推奨致します。  
補強フィルム材質は、ポリイミドを推奨致します。  
接着剤は熱硬化接着剤を推奨します。  
尚、接着剤の接点部への付着は導通不良の原因になりますので、  
染み出しが無い様、お願い致します。

ABOUT FPC:

RECOMMENDED PUNCHER DIRECTION:  
FROM CONDUCTOR SIDE TO STIFFENER FILM SIDE.  
RECOMMENDED MATERIAL:  
STIFFENER FILM : POLYIMIDE  
BONDING AGENT : THERMOSETTING AGENT  
PLEASE PUT APPROPRIATE AMOUNT OF ADHESIVE ON ADHEREND  
BECAUSE THERE IS A POSSIBILITY THAT THE EXTRA ADHESIVE  
CAUSES THE DEFECT IN ELECTRICAL CONTINUITY.

|   |                    |                                       |       |  |                    |   |                        |                        |  |
|---|--------------------|---------------------------------------|-------|--|--------------------|---|------------------------|------------------------|--|
| SEE SHEET 1<br>EC NO: J2009-1500<br>DRAWN: DRWIN/TAKASAKI 2008/12/09<br>CHECKED: CHIKD/MHAYASHI 2008/12/11<br>APPR: NUKITA 2008/12/11 | DESCRIPTION<br>REV | GENERAL TOLERANCES (UNLESS SPECIFIED) |       | DIMENSION STYLE<br>MM ONLY   |                    | SCALE<br>10:1                                       | DESIGN UNITS<br>METRIC | THIRD ANGLE PROJECTION |  |
|   |                    | 10 UNDER                              | ±0.2  | DRAWN BY<br>T. HIRAYAMA  | DATE<br>2008/01/31 | TITLE<br>0.3 FPC CONN E/O B/F<br>HSG ASSY HGT=0.9MM |                        |                        |  |
|   |                    | 10 OVER 30 UNDER                      | ±0.25 | CHECKED BY<br>K. MORIKAWA  | DATE<br>2008/01/31 | MOLEX INCORPORATED<br>DOCUMENT NO.<br>SD-502250-003 |                        |                        |  |
|   |                    | 30 OVER                               | ±0.3  | APPROVED BY<br>H. HIRATA   | DATE<br>2008/01/31 |   |                        |                        |  |
| ANGULAR ±3°<br>DRAFT WHERE APPLICABLE<br>MUST REMAIN<br>WITHIN DIMENSIONS   |                    | SEE SHEET 1                           |       | THIS DRAWING CONTAINS INFORMATION THAT IS PROPRIETARY TO MOLEX<br>INCORPORATED AND SHOULD NOT BE USED WITHOUT WRITTEN PERMISSION |                    |   |                        |                        |  |



推奨基板レイアウト図 (マウント面)  
P.C BOARD PATTERN  
RECOMMENDED DIMENSION  
(MOUNTING AREA)

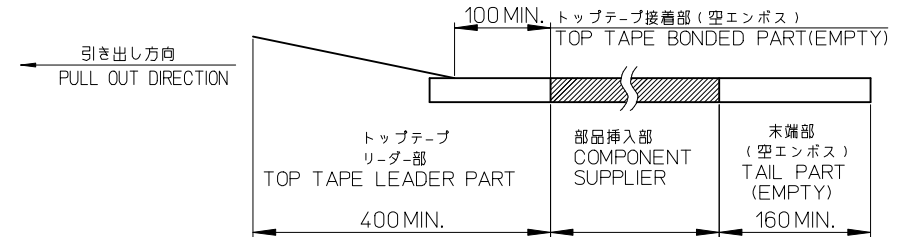
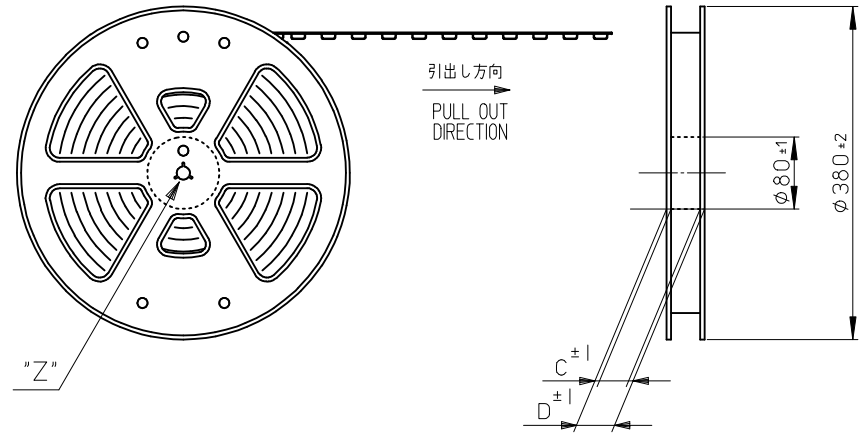
注記 NOTES

1. 使用材料 MATERIAL  
ハウジング : 液晶ポリマー ガラス充填 UL94V-0 (ナチュラル)  
HOUSING : LIQUID CRYSTAL POLYMER (GLASS FILLED)  
UL94V-0(COLOR:NATURAL)  
アクチュエータ : ポリフェニレンサルファイド ガラス充填 UL94V-0 (黒)  
ACTUATOR : POLYPHENYLENE SULFIDE (GLASS FILLED)  
UL94V-0(COLOR:BLACK)  
ターミナル : 銅ニッケルスズ合金、ニッケル下地部分金メッキ (接触部及びテール部)  
TERMINAL : COPPER NICKEL TIN ALLOY,  
PARTLY GOLD(CONTACT,TAIL) OVER NICKEL PLATING  
ネイル : リン青銅、ニッケル下地鍍めつき  
FITTING NAIL : PHOSPHOR-BRONZE, TIN OVER NICKEL PLATING
2. ソルダータール半田付け面、及びネイル半田付け面の平坦度 : 0.1mmMAX.  
COPLANARITY OF SOLDER TAILS AND FITTING NAILS  
TO BE 0.1mm MAX.
3. 基板実装前にアクチュエータを操作しないで下さい。  
PLEASE DO NOT OPERATE THE ACTUATOR BEFORE MOUNTING.  
必ず基板に実装し、FPCを挿入してからアクチュエータを操作して下さい。  
PLEASE OPERATE THE ACTUATOR AFTER MOUNTING ON  
THE SUBSTRATE,AND MATING FPC.
4. 推奨メタルマスク RECOMMENDED METAL MASK SPECIFICATION  
マスク厚 : 0.1mm MASK THICKNESS : 0.1mm  
なお、貴社にて上記以外でご使用頂く場合は、事前に確認頂きますようお願い致します。  
WHEN USE IT OTHER THAN THE ABOVE IN YOUR COMPANY,  
PLEASE CONFIRM IT BEFOREHAND.
5. ELV 及び RoHS適合品  
ELV AND RoHS COMPLIANT.

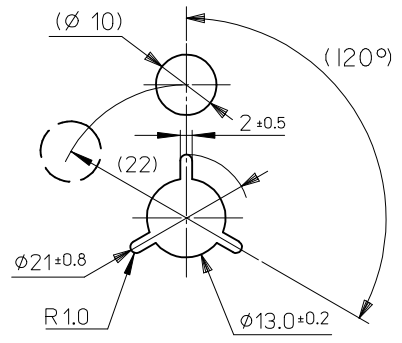
|  |                                       |  |                            |                               |   |                        |                        |
|--|---------------------------------------|--|----------------------------|-------------------------------|---|------------------------|------------------------|
| SEE SHEET 1<br>EC NO.: J2009-1500<br>DRWN:MTAKASAKI 2008/12/09<br>CHKD:MHAYASHI 2008/12/11<br>APPR:NUKITA 2008/12/11 | GENERAL TOLERANCES (UNLESS SPECIFIED) |  | DIMENSION STYLE<br>MM ONLY |                               | SCALE<br>10:1                                       | DESIGN UNITS<br>METRIC | THIRD ANGLE PROJECTION |
|  | 10 UNDER                              | ± 0.2  | DRAWN BY<br>T. HIRAYAMA    | DATE<br>2008/01/31            | TITLE<br>0.3 FPC CONN E/O B/F<br>HSG ASSY HGT=0.9MM |                        |                        |
|  | 10 OVER 30 UNDER                      | ± 0.25   | CHECKED BY<br>K. MORIKAWA  | DATE<br>2008/01/31            | MOLEX INCORPORATED                                  |                        |                        |
|  | 30 OVER                               | ± 0.3  | APPROVED BY<br>H. HIRATA   | DATE<br>2008/01/31            |   |                        |                        |
| ANGULAR ± 3 °  |                                       | MATERIAL NO.<br>SEE SHEET 1  |                            | DOCUMENT NO.<br>SD-502250-003 |   | SHEET NO.<br>3 OF 3    |                        |
| DRAFT WHERE APPLICABLE<br>MUST REMAIN<br>WITHIN DIMENSIONS   |                                       | THIS DRAWING CONTAINS INFORMATION THAT IS PROPRIETARY TO MOLEX<br>INCORPORATED AND SHOULD NOT BE USED WITHOUT WRITTEN PERMISSION |                            |                               |   |                        |                        |

**NOTES**

- 製品 (502250-\*\*20) の詳細寸法については、  
図面SD-502250-003をご参照ください  
IN THE PACKAGE, PART NO. 502250-\*\*20 DETAILED DIMENSIONS,  
REFER TO SALES DRAWING NO. SD-502250-003.
- 梱包数量: 3000 個/リール  
NUMBER OF CONNECTORS:3000 PCS/REEL
- リードテープ長さ  
LEAD TAPE LENGTH



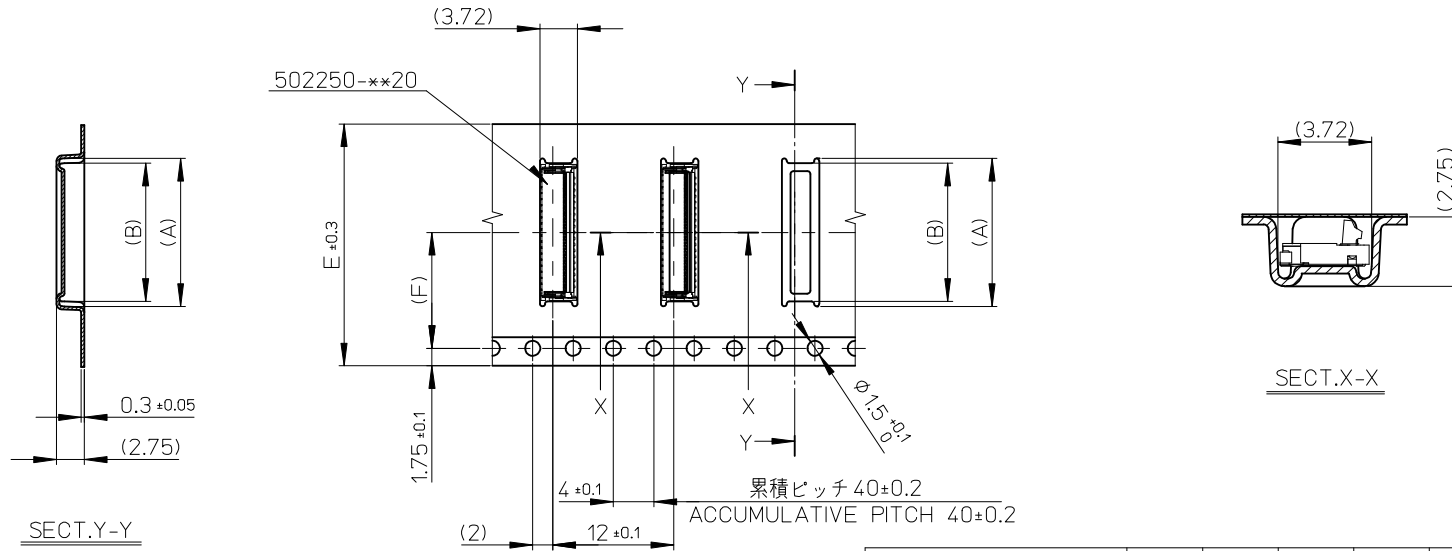
- 材料(MATERIAL)  
キャリアテープ(CARRIER TAPE): ポリスチレン(POLYSTYRENE)  
トップテープ(TOP TAPE): PET, OTHER  
リール(REEL): ポリスチレン(POLYSTYRENE)<リサイクル材を含む>  
<RECYCLE MATERIAL CONTAINED>
- ELV 及び RoHS適合品  
ELV AND RoHS COMPLIANT.



DETAIL "Z"

|   |                                       |  |  |               |                                       |  |           |
|---|---------------------------------------|--|--|---------------|---------------------------------------|--|-----------|
| REVISED<br>EC NO: J2009-1500<br>DRWN:MTAKASAKI 2008/12/09<br>CHKD:MHAYASHI 2008/12/11<br>APPR:NUKITA 2008/12/11 | GENERAL TOLERANCES (UNLESS SPECIFIED) |  | DIMENSION STYLE<br>MM ONLY             |               | SCALE<br>---                          | 502250-**91                                  | MODEL NO. |
|   | 10 UNDER ±0.2                         |  | DRAWN BY T. HIRAYAMA DATE 2008/01/31   |               | TITLE                                 | 0.3 FPC CONN E/O B/F<br>HGT=0.9MM EMBSTP PKG |           |
|   | 10 OVER 30 UNDER ±0.25                |  | CHECKED BY K. MORIKAWA DATE 2008/01/31 |               | APPROVED BY H. HIRATA DATE 2008/01/31 | MOLEX INCORPORATED                           |           |
|   | 30 OVER ±0.3                          |  | MATERIAL NO.                           |               | DOCUMENT NO.                          |  | SHEET NO. |
| ANGULAR ±3 °  |                                       | SEE CHART  |  | SD-502250-004 |                                       | 1 OF 3                                       |           |
| DRAFT WHERE APPLICABLE<br>MUST REMAIN<br>WITHIN DIMENSIONS  |                                       | THIS DRAWING CONTAINS INFORMATION THAT IS PROPRIETARY TO MOLEX<br>INCORPORATED AND SHOULD NOT BE USED WITHOUT WRITTEN PERMISSION |  |               |                                       |  |           |

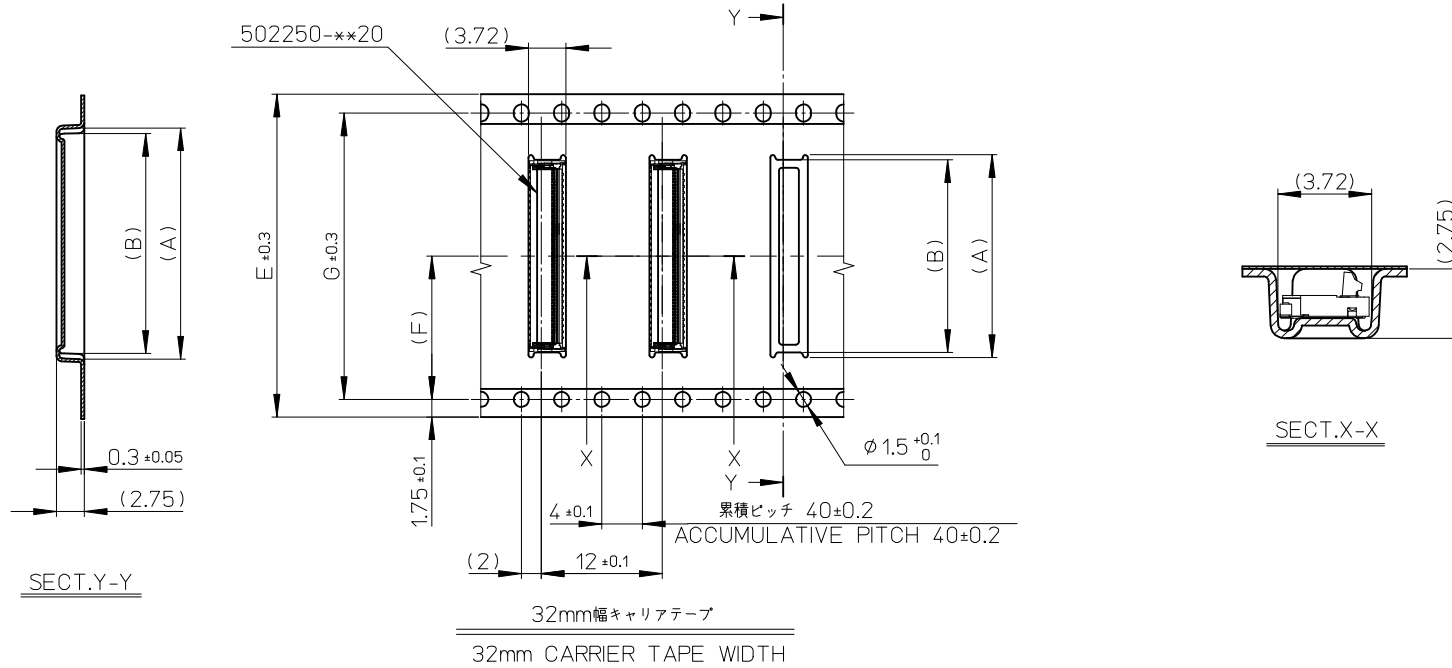
引き出し方向  
PULL OUT DIRECTION



|                                |      |    |      |      |      |      |             |    |     |     |                      |               |
|--------------------------------|------|----|------|------|------|------|-------------|----|-----|-----|----------------------|---------------|
| 24                             | 11.5 | 24 | 29.4 | 25.4 | 14.3 | 15.3 | 502250-4191 | 41 |     |     |                      |               |
|                                |      |    |      |      | 13.7 | 14.7 | 502250-3991 | 39 |     |     |                      |               |
|                                |      |    |      |      | 12.5 | 13.5 | 502250-3591 | 35 |     |     |                      |               |
|                                |      |    |      |      | 11.9 | 12.9 | 502250-3391 | 33 |     |     |                      |               |
|                                |      |    |      |      | 10.1 | 11.1 | 502250-2791 | 27 |     |     |                      |               |
|                                |      |    |      |      | 8.9  | 9.9  | 502250-2391 | 23 |     |     |                      |               |
|                                |      |    |      |      | 8.3  | 9.3  | 502250-2191 | 21 |     |     |                      |               |
| 16                             | 7.5  | 16 | 21.4 | 17.4 | 7.1  | 8.1  | 502250-1791 | 17 |     |     |                      |               |
| キャリアテープ幅<br>CARRIER TAPE WIDTH |      |    |      |      | (F)  | E    | D           | C  | (B) | (A) | 製品番号<br>MATERIAL NO. | 極数<br>CIRCUIT |

|   |                                       |                  |                            |   |  |                       |           |
|---|---------------------------------------|------------------|----------------------------|---|--|-----------------------|-----------|
| SEE SHEET 1<br>EC NO: J2009-1500<br>DRWN:MTAKASAKI 2008/12/09<br>CHKD:MHAYASHI 2008/12/11<br>APPR:NUKITA 2008/12/11 | GENERAL TOLERANCES (UNLESS SPECIFIED) |                  | DIMENSION STYLE<br>MM ONLY |   | SCALE<br>---                                 | MODEL No. 502250-**91 |           |
|   | 10 UNDER                              | ±0.2             | DRAWN BY DATE              |   | TITLE  |                       |           |
|   | 10 OVER 30 UNDER                      | ±0.25            | T. HIRAYAMA 2008/01/31     |   | 0.3 FPC CONN E/O B/F<br>HGT=0.9MM EMBSTP PKG |                       |           |
|   | 30 OVER                               | ±0.3             | CHECKED BY DATE            |   | MOLEX INCORPORATED                           |                       |           |
|   | ANGULAR ±3 °                          |                  | K. MORIKAWA 2008/01/31     |   | DOCUMENT NO.                                 |                       | SHEET NO. |
| DRAFT WHERE APPLICABLE MUST REMAIN WITHIN DIMENSIONS  |                                       | APPROVED BY DATE |                            | H. HIRATA 2008/01/31  |  | SD-502250-004         |           |
|   |                                       | MATERIAL NO.     |                            | THIS DRAWING CONTAINS INFORMATION THAT IS PROPRIETARY TO MOLEX INCORPORATED AND SHOULD NOT BE USED WITHOUT WRITTEN PERMISSION |  |                       |           |

引き出し方向  
PULL OUT DIRECTION



|                                |      |      |    |      |      |      |      |                      |               |
|--------------------------------|------|------|----|------|------|------|------|----------------------|---------------|
| 32                             | 28.4 | 14.2 | 32 | 37.4 | 33.4 | 17.3 | 18.3 | 502250-5191          | 51            |
| キャリアテープ幅<br>CARRIER TAPE WIDTH | G    | (F)  | E  | D    | C    | (B)  | (A)  | 製品番号<br>MATERIAL NO. | 極数<br>CIRCUIT |

|  |                                       |   |                            |           |                    |                        |  |
|--|---------------------------------------|---|----------------------------|-----------|--------------------|------------------------|--|
| SEE SHEET 1<br>EC NO.: J2009-1500<br>DRWN: MTAKASAKI 2008/12/09<br>CHKD: HAYASHI 2008/12/11<br>APPR: NUKITA 2008/12/11 | GENERAL TOLERANCES (UNLESS SPECIFIED) |   | DIMENSION STYLE<br>MM ONLY |           | SCALE<br>---       | MODEL No. 502250-**-91 |  |
|  | 10 UNDER                              | ±0.2  | DRAWN BY<br>T. HIRAYAMA    |           | DATE<br>2008/01/31 |                        | TITLE<br>0.3 FPC CONN E/O B/F<br>HGT=0.9MM EMBSTP PKG                |
|  | 10 OVER 30 UNDER                      | ±0.25   | CHECKED BY<br>K. MORIKAWA  |           | DATE<br>2008/01/31 |                        |  |
|  | 30 OVER                               | ±0.3  | APPROVED BY<br>H. HIRATA   |           | DATE<br>2008/01/31 |                        | MOLEX INCORPORATED<br>DOCUMENT NO. SD-502250-004<br>SHEET NO. 3 OF 3 |
| ANGULAR ±3 °   |                                       | MATERIAL NO.  |                            | SEE TABLE |                    |                        |  |
| DRAFT WHERE APPLICABLE MUST REMAIN WITHIN DIMENSIONS   |                                       | THIS DRAWING CONTAINS INFORMATION THAT IS PROPRIETARY TO MOLEX INCORPORATED AND SHOULD NOT BE USED WITHOUT WRITTEN PERMISSION |                            |           |                    |                        |  |