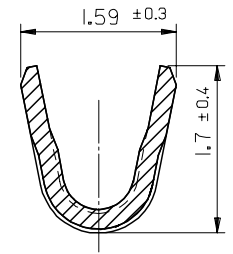
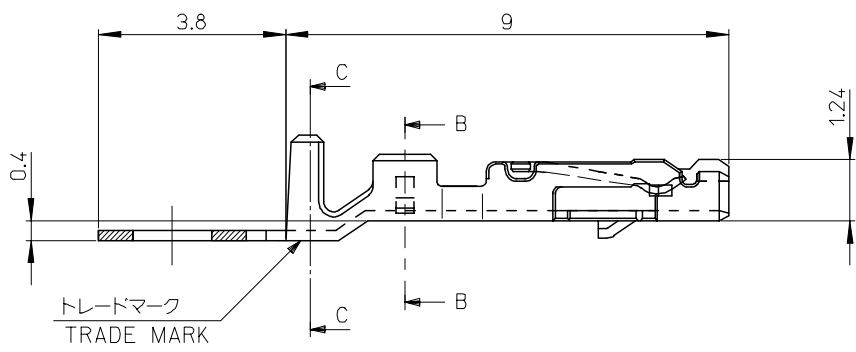
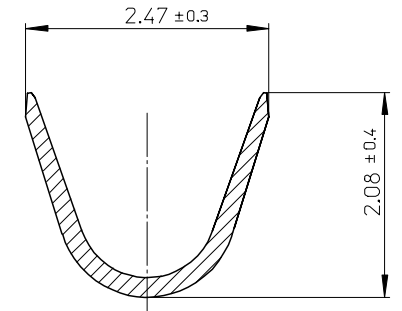


注記
NOTES

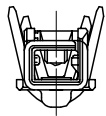
1. 使用材料 : 銅合金, 錫メッキ (t=0.2)
MATERIAL : PRE-TINNED COPPER ALLOY
2. 適合ハウジング : 501646 シリーズ
APPLICABLE HOUSING : 501646 SERIES
3. 電線仕様
CABLE SPEC.
AWG : #22-26
適用電線範囲 : 0.126~0.34mm²
WIRE RANGE
被覆外形 : $\phi 0.95 \sim \phi 1.5\text{mm}$
INS. RANGE



SECTION B-B
(SCALE:20-1)



SECTION C-C
(SCALE:20-1)



501647-1100	パラ状 LOOSE
501647-1000	連続状 CHAIN
MATERIAL NO.	端子形状 FORM

RELEASED EC NO: J2006-0146 DRWN: NITO 2005/07/20 CHKD: ASAKAWA 2005/07/20 APPR: S. ICHIKAWA 2005/07/20	GENERAL TOLERANCES (UNLESS SPECIFIED)		DIMENSION STYLE	SCALE	DESIGN UNITS	THIRD ANGLE PROJECTION		
	10 UNDER ±0.2		MM ONLY	10:1	METRIC	2.0MM W/B DUAL CONN DIP RCPT TERM -LEAD FREE-		
	10 OVER 30 UNDER ±0.25					MOLEX INCORPORATED		
	30 OVER ±0.3							
	ANGULAR ±1 °							
	DRAFT WHERE APPLICABLE MUST REMAIN WITHIN DIMENSIONS							
			MATERIAL NO.	DOCUMENT NO.		SHEET NO.		
			501647-1*00	SD-501647-001		1 OF 1		
			THIS DRAWING CONTAINS INFORMATION THAT IS PROPRIETARY TO MOLEX INCORPORATED AND SHOULD NOT BE USED WITHOUT WRITTEN PERMISSION					