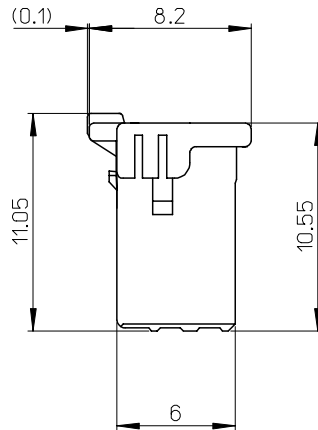
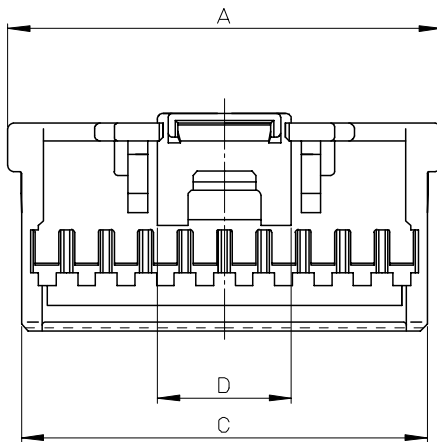
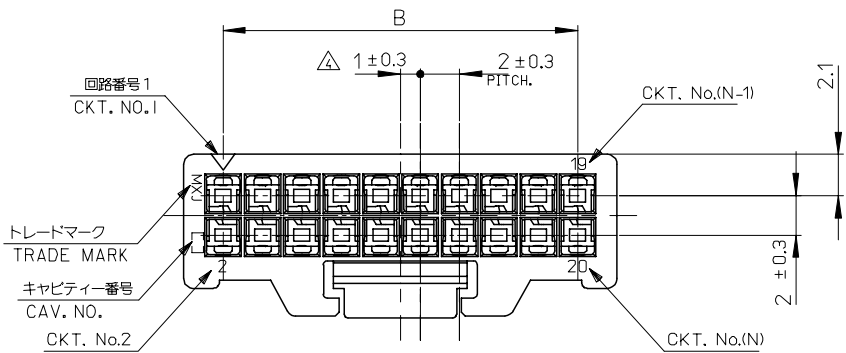


10 9 8 7 6 5 4 3 2 1



注記
NOTES

1. 材料 MATERIAL
ハウジング : 66ナイロン, UL94V-0
HOUSING : 66NYLON, UL94V-0
2. 嵌合相手 :501645 シリーズ
MATE WITH : 501645 SERIES
3. 適合ターミナル : 501647 シリーズ
APPLICABLE TERMINAL : 501647 SERIES

△ (全極数/2) = 偶数の場合に適用。
APPLY FOR (CIRCUIT/2)=EVEN

△ 製品番号
MATERIAL NO.
501646 -**0*
極数 CIRCUIT SIZE 色 COLOR

| | |
|------------------|---|
| ナチュラル NATURAL | 0 |
| 黒 BLACK | 1 |
| 赤 RED | 2 |
| 黄 YELLOW | 3 |
| 青 BLUE | 4 |
| 桃 PINK | 5 |
| 緑 GREEN | 6 |
| 茶 BROWN | 7 |
| 橙 ORANGE | 8 |
| 紫 VIOLET | 9 |

| | | | | | |
|-----|------|----|----|---------------------|----|
| 6.8 | 40.6 | 38 | 42 | 501646 -400* | 40 |
| 6.8 | 38.6 | 36 | 40 | -380* | 38 |
| 6.8 | 36.6 | 34 | 38 | -360* | 36 |
| 6.8 | 34.6 | 32 | 36 | -340* | 34 |
| 6.8 | 32.6 | 30 | 34 | -320* | 32 |
| 6.8 | 30.6 | 28 | 32 | -300* | 30 |
| 6.8 | 28.6 | 26 | 30 | -280* | 28 |
| 6.8 | 26.6 | 24 | 28 | -260* | 26 |
| 6.8 | 24.6 | 22 | 26 | -240* | 24 |
| 6.8 | 22.6 | 20 | 24 | -220* | 22 |
| 6.8 | 20.6 | 18 | 22 | -200* | 20 |
| 6.8 | 18.6 | 16 | 20 | -180* | 18 |
| 6.8 | 16.6 | 14 | 18 | -160* | 16 |
| 6.8 | 14.6 | 12 | 16 | -140* | 14 |
| 6.8 | 12.6 | 10 | 14 | -120* | 12 |
| 5.1 | 10.6 | 8 | 12 | 501646 -100* | 10 |
| D | C | B | A | △ MATERIAL NO. CKT. | |

| | | | | | | | | |
|---|--|------------|--|-------------------------------|--|------------------------|---------------------------|--|
| REVISED EC NO: J2006-1309 DRWN: ITO CHKD: ASAKAWA APPR: S. ICHIKAWA | GENERAL TOLERANCES (UNLESS SPECIFIED) | | DIMENSION STYLE MM ONLY | | SCALE 4:1 | DESIGN UNITS METRIC | THIRD ANGLE PROJECTION | |
| | 10 UNDER | ±0.2 | DRAWN BY N. ITO | DATE '05/07/04 | TITLE 2.0MM W/B DUAL CONN DIP RCPT HSG | | | |
| | 10 OVER 30 UNDER | ±0.25 | CHECKED BY ASAKAWA | DATE '05/07/04 | | | | |
| | 30 OVER | ±0.3 | APPROVED BY ICHIKAWA | DATE '05/07/04 | MOLEX INCORPORATED | | | |
| | ANGULAR | ±3 ° | MATERIAL NO. 501646-**0* | DOCUMENT NO. SD-501646-001 | | | | |
| DRAFT WHERE APPLICABLE MUST REMAIN WITHIN DIMENSIONS | | SIZE A3 | THIS DRAWING CONTAINS INFORMATION THAT IS PROPRIETARY TO MOLEX INCORPORATED AND SHOULD NOT BE USED WITHOUT WRITTEN PERMISSION | | | | | |