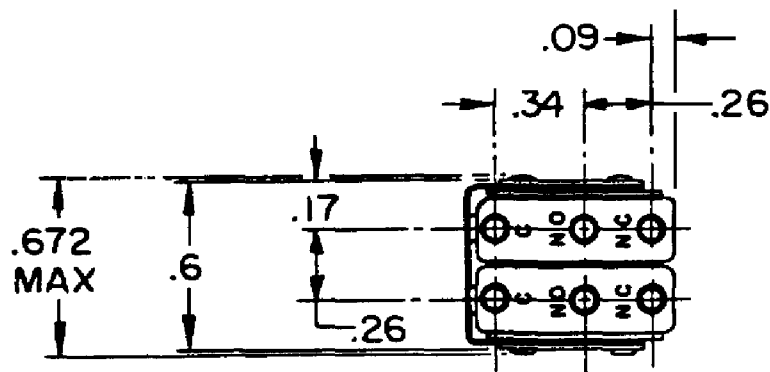
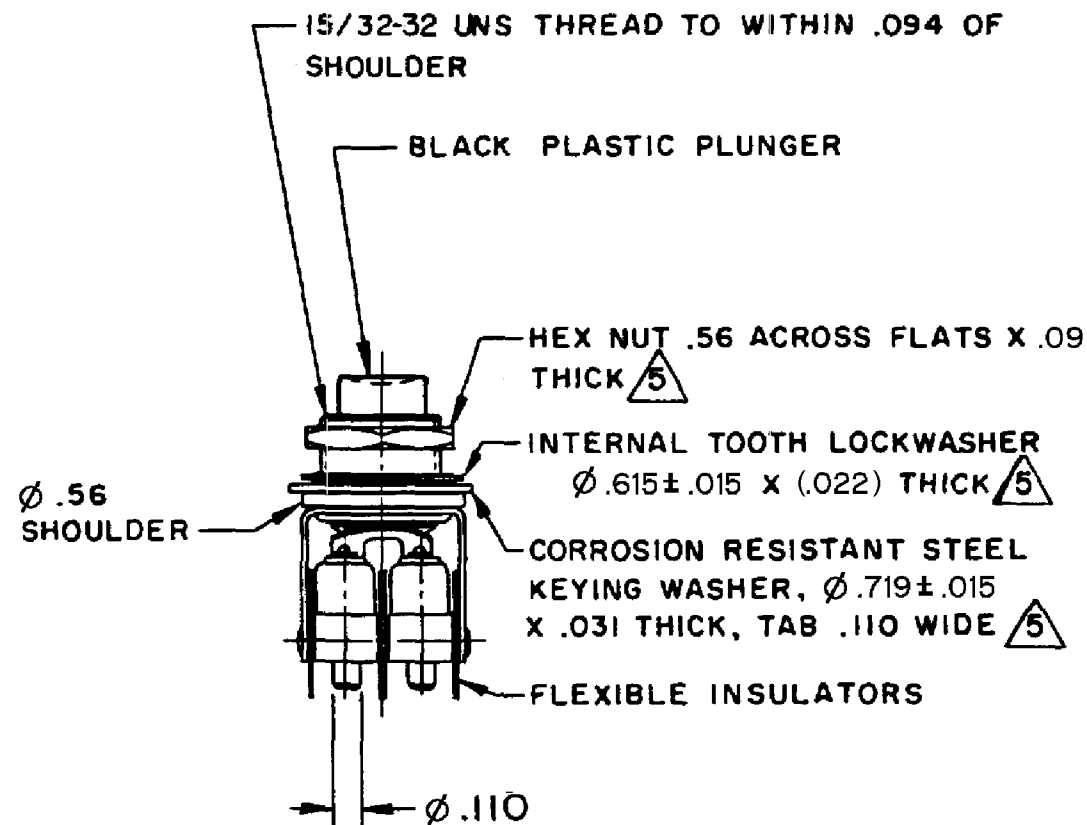
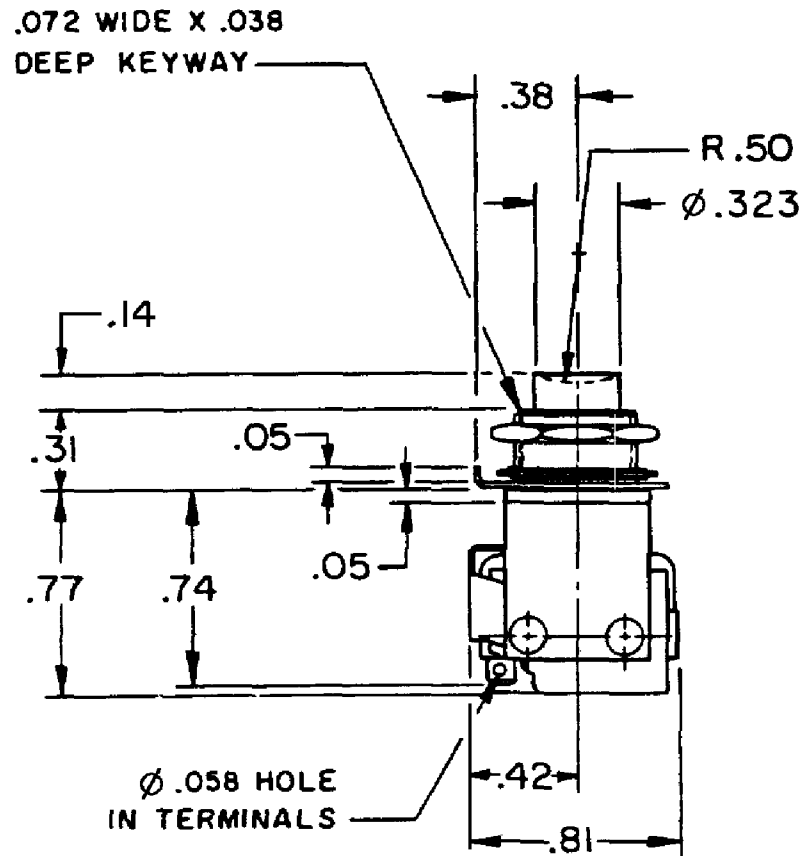


HONEYWELL
PART NUMBER
2PB1000

REV	DOCUMENT	CHANGED BY	CHECK
C	0066505	SSK 18JUN10	CMH

CHARACTERISTICS:
OPERATING FORCE: 1 1/2 LB APPROX

ELECTRICAL DATA:
CONTACT ARRANGEMENT: S P D T (2)
30 VOLTS DC RATING
INDUCTIVE --- SEA LEVEL --- 0.5 AMP
50,000 FT --- 0.5 AMP
RESISTIVE --- SEA LEVEL --- 1.0 AMP
50,000 FT --- 1.0 AMP
MAXIMUM INRUSH ----- 2.0 AMP



NOTES

- 1 - UNIT INCLUDES CAT. LIST. "12SM" TYPE BASIC SWITCH (2)
- 2 - TERMINALS ARE PLATED FOR SOLDERING
- 3 - BASIC SWITCHES OPERATE WITHIN .008 OF EACH OTHER (PUSHBUTTON PLUNGER TRAVEL)
- 4 - UNIT WILL PERFORM SATISFACTORILY IN TEMPERATURES TO MINUS 65°F
- 5 MOUNTING HARDWARE FURNISHED UNASSEMBLED

DESIGN UNITS: INCH			
TOLERANCES UNLESS NOTED:			
NO PLACE	X	±	-
ONE PLACE	.X	±	0.030
TWO PLACE	.XX	±	0.015
THREE PLACE	.XXX	±	0.005
FOUR PLACE	.XXXX	±	-
ANGLES		±	-
THIRD ANGLE PROJECTION			

DRAWN	SPK	20APR05
CHECK	AK	20APR05
THIS DRAWING COVERS A PROPRIETARY ITEM AND IS THE PROPERTY OF HONEYWELL. THIS DRAWING IS NOT TO BE COPIED OR USED WITHOUT THE PERMISSION OF HONEYWELL.		
INTERPRET PER ASME Y14.5M-1994 OTHER HONEYWELL ENGINEERING STANDARDS MAY APPLY		

Honeywell				
TITLE ASSEMBLY, PUSH BUTTON SWITCH				
SIZE	TYPE	CAGE CODE	DRAWING NAME	REV
B	I	91929	2PB1000	C
SCALE NONE			SHEET 1 OF 1	

RAW MATERIAL : COMMERCIAL STANDARD