

**CRYSTAL OSCILLATOR
HIGH-STABILITY**

HG - 2150CA series

- Frequency range : 1 MHz to 60 MHz
- Supply voltage : 3.3 V / 5.0 V
- Frequency tolerance : $\pm 15 \times 10^{-6}$ / -20 °C to +70 °C
- Function : Output enable (OE)
- External dimensions : 7.0 x 5.0 x 1.4 mm



Product Number (please contact us)
Q3514CA00xxx00



Actual size



Specifications (characteristics)

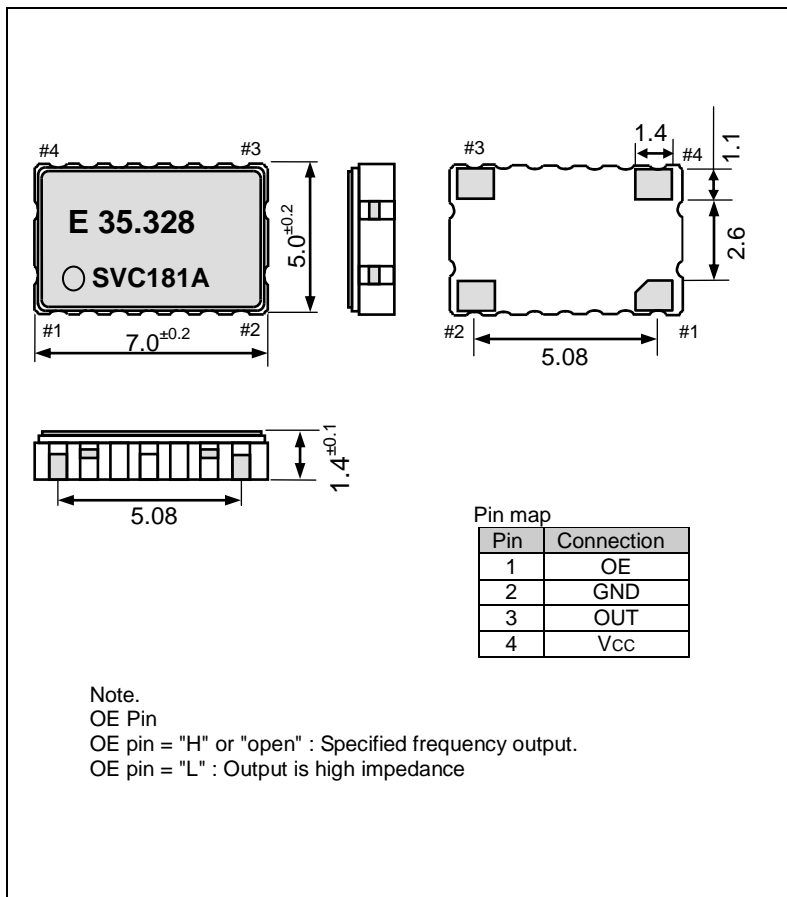
Item	Symbol	Specifications		Conditions / Remarks
		SVH / BXH	SVC / BXC	
Output frequency range	f_0	1.000 MHz to 60.000 MHz		
Supply voltage	Vcc	H:5.0 V ± 0.5 V	C:3.3 V ± 0.3 V	
Storage temperature	T_stg	-40 °C to +125 °C		Store as bare product.
Operating temperature	T_use	V:-20 °C to +70 °C X:-40 °C to +85 °C		
Frequency tolerance	f_tol	S: $\pm 15 \times 10^{-6}$ *1		-20 °C to +70 °C
		B: $\pm 25 \times 10^{-6}$ *1		-40 °C to +85 °C
Current consumption	Icc	30 mA Max.	25 mA Max.	No load condition, OE = Vcc
Disable current	I_dis	15 mA Max.	12 mA Max.	OE=GND
Symmetry	SYM	45 % to 55 %		50 % Vcc level
Output voltage	V _{OH}	Vcc-0.4 V Min.		I _{OH} =-4 mA
	V _{OL}	0.4 V Max.		I _{OL} = 4 mA
Output load condition	L_CMOS	15 pF Max.		CMOS load
Input voltage	V _{IH}	70 % Vcc Min.		OE terminal
	V _{IL}	30 % Vcc Max.		
Rise time / Fall time	t _r / t _f	4 ns Max.		20 % Vcc to 80 % Vcc level
Start-up time	t_str	10 ms Max.		Time at minimum supply voltage to be 0 s.
Frequency aging	f_aging	$\pm 10 \times 10^{-6}$ Max. *2		+25 °C, 10 years

*1 Frequency tolerance includes variation in reflow soldering drift, operating temperature range, supply voltage range and load change.

*2 50 MHz < f₀ ≤ 60 MHz: $\pm 15 \times 10^{-6}$ Max.

External dimensions

(Unit:mm)



Footprint (Recommended)

(Unit:mm)

