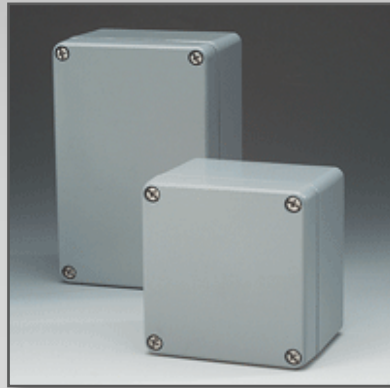


# Aluminum 01

## Standard Industrial Enclosure



For Finishing Services, Product Support, or to Order

Call 1-301-696-9800



- Robust aluminum enclosure for mechanical engineering and automation technology
- Fastening options for DIN rails and mounting plate
- Field enclosure (2 sizes) with open external fastening
- Usable in wide temperature area

## Technical Data

### Material:

DIN EN 1706 EN AC-AISI 12 (Fe)

### Painting:

powder coating

### Color:

RAL 7001, silver gray  
special color on request

### Ingress protection:

IP 66 to EN 60529  
higher protection on request

### Impact resistance:

7 Joule to EN 60079-0

### Temperature range:

PU (polyurethane) seal (std.): -40°C to +90°C  
CR (chloroprene) seal: -40°C to +100°C  
VMQ(silicone) seal (optional): -60°C to +130°C

### Included in delivery

Aluminum enclosure consisting of lid, seal incl. captive +/- stainless steel screws, base with 2 or 4 earthing screws

# Aluminum Standard

**Program Range** For Painted Enclosures Add 0 to Part #. For Unpainted Enclosures Add 8 to Part #.

## Standard enclosures

Part No.	W x L x H (mm)	DIN rails for terminals		Earthing rail, number of clamps	Mounting plate, thickness in mm <sup>1)</sup>	External brackets set <sup>2)</sup>	External aluminum hinge pair <sup>3), 4)</sup>	Internal hinge pair <sup>2), 4)</sup>	Quick lock <sup>5)</sup>	Turn bolt fastener <sup>4)</sup>
		TS 15	TS 35							
01.05 05 03	45 x 50 x 30									
01.06 06 03	64 x 58 x 34									
01.06 10 03	64 x 98 x 34									
01.06 15 03	64 x 150 x 34									
01.06 19 03	64 x 185 x 34									
01.08 08 06	80 x 75 x 57				1,5					
01.08 13 06	80 x 125 x 57				1,5					
01.08 18 06	80 x 175 x 57				1,5					
01.08 25 05	80 x 250 x 52									
01.10 10 08	100 x 100 x 81				1,5	•	•		•	
01.10 16 08	100 x 160 x 81				1,5	•	•		•	
01.10 20 08	100 x 200 x 81				1,5	•	•		•	
01.12 12 08	120 x 122 x 81		•	6	1,5	•	•		•	
01.12 12 09	120 x 122 x 91		•	6	1,5	•	•		•	
01.12 22 08	120 x 220 x 81		•	13	1,5	•	•		•	
01.12 22 09	120 x 220 x 91		•	13	1,5	•	•		•	
01.12 22 12	120 x 220 x 118		•	13	1,5	•	•		•	
01.12 36 08	120 x 360 x 81		•	23	1,5	•	•		•	
01.14 14 09	140 x 140 x 91		•	6	1,5	•	•		•	
01.14 20 09	140 x 200 x 91		•	11	1,5	•	•	•	•	•
01.16 16 09	160 x 160 x 91		•	8	1,5	•	•	•	•	•
01.16 26 09	160 x 260 x 91		•	16	1,5	•	•	•	•	•
01.16 36 09	160 x 360 x 91		•	23	1,5	•	•	•	•	•
01.16 56 09	160 x 560 x 91		•	36	2,0	•	•	•	•	•
01.18 18 10	180 x 180 x 101		•	8	1,5	•	•	•	•	•
01.18 28 10	180 x 280 x 101		•	17	1,5	•	•	•	•	•
01.23 10 11	230 x 100 x 111		•	-	1,5	•	•	•	•	•
01.23 20 11	232 x 202 x 111		•	10	1,5	•	•	•	•	•
01.23 20 18	232 x 202 x 181		•	10	1,5	•	•	•	•	•
01.23 28 11	230 x 280 x 111		•	16	1,5	•	•	•	•	•
01.23 33 11	230 x 330 x 111		•	21	1,5	•	•	•	•	•
01.23 33 18	230 x 330 x 181		•	21	1,5	•	•	•	•	•
01.23 40 11	230 x 400 x 111		•	25	2	•	•	•	•	•
01.23 40 23	230 x 400 x 225		•	25	2	•	•	•	•	•
01.23 60 11	230 x 600 x 111		•	40	2	•	•	•	•	•
01.31 40 11	313 x 404 x 111		•	25	2	•	•	•	•	•
01.31 40 14	312 x 403 x 141		•	25	2	•	•	•	•	•
01.31 40 18	313 x 404 x 181		•	25	2	•	•	•	•	•
01.31 40 23	313 x 404 x 227		•	25	2	•	•	•	•	•
01.31 60 11	310 x 600 x 111		•	40	2	•	•	•	•	•
01.31 60 18	310 x 600 x 181		•	40	2	•	•	•	•	•
01.60 60 20	600 x 600 x 202		•		2,5					

## Field enclosure with integrated external fastening

01.06 12 00	64 x 115 x 34									
01.06 19 00	64 x 185 x 34									

<sup>1)</sup> galvanized sheet steel   <sup>2)</sup> stainless steel   <sup>3)</sup> diecast alu   <sup>4)</sup> Please quote installation side A-D when ordering   <sup>5)</sup> on request

## Other accessories

EMC screening (without type 01.60 60 20)  
 SWB/SBG/SBGL corrosion protection (RAL 5009)  
 Allen lid screws (without type 01.60 60 20)  
 Silicone lid seal up to +130°C  
 Sealable lid screws in steel (without type 01.60 60 20)



# Aluminum Standard

## Terminal mounting

Weidmüller																				Earth conductor connection				
DIN rail TS 15					X	X	X	X													WPE	Earthing bar 2.5 mm² with cable lug max. 10 mm²	Earthing screw M4 with cable lug max. 6 mm²	M6 with cable lug max. 35 mm²
DIN rail TS 35								X	X	X	X	X	X	X	X	X	X	X	X					
Voltage (V)	500	400	400	400	250	400	250	400	500	800	800	800	1000	1000	1000	1000	1000	1000	1000					
Current (A)	24	32	32	32	17	15	24	32	24	24	32	41	57	76	125	192	232	269	309					
Nom. cross section (mm²)	2,5	4	4	4	1,5	1,5	2,5	4	2,5	2,5	4	6	10	16	35	70	95	120	150					
Terminal width (mm)	38	38	52	92	5,1	3,5	5,1	6,1	5,1	5,1	6,1	8	10	12	16	20,5	27	27	32					
Terminal type																								
Type																								
01.05 05 03	1																							
01.06 06 03		1																				1		
01.06 10 03			1																			2		
01.06 15 03				1																		2		
01.06 19 03					1																	2		
01.08 08 06					8	11	8	6	8													2		
01.08 13 06					18	26	18	15	18													2		
01.08 18 06					28	40	28	23	28													2		
01.08 25 05					43	61	43	36	43													2		
01.10 10 08					13	18	13	10	13													2		
01.10 16 08					25	36	25	21	25													2		
01.10 20 08					33	47	33	27	33													2		
01.12 12 08										16	13	10										5		
01.12 12 09										16	13	10	8									5	4	
01.12 22 08										35	29	22	17									13	4	
01.12 22 09										35	29	22	17									13	4	
01.12 22 12										36	30	22	18									13	4	
01.12 36 08										63	52	39	31									23	4	
01.14 14 09										20	16	12	10									6	4	
01.14 20 09										32	26	20	16	13								11	4	
01.16 16 09										23	19	14	11	9								8	4	
01.16 26 09										43	36	27	21	18								16	4	
01.16 36 09										63	52	39	31	26								23	4	
01.16 56 09										103	86	64	51	43								38	4	
01.18 18 10										28	23	17	14	11								8	4	
01.18 28 10										47	39	29	23	19								17	4	
01.23 10 11											31	23	18	15								13	4	
01.23 20 11										32*	26*	20*	16*	13*	10	7						12	4	
01.23 20 18										32*	26*	20*	16*	13*	10	7						12	4	
01.23 28 11										47*	39*	29*	23*	19*	14	11						16	4	
01.23 33 11										57*	48*	36*	28*	24*	18	14						21	4	
01.23 33 18										57*	48*	36*	28*	24*	18	14						21	4	
01.23 40 11										71*	59*	44*	35*	29*	22*	17						25	4	
01.23 40 23										71*	59*	44*	35*	29*	22*	17	13	13				25	4	
01.23 60 11										111*	92*	69*	55*	46*	34*	27						41	4	
01.31 40 11										71**	59**	44**	35**	29**	22*	17						26	4	
01.31 40 14										71**	59**	44**	35**	29**	22*	17						26	4	
01.31 40 18										71**	59**	44**	35**	29**	22*	17	13	13				26	4	
01.31 40 23										71**	59**	44**	35**	29**	22*	17	13	13				26	4	
01.31 60 11										111**	92**	69**	55**	46**	34*	27						40	4	
01.31 60 18										111**	92**	69**	55**	46**	34*	27	20	20				40	4	
01.60 60 20										109**	91**	68**	54**	45**	34**	26**	20**	20**	15			40	4	
<b>Field enclosure with integrated external fastening</b>																								
01.06 12 00				1																				
01.06 19 00					1																			

\* 2 DIN rails possible = double number of terminals  
 \*\* 3 DIN rails possible = triple number of terminals

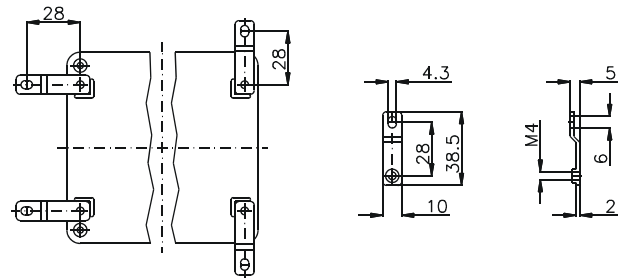
## Accessories



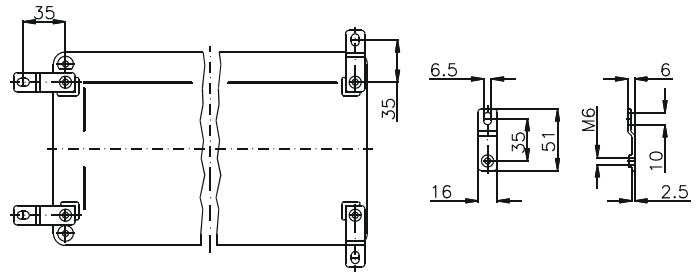
**External brackets**  
set = 4 pcs

Order No.	for enclosure
<b>10.03 11 01</b>	01.08 08 06 - 01.10 20 08
<b>10.03 11 02</b>	01.12 12 08 - 01.31 60 18

Type 10.03 11 01

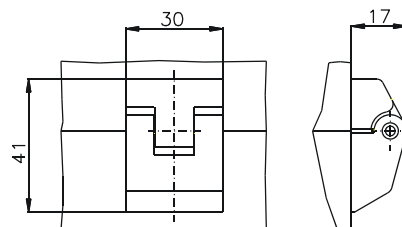


Type 10.03 11 02



**External hinge**  
opening angle 150°  
set = 2 pcs

Order No. **10.02 70 01**



**Internal hinge**  
opening angle 95°  
set = 2 pcs

Order No. **10.02 20 01**

Type: **01.05 05 03**

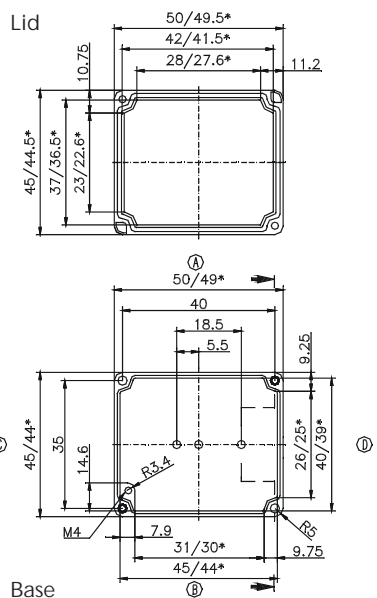
External dimensions: **45 x 50 x 30 mm**

Weight: **91 g**

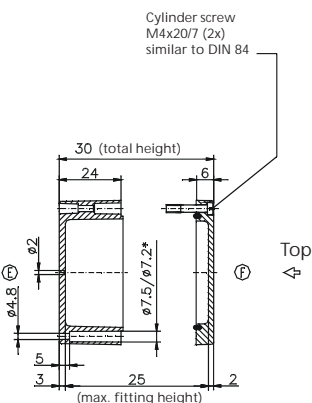
DIN rail length in mm	max. fitting length in mm	Earthing rail clamp	Mounting plate (thickness in mm)	External mounting brackets	External hinge* set	EMC version	Internal hinge* set	SWB / SBGL Corr.protection	Allen lid screws	Silicone lid seal	Sealable lid screws in steel	Turn bolt fastener on request	Quick lock
						•		•	•		•		

Maximum number of cable glands *to DIN 50262\**

M	Corner dim.	Side		PG	Corner dim.	Side	
		A/B	C/D			A/B	C/D
12	17.25	2	1	7	17.25	2	1
16	25.30			9	21.85	1	
20	27.60			11	25.30		
25	37.95			13.5	27.60		
32	48.30			16	31.05		
40	60.95			21	37.95		
50	69.00			29	48.30		
63	74.75			36	60.95		
				42	69.00		
				48	74.75		



\* = Conical form tapering downwards  
Free dimensions-tolerance to GTA 13/5 DIN 1688



Type: **01.06 06 03**

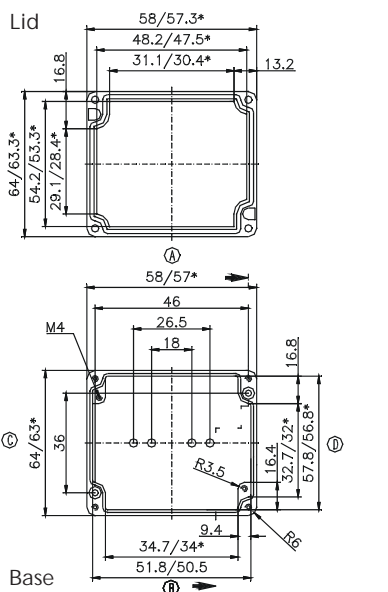
External dimensions: **64 x 58 x 34 mm**

Weight: **165 g**

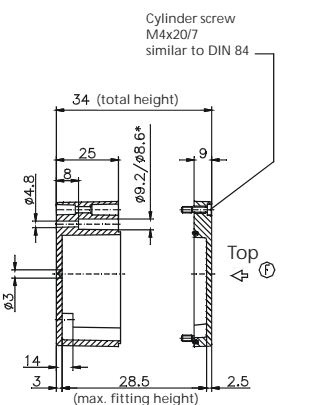
DIN rail length in mm	max. fitting length in mm	Earthing rail clamp	Mounting plate (thickness in mm)	External mounting brackets	External hinge* set	EMC version	Internal hinge* set	SWB / SBGL Corr.protection	Allen lid screws	Silicone lid seal	Sealable lid screws in steel	Turn bolt fastener on request	Quick lock
						•		•	•	•	•		

Maximum number of cable glands *to DIN 50262\**

M	Corner dim.	Side		PG	Corner dim.	Side	
		A/B	C/D			A/B	C/D
12	17.25	2	1	7	17.25	2	1
16	25.30			9	21.85	1	1
20	27.60			11	25.30		
25	37.95			13.5	27.60		
32	48.30			16	31.05		
40	60.95			21	37.95		
50	69.00			29	48.30		
63	74.75			36	60.95		
				42	69.00		
				48	74.75		



\* = Conical form tapering downwards  
Free dimensions-tolerance to GTA 13/5 DIN 1688



\* Please quote mounting side

Type: **01.06 10 03**

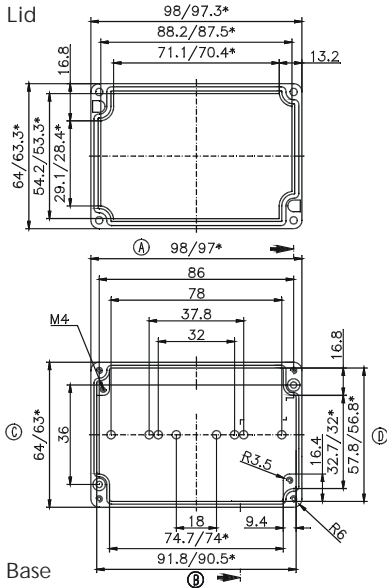
External dimensions: **64 x 98 x 34 mm**

Weight: **224 g**

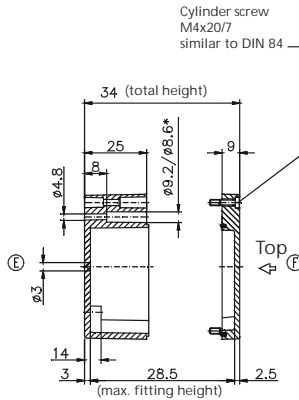
DIN rail length in mm	max. fitting length in mm	Earthing rail clamp	Mounting plate (thickness in mm)	External mounting brackets	External hinge* set	EMC version	Internal hinge* set	SWB / SBGL Corr.protection	Allen lid screws	Silicone lid seal	Sealable lid screws in steel	Turn bolt fastener on request	Quick lock
TS 15													
87.5						•		•	•	•	•		

Maximum number of cable glands *to DIN 50262\**

M	Corner dim.	Side			PG	Corner dim.	Side		
		A	B	C			D	A	B
12	17.25	4		1	7	17.25	4	1	
16	25.30				9	21.85	3	1	
20	27.60				11	25.30			
25	37.95				13.5	27.60			
32	48.30				16	31.05			
40	60.95				21	37.95			
50	69.00				29	48.30			
63	74.75				36	60.95			
					42	69.00			
					48	74.75			



\* = Conical form tapering downwards  
Free dimensions-tolerance to GTA 13/5 DIN 1688



Type: **01.06 12 00**

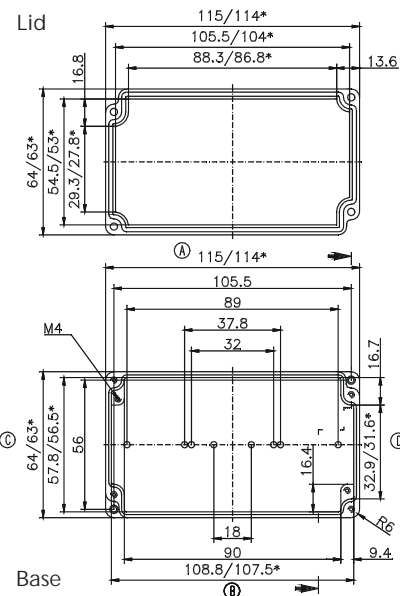
External dimensions: **64 x 115 x 34 mm**

Weight: **290 g**

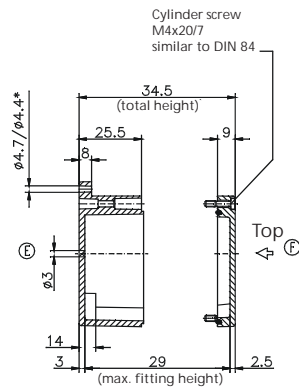
DIN rail length in mm	max. fitting length in mm	Earthing rail clamp	Mounting plate (thickness in mm)	External mounting brackets	External hinge* set	EMC version	Internal hinge* set	SWB / SBGL Corr.protection	Allen lid screws	Silicone lid seal	Sealable lid screws in steel	Turn bolt fastener on request	Quick lock
						•		•	•	•	•		

Maximum number of cable glands *to DIN 50262\**

M	Corner dim.	Side			PG	Corner dim.	Side		
		A	B	C			D	A	B
12	17.25	5		1	7	17.25	5	1	
16	25.30				9	21.85	4	1	
20	27.60				11	25.30			
25	37.95				13.5	27.60			
32	48.30				16	31.05			
40	60.95				21	37.95			
50	69.00				29	48.30			
63	74.75				36	60.95			
					42	69.00			
					48	74.75			



\* = Conical form tapering downwards  
Free dimensions-tolerance to GTA 13/5 DIN 1688



\* Please quote mounting side



Type: 01.06 15 03

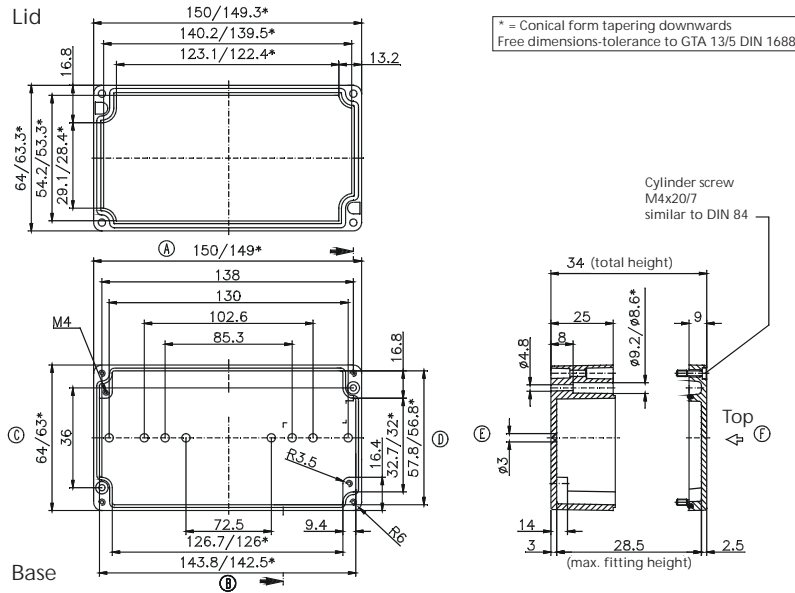
External dimensions: 64 x 150 x 34 mm

Weight: 316 g

DIN rail length in mm	max. fitting length in mm	Earthing rail clamp	Mounting plate (thickness in mm)	External mounting brackets	External hinge* set	EMC version	Internal hinge* set	SWB / SBG / SBGL Corr.protection	Allen lid screws	Silicone lid seal	Sealable lid screws in steel	Turn bolt fastener on request	Quick lock
TS 15						•							
139						•		•	•	•	•		

Maximum number of cable glands to DIN 50262\*

M	Corner dim.	Side			PG	Corner dim.	Side		
		A	B	C			D	A	B
12	17.25	8		1	7	17.25	8	1	
16	25.30				9	21.85	6	1	
20	27.60				11	25.30			
25	37.95				13.5	27.60			
32	48.30				16	31.05			
40	60.95				21	37.95			
50	69.00				29	48.30			
63	74.75				36	60.95			
					42	69.00			
					48	74.75			



Type: 01.06 19 03

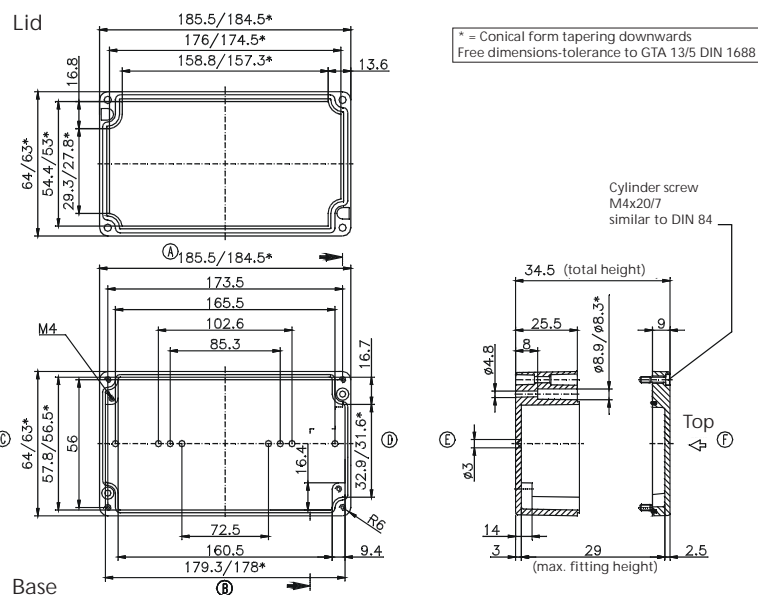
External dimensions: 64 x 185 x 34 mm

Weight: 500 g

DIN rail length in mm	max. fitting length in mm	Earthing rail clamp	Mounting plate (thickness in mm)	External mounting brackets	External hinge* set	EMC version	Internal hinge* set	SWB / SBG / SBGL Corr.protection	Allen lid screws	Silicone lid seal	Sealable lid screws in steel	Turn bolt fastener on request	Quick lock
TS 15						•							
174						•		•	•	•	•		

Maximum number of cable glands to DIN 50262\*

M	Corner dim.	Side			PG	Corner dim.	Side		
		A	B	C			D	A	B
12	17.25	10			7	17.25	10		
16	25.30				9	21.85			
20	27.60				11	25.30			
25	37.95				13.5	27.60			
32	48.30				16	31.05			
40	60.95				21	37.95			
50	69.00				29	48.30			
63	74.75				36	60.95			
					42	69.00			
					48	74.75			



\* Please quote mounting side

Type: **01.06 19 00**

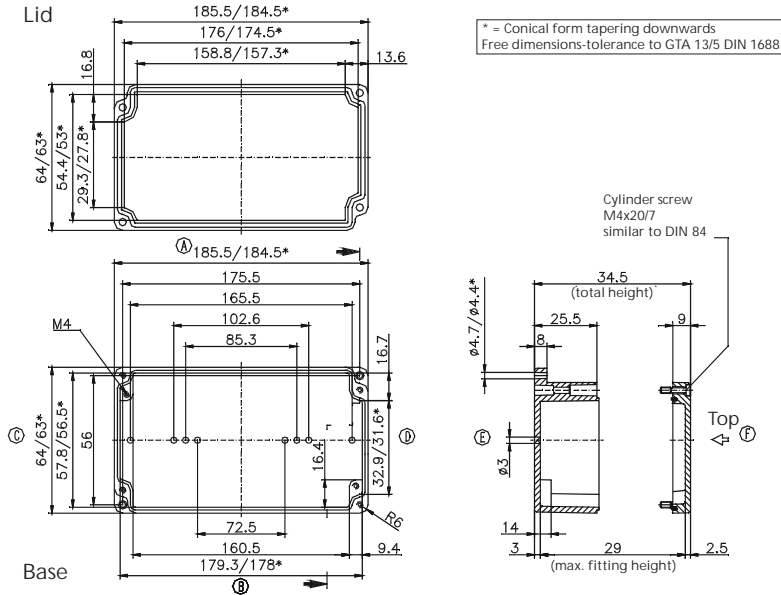
External dimensions: **64 x 185 x 34 mm**

Weight: **420 g**

DIN rail length in mm	max. fitting length in mm	Earthing rail clamp	Mounting plate (thickness in mm)	External mounting brackets	External hinge* set	EMC version	Internal hinge* set	SWB / SBG / SBGL Corr.protection	Allen lid screws	Silicone lid seal	Sealable lid screws in steel	Turn bolt fastener on request	Quick lock
TS 15													
174						•		•	•	•	•		

Maximum number of cable glands *to DIN 50262\**

M	Corner dim.	Side		PG	Corner dim.	Side	
		A/B	C/D			A/B	C/D
12	17.25	10	1	7	17.25	10	1
16	25.30			9	21.85	7	1
20	27.60			11	25.30		
25	37.95			13.5	27.60		
32	48.30			16	31.05		
40	60.95			21	37.95		
50	69.00			29	48.30		
63	74.75			36	60.95		
				42	69.00		
				48	74.75		



Type: **01.08 08 06**

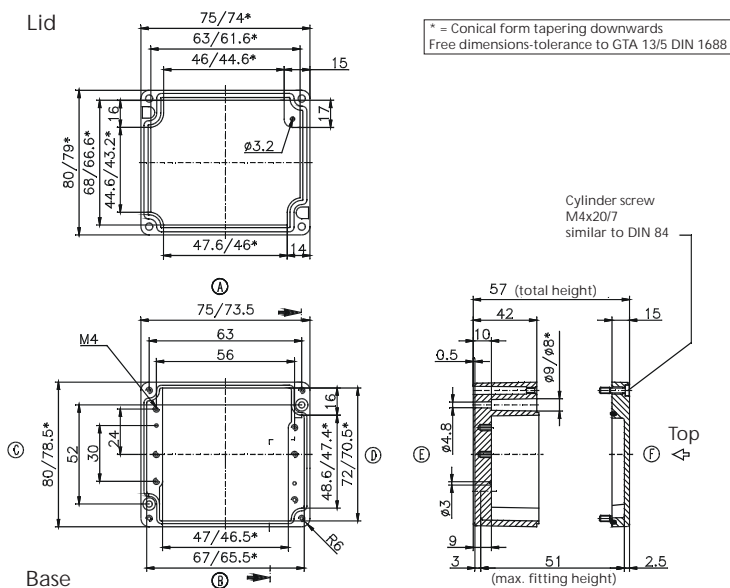
External dimensions: **80 x 75 x 57 mm**

Weight: **360 g**

DIN rail length in mm	max. fitting length in mm	Earthing rail clamp	Mounting plate (thickness in mm)	External mounting brackets	External hinge* set	EMC version	Internal hinge* set	SWB / SBG / SBGL Corr.protection	Allen lid screws	Silicone lid seal	Sealable lid screws in steel	Turn bolt fastener on request	Quick lock
TS 15													
63	46		1.5	•		•		•	•	•	•		•

Maximum number of cable glands *to DIN 50262\**

M	Corner dim.	Side		PG	Corner dim.	Side	
		A/B	C/D			A/B	C/D
12	17.25	3	5	7	17.25	2	5
16	25.30	1	2	9	21.85	1	2
20	27.60	1	2	11	25.30	1	2
25	37.95	1	1	13.5	27.60	1	2
32	48.30			16	31.05	1	1
40	60.95			21	37.95		
50	69.00			29	48.30		
63	74.75			36	60.95		
				42	69.00		
				48	74.75		



\* Please quote mounting side

Type: **01.08 13 06**

External dimensions: **80 x 125 x 57 mm**

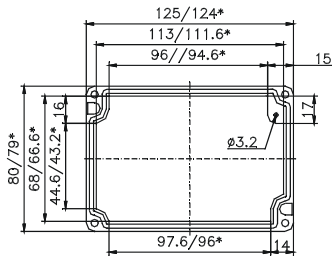
Weight: **500 g**

DIN rail length in mm	max. fitting length in mm	Earthing rail clamp	Mounting plate (thickness in mm)	External mounting brackets	External hinge* set	EMC version	Internal hinge* set	SWB / SBGL Corr.protection	Allen lid screws	Silicone lid seal	Sealable lid screws in steel	Turn bolt fastener on request	Quick lock
TS 15													
113	96		1.5	•		•		•	•		•		•

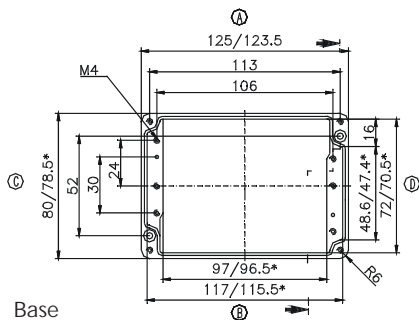
Maximum number of cable glands to DIN 50262\*

M	Corner dim.	Side				PG	Corner dim.	Side					
		A	B	C	D			A	B	C	D		
12	17.25	9	5	7	17.25	8	5						
16	25.30	4	2	9	21.85	6	2						
20	27.60	3	2	11	25.30	3	2						
25	37.95	2	1	13.5	27.60	3	2						
32	48.30			16	31.05	2	1						
40	60.95			21	37.95								
50	69.00			29	48.30								
63	74.75			36	60.95								
				42	69.00								
				48	74.75								

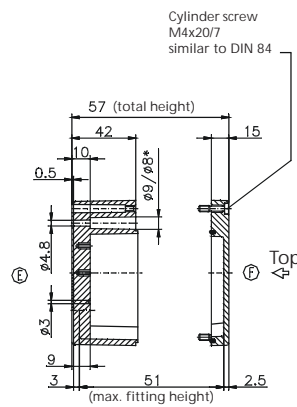
Lid



\* = Conical form tapering downwards  
Free dimensions-tolerance to GTA 13/5 DIN 1688



Base



Type: **01.08 18 06**

External dimensions: **80 x 175 x 57 mm**

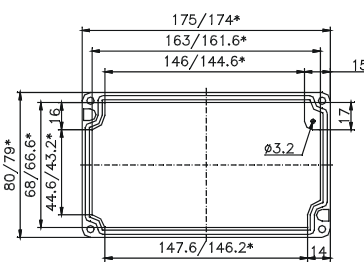
Weight: **630 g**

DIN rail length in mm	max. fitting length in mm	Earthing rail clamp	Mounting plate (thickness in mm)	External mounting brackets	External hinge* set	EMC version	Internal hinge* set	SWB / SBGL Corr.protection	Allen lid screws	Silicone lid seal	Sealable lid screws in steel	Turn bolt fastener on request	Quick lock
TS 15													
163	146		1.5	•		•		•	•		•		•

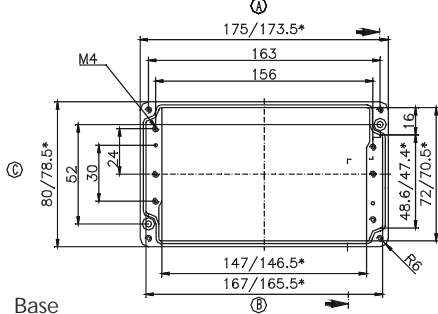
Maximum number of cable glands to DIN 50262\*

M	Corner dim.	Side				PG	Corner dim.	Side					
		A	B	C	D			A	B	C	D		
12	17.25	14	5	7	17.25	14	5						
16	25.30	6	2	9	21.85	9	2						
20	27.60	5	2	11	25.30	6	2						
25	37.95	3	1	13.5	27.60	5	2						
32	48.30			16	31.05	4	1						
40	60.95			21	37.95	3							
50	69.00			29	48.30								
63	74.75			36	60.95								
				42	69.00								
				48	74.75								

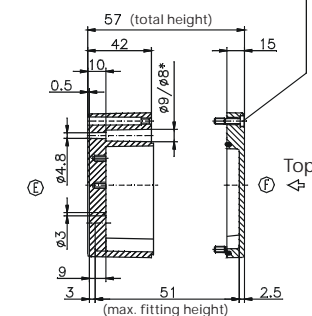
Lid



\* = Conical form tapering downwards  
Free dimensions-tolerance to GTA 13/5 DIN 1688



Base



\* Please quote mounting side

Type: **01.08 25 05**

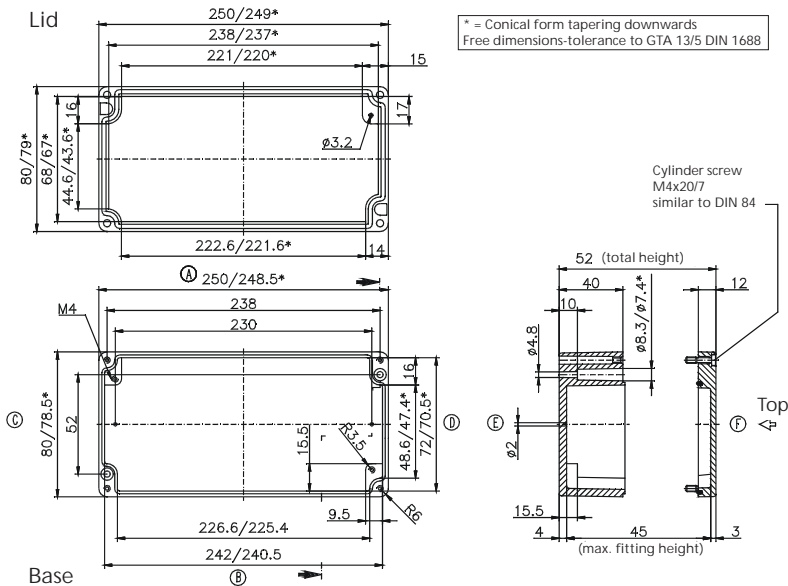
External dimensions: **80 x 250 x 52 mm**

Weight: **818 g**

DIN rail length in mm	max. fitting length in mm	Earthing rail clamp	Mounting plate (thickness in mm)	External mounting brackets	External hinge* set	EMC version	Internal hinge* set	SWB / SBGL Cor.protection	Allen lid screws	Silicone lid seal	Sealable lid screws in steel	Turn bolt fastener on request	Quick lock
TS 15	238	220											
238	220			•		•		•	•	•	•		•

Maximum number of cable glands *to DIN 50262\**

M	Corner dim.	Side		PG	Corner dim.	Side		
		A	C			B	D	
12	17.25	23	6	7	17.25	22	6	
16	25.30	9	2	9	21.85	15	3	
20	27.60	8	2	11	25.30	9	2	
25	37.95	5	1	13.5	27.60	8	2	
32	48.30				16	31.05	6	1
40	60.95				21	37.95	5	1
50	69.00				29	48.30		
63	74.75				36	60.95		
					42	69.00		
					48	74.75		



Type: **01.10 10 08**

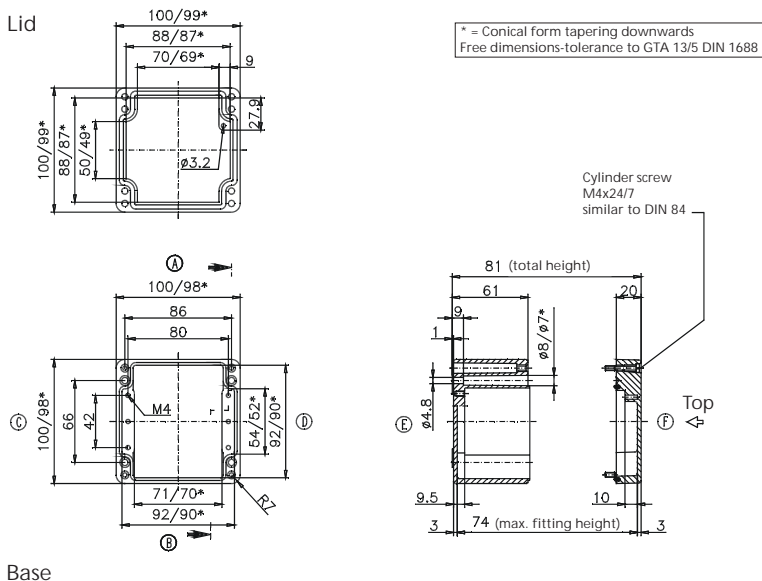
External dimensions: **100 x 100 x 81 mm**

Weight: **800 g**

DIN rail length in mm	max. fitting length in mm	Earthing rail clamp	Mounting plate (thickness in mm)	External mounting brackets	External hinge* set	EMC version	Internal hinge* set	SWB / SBGL Cor.protection	Allen lid screws	Silicone lid seal	Sealable lid screws in steel	Turn bolt fastener on request	Quick lock
TS 15/35	87,5	70	1.5	•	•	•		•	•	•	•		•

Maximum number of cable glands *to DIN 50262\**

M	Corner dim.	Side		PG	Corner dim.	Side		
		A	C			B	D	
12	17.25	12	9	7	17.25	12	9	
16	25.30	6	4	9	21.85	8	5	
20	27.60	5	3	11	25.30	5	4	
25	37.95	2	1	13.5	27.60	5	3	
32	48.30	1	1	16	31.05	4	2	
40	60.95				21	37.95	2	1
50	69.00				29	48.30	1	1
63	74.75				36	60.95		
					42	69.00		
					48	74.75		



\* Please quote mounting side

Type: **01.10 16 08**

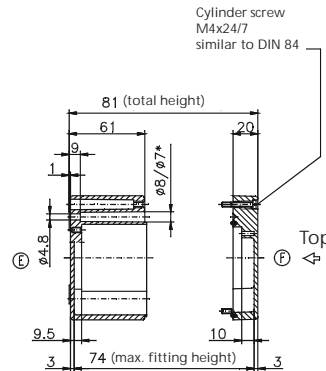
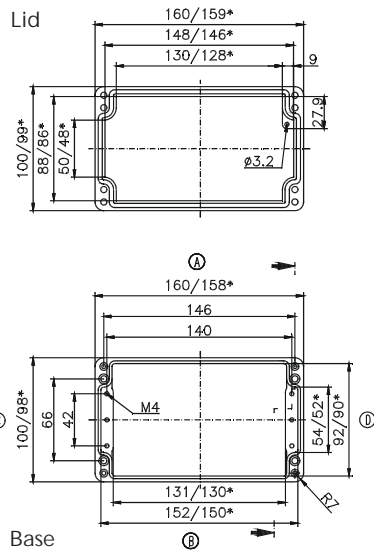
External dimensions: **100 x 160 x 81 mm**

Weight: **870 g**

DIN rail length in mm	max. fitting length in mm	Earthing rail clamp	Mounting plate (thickness in mm)	External mounting brackets	External hinge* set	EMC version	Internal hinge* set	SWB / SBG / SBGL Corr.protection	Allen lid screws	Silicone lid seal	Sealable lid screws in steel	Turn bolt fastener on request	Quick lock
TS 15/35													
148	130		1.5	•	•	•		•	•		•		•

Maximum number of cable glands *to DIN 50262\**

M	Corner dim.	Side		PG	Corner dim.	Side	
		A/B	C/D			A/B	C/D
12	17.25	24	9	7	17.25	22	8
16	25.30	11	4	9	21.85	17	5
20	27.60	10	3	11	25.30	11	4
25	37.95	4	1	13.5	27.60	10	3
32	48.30	3	1	16	31.05	8	2
40	60.95			21	37.95	4	1
50	69.00			29	48.30	3	1
63	74.75			36	60.95		
				42	69.00		
				48	74.75		



Type: **01.10 20 08**

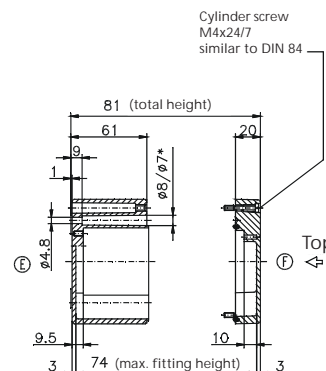
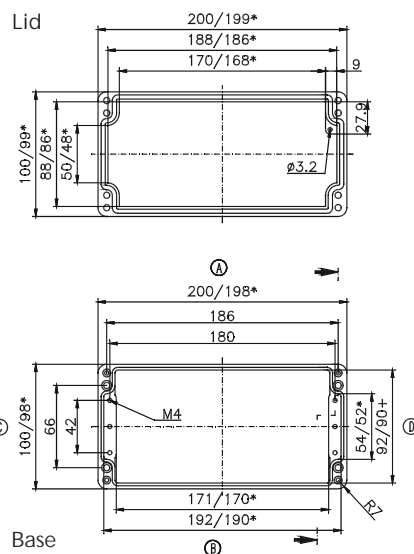
External dimensions: **100 x 200 x 81 mm**

Weight: **1200 g**

DIN rail length in mm	max. fitting length in mm	Earthing rail clamp	Mounting plate (thickness in mm)	External mounting brackets	External hinge* set	EMC version	Internal hinge* set	SWB / SBG / SBGL Corr.protection	Allen lid screws	Silicone lid seal	Sealable lid screws in steel	Turn bolt fastener on request	Quick lock
TS 15/35													
188	170		1.5	•	•	•		•	•	•	•		•

Maximum number of cable glands *to DIN 50262\**

M	Corner dim.	Side		PG	Corner dim.	Side	
		A/B	C/D			A/B	C/D
12	17.25	32	9	7	17.25	30	9
16	25.30	14	4	9	21.85	21	5
20	27.60	12	3	11	25.30	12	4
25	37.95	5	1	13.5	27.60	12	3
32	48.30	3	1	16	31.05	10	2
40	60.95			21	37.95	5	1
50	69.00			29	48.30	3	1
63	74.75			36	60.95		
				42	69.00		
				48	74.75		



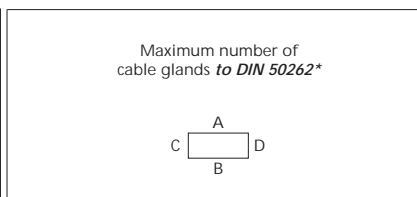
\* Please quote mounting side

Type: **01.12 12 08**

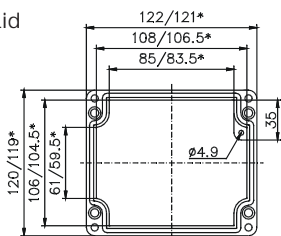
External dimensions: **120 x 122 x 81 mm**

Weight: **1044 g**

DIN rail length in mm	max. fitting length in mm	Earthing rail clamp	Mounting plate (thickness in mm)	External mounting brackets	External hinge* set	EMC version	Internal hinge* set	SWB / SBG / SBGL Corr.protection	Allen lid screws	Silicone lid seal	Sealable lid screws in steel	Turn bolt fastener on request	Quick lock
TS 35	85	5	1.5	•	•	•		•	•	•	•		•

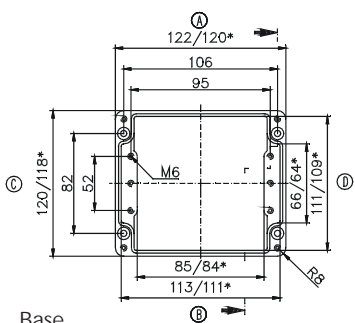
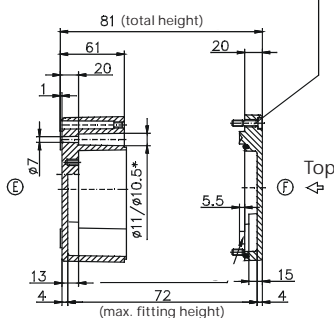


Lid



\* = Conical form tapering downwards  
Free dimensions-tolerance to GTA 13/5 DIN 1688

Cylinder screw M6x25/10 similar to DIN 84



Base

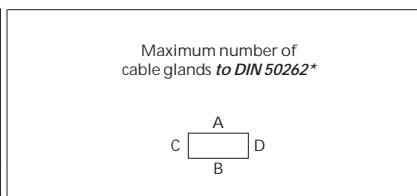
M	Corner dim.	Side		PG	Corner dim.	Side	
		A	C			B	D
12	17.25	10	11	7	17.25	10	11
16	25.30	5	5	9	21.85	8	6
20	27.60	4	4	11	25.30	5	4
25	37.95	2	2	13.5	27.60	4	3
32	48.30	1	1	16	31.05	3	2
40	60.95			21	37.95	2	2
50	69.00			29	48.30	2	1
63	74.75			36	60.95		
				42	69.00		
				48	74.75		

Type: **01.12 12 09**

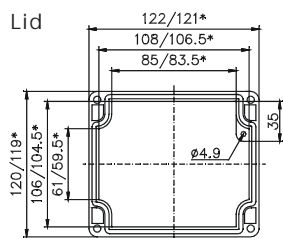
External dimensions: **120 x 122 x 91 mm**

Weight: **1170 g**

DIN rail length in mm	max. fitting length in mm	Earthing rail clamp	Mounting plate (thickness in mm)	External mounting brackets	External hinge* set	EMC version	Internal hinge* set	SWB / SBG / SBGL Cor.protection	Allen lid screws	Silicone lid seal	Sealable lid screws in steel	Turn bolt fastener on request	Quick lock
TS 35	85	5	1.5	•	•	•		•	•	•	•		•

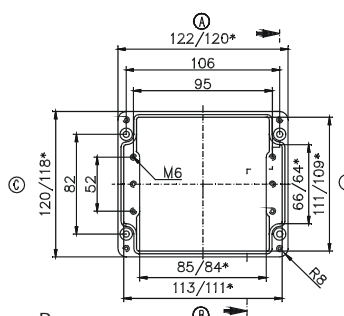
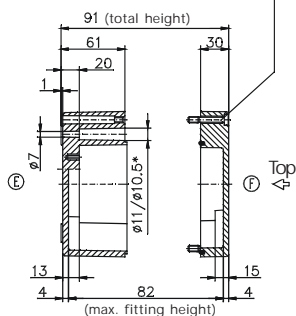


Lid



\* = Conical form tapering downwards  
Free dimensions-tolerance to GTA 13/5 DIN 1688

Cylinder screw M6x25/10 similar to DIN 84



Base

M	Corner dim.	Side		PG	Corner dim.	Side	
		A	C			B	D
12	17.25	10	11	7	17.25	10	11
16	25.30	5	5	9	21.85	8	6
20	27.60	4	4	11	25.30	5	4
25	37.95	2	2	13.5	27.60	4	3
32	48.30	1	1	16	31.05	3	2
40	60.95			21	37.95	2	2
50	69.00			29	48.30	1	1
63	74.75			36	60.95		
				42	69.00		
				48	74.75		

\* Please quote mounting side

Type: **01.12 22 08**

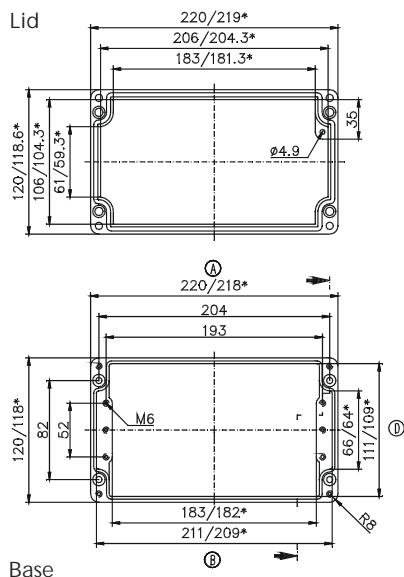
External dimensions: **120 x 220 x 81 mm**

Weight: **1445 g**

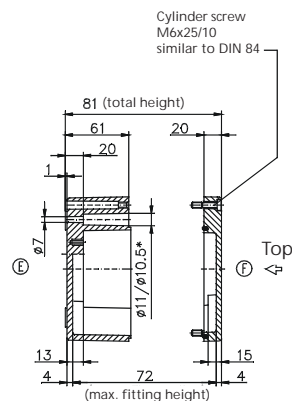
DIN rail length in mm	max. fitting length in mm	Earthing rail clamp	Mounting plate (thickness in mm)	External mounting brackets	External hinge* set	EMC version	Internal hinge* set	SWB / SBGL Corr.protection	Allen lid screws	Silicone lid seal	Sealable lid screws in steel	Turn bolt fastener on request	Quick lock
TS 35	183	13	1.5	•	•	•		•	•	•	•		•

Maximum number of cable glands *to DIN 50262\**

M	Corner dim.	Side		PG	Corner dim.	Side	
		A/B	C/D			A/B	C/D
12	17.25	30	11	7	17.25	30	11
16	25.30	12	6	9	21.85	20	6
20	27.60	12	4	11	25.30	12	4
25	37.95	5	2	13.5	27.60	12	4
32	48.30	3	1	16	31.05	10	2
40	60.95			21	37.95	5	2
50	69.00			29	48.30	3	1
63	74.75			36	60.95		
				42	69.00		
				48	74.75		



\* = Conical form tapering downwards  
Free dimensions-tolerance to GTA 13/5 DIN 1688



Type: **01.12 22 09**

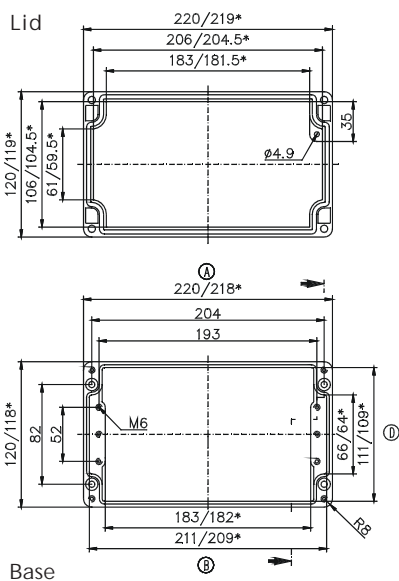
External dimensions: **120 x 220 x 91 mm**

Weight: **1800 g**

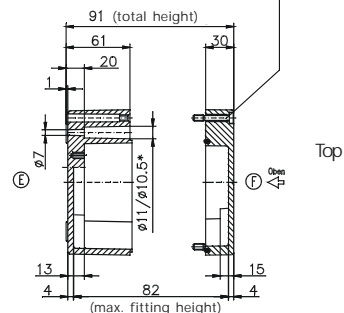
DIN rail length in mm	max. fitting length in mm	Earthing rail clamp	Mounting plate (thickness in mm)	External mounting brackets	External hinge* set	EMC version	Internal hinge* set	SWB / SBGL Corr.protection	Allen lid screws	Silicone lid seal	Sealable lid screws in steel	Turn bolt fastener on request	Quick lock
TS 35	183	13	1.5	•	•	•		•	•	•	•		•

Maximum number of cable glands *to DIN 50262\**

M	Corner dim.	Side		PG	Corner dim.	Side	
		A/B	C/D			A/B	C/D
12	17.25	34	11	7	17.25	34	11
16	25.30	15	6	9	21.85	24	6
20	27.60	14	4	11	25.30	15	4
25	37.95	6	2	13.5	27.60	14	4
32	48.30	4	1	16	31.05	11	2
40	60.95			21	37.95	6	2
50	69.00			29	48.30	4	1
63	74.75			36	60.95		
				42	69.00		
				48	74.75		



\* = Conical form tapering downwards  
Free dimensions-tolerance to GTA 13/5 DIN 1688



\* Please quote mounting side

Type: **01.12 22 12**

External dimensions: **120 x 220 x 118 mm**

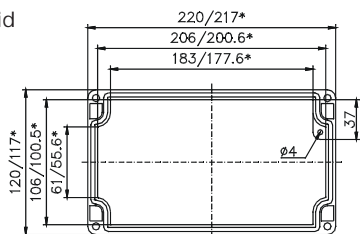
Weight: **1410 g**

DIN rail length in mm	max. fitting length in mm	Earthing rail clamp	Mounting plate (thickness in mm)	External mounting brackets	External hinge* set	EMC version	Internal hinge* set	SWB / SBGL Corr.protection	Allen lid screws	Silicone lid seal	Sealable lid screws in steel	Turn bolt fastener on request	Quick lock
TS 35	208	183	13	1.5	•	•	•	•	•	•	•	•	•

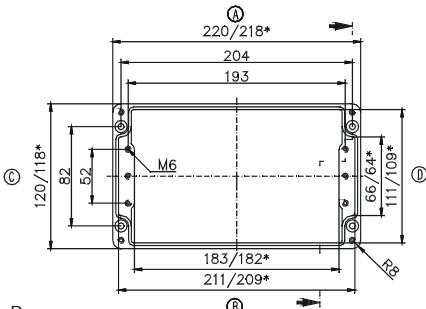
Maximum number of cable glands *to DIN 50262\**

M	Corner dim.	Side		PG	Corner dim.	Side	
		A/B	C/D			A/B	C/D
12	17.25	34	11	7	17.25	34	11
16	25.30	15	6	9	21.85	24	6
20	27.60	14	4	11	25.30	15	4
25	37.95	6	2	13.5	27.60	14	4
32	48.30	4	1	16	31.05	11	2
40	60.95			21	37.95	6	2
50	69.00			29	48.30	4	1
63	74.75			36	60.95		
				42	69.00		
				48	74.75		

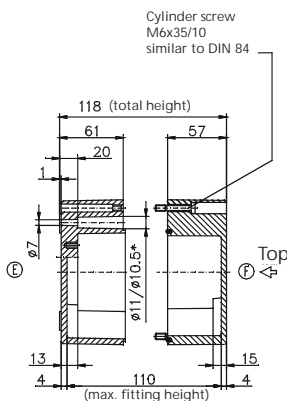
Lid



\* = Conical form tapering downwards  
Free dimensions-tolerance to GTA 13/5 DIN 1688



Base



Type: **01.12 36 08**

External dimensions: **120 x 360 x 81 mm**

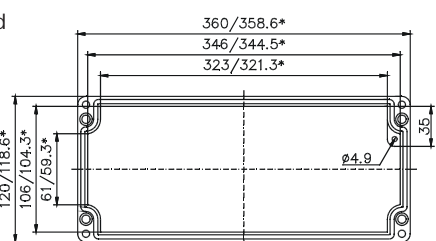
Weight: **2100 g**

DIN rail length in mm	max. fitting length in mm	Earthing rail clamp	Mounting plate (thickness in mm)	External mounting brackets	External hinge* set	EMC version	Internal hinge* set	SWB / SBGL Corr.protection	Allen lid screws	Silicone lid seal	Sealable lid screws in steel	Turn bolt fastener on request	Quick lock
TS 35	343	323	23	1.5	•	•	•	•	•	•	•	•	•

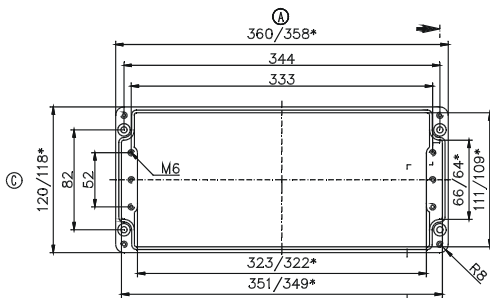
Maximum number of cable glands *to DIN 50262\**

M	Corner dim.	Side		PG	Corner dim.	Side	
		A/B	C/D			A/B	C/D
12	17.25	58	11	7	17.25	58	11
16	25.30	26	5	9	21.85	41	6
20	27.60	24	4	11	25.30	26	4
25	37.95	10	2	13.5	27.60	24	3
32	48.30	7	1	16	31.05	20	2
40	60.95			21	37.95	10	2
50	69.00			29	48.30	7	1
63	74.75			36	60.95		
				42	69.00		
				48	74.75		

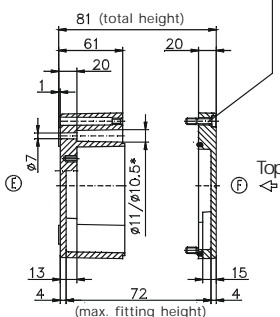
Lid



\* = Conical form tapering downwards  
Free dimensions-tolerance to GTA 13/5 DIN 1688



Base



\* Please quote mounting side



Type: **01.14 14 09**

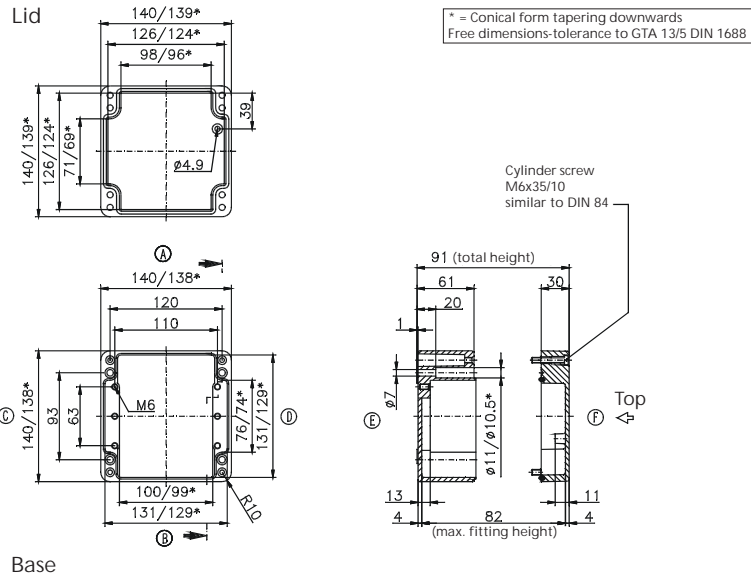
External dimensions: **140 x 140 x 91 mm**

Weight: **1470 g**

DIN rail length in mm	max. fitting length in mm	Earthing rail clamp	Mounting plate (thickness in mm)	External mounting brackets	External hinge* set	EMC version	Internal hinge* set	SWB / SBG / SBGL Corr.protection	Allen lid screws	Silicone lid seal	Sealable lid screws in steel	Turn bolt fastener on request	Quick lock
TS 35	100	6	1.5	•	•	•		•	•	•	•		•

Maximum number of cable glands to DIN 50262\*

M	Corner dim.	Side		PG	Corner dim.	Side	
		A/B	C/D			A/B	C/D
12	17.25	18	12	7	17.25	18	12
16	25.30	8	6	9	21.85	12	6
20	27.60	8	4	11	25.30	8	5
25	37.95	3	2	13.5	27.60	8	4
32	48.30	2	1	16	31.05	6	3
40	60.95			21	37.95	3	2
50	69.00			29	48.30	2	1
63	74.75			36	60.95		
				42	69.00		
				48	74.75		



Type: **01.14 20 09**

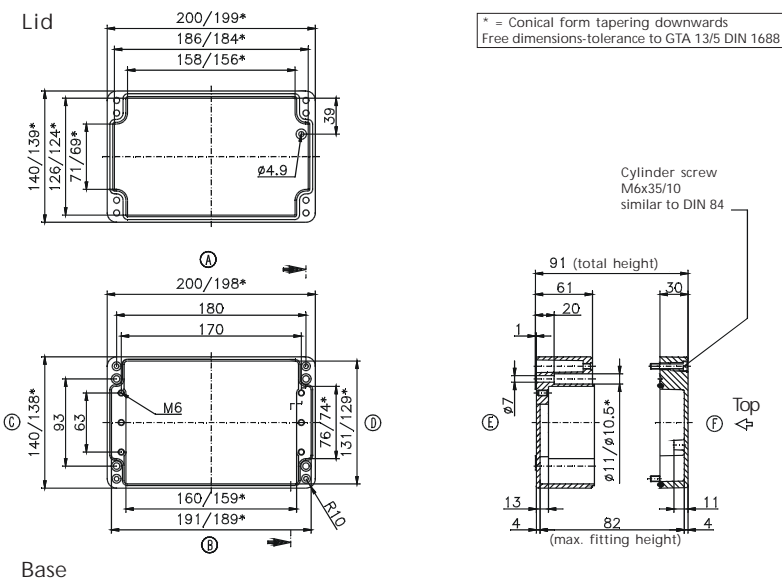
External dimensions: **140 x 200 x 91 mm**

Weight: **1760 g**

DIN rail length in mm	max. fitting length in mm	Earthing rail clamp	Mounting plate (thickness in mm)	External mounting brackets	External hinge* set	EMC version	Internal hinge* set	SWB / SBG / SBGL Corr.protection	Allen lid screws	Silicone lid seal	Sealable lid screws in steel	Turn bolt fastener on request	Quick lock
TS 35	160	12	1.5	•	•	•		•	•	•	•		•

Maximum number of cable glands to DIN 50262\*

M	Corner dim.	Side		PG	Corner dim.	Side	
		A/B	C/D			A/B	C/D
12	17.25	28	12	7	17.25	28	12
16	25.30	12	6	9	21.85	20	6
20	27.60	12	4	11	25.30	12	6
25	37.95	5	2	13.5	27.60	12	4
32	48.30	3	1	16	31.05	10	3
40	60.95			21	37.95	5	2
50	69.00			29	48.30	3	1
63	74.75			36	60.95		
				42	69.00		
				48	74.75		



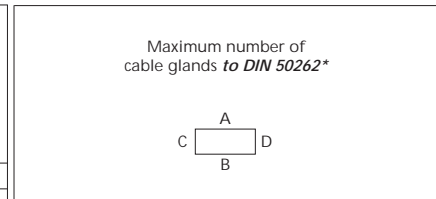
\* Please quote mounting side

Type: **01.16 16 09**

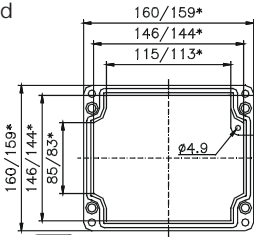
External dimensions: **160 x 160 x 91 mm**

Weight: **1760 g**

DIN rail length in mm	max. fitting length in mm	Earthing rail clamp	Mounting plate (thickness in mm)	External mounting brackets	External hinge* set	EMC version	Internal hinge* set	SWB / SBG / SBGL Corr.protection	Allen lid screws	Silicone lid seal	Sealable lid screws in steel	Turn bolt fastener on request	Quick lock
TS 35													
144	120	8	1.5	•	•	•	•	•	•	•	•	•	•

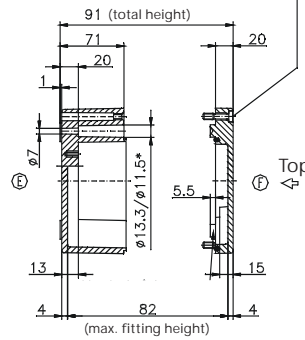


Lid

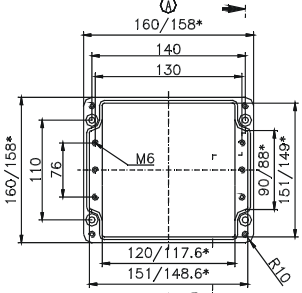


\* = Conical form tapering downwards  
Free dimensions-tolerance to GTA 13/5 DIN 1688

Cylinder screw  
M6x25/10  
similar to DIN 84



Base



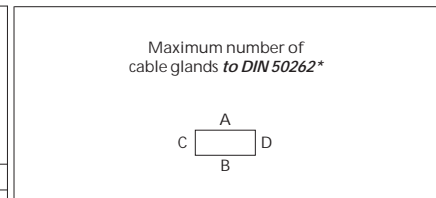
M	Corner dim.	Side		PG	Corner dim.	Side	
		A	C/D			A	C/D
12	17.25	26	16	7	17.25	26	16
16	25.30	12	8	9	21.85	15	11
20	27.60	9	6	11	25.30	12	6
25	37.95	5	3	13.5	27.60	9	6
32	48.30	3	2	16	31.05	8	5
40	60.95	2	1	21	37.95	5	3
50	69.00	2		29	48.30	2	2
63	74.75			36	60.95	2	1
				42	69.00	1	
				48	74.75		

Type: **01.16 26 09**

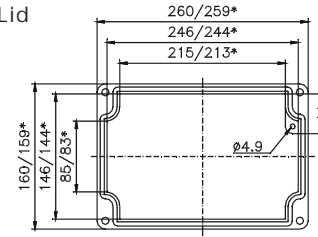
External dimensions: **160 x 260 x 91 mm**

Weight: **2300 g**

DIN rail length in mm	max. fitting length in mm	Earthing rail clamp	Mounting plate (thickness in mm)	External mounting brackets	External hinge* set	EMC version	Internal hinge* set	SWB / SBG / SBGL Corr.protection	Allen lid screws	Silicone lid seal	Sealable lid screws in steel	Turn bolt fastener on request	Quick lock
TS 35													
245	220	16	1.5	•	•	•	•	•	•	•	•	•	•

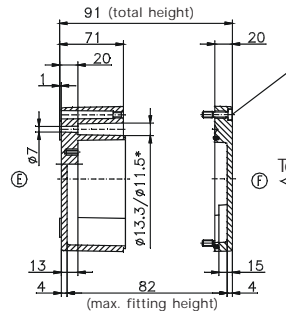


Lid

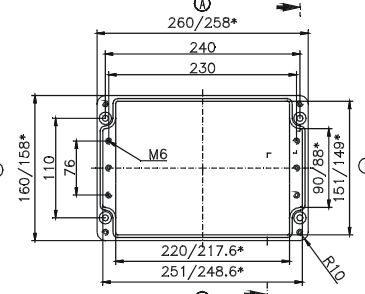


\* = Conical form tapering downwards  
Free dimensions-tolerance to GTA 13/5 DIN 1688

Cylinder screw  
M6x25/10  
similar to DIN 84



Base



M	Corner dim.	Side		PG	Corner dim.	Side	
		A	C/D			A	C/D
12	17.25	50	16	7	17.25	50	16
16	25.30	24	8	9	21.85	30	11
20	27.60	17	6	11	25.30	23	6
25	37.95	10	3	13.5	27.60	17	6
32	48.30	5	2	16	31.05	14	5
40	60.95	3	1	21	37.95	9	3
50	69.00	3		29	48.30	5	2
63	74.75			36	60.95	3	1
				42	69.00	3	
				48	74.75		

\* Please quote mounting side

Type: **01.16 36 09**

External dimensions: **160 x 360 x 91 mm**

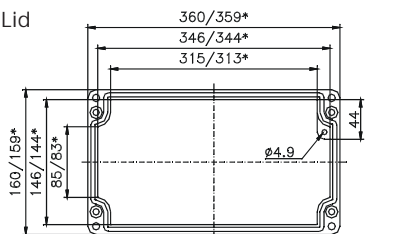
Weight: **2940 g**

DIN rail length in mm	max. fitting length in mm	Earthing rail clamp	Mounting plate (thickness in mm)	External mounting brackets	External hinge* set	EMC version	Internal hinge* set	SWB / SBG / SBGL Corr.protection	Allen lid screws	Silicone lid seal	Sealable lid screws in steel	Turn bolt fastener on request	Quick lock
TS 35	320	23	1.5	•	•	•	•	•	•	•	•	•	•

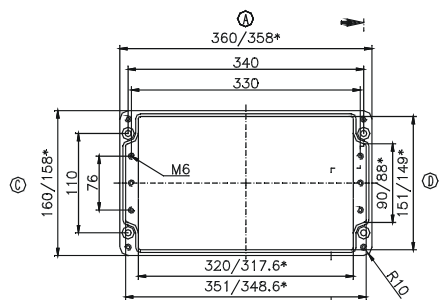
Maximum number of cable glands *to DIN 50262\**

M	Corner dim.	Side		PG	Corner dim.	Side	
		A/B	C/D			A/B	C/D
12	17.25	72	16	7	17.25	72	16
16	25.30	36	8	9	21.85	42	11
20	27.60	24	6	11	25.30	33	6
25	37.95	15	3	13.5	27.60	24	6
32	48.30	7	2	16	31.05	20	5
40	60.95	5	1	21	37.95	14	3
50	69.00	4		29	48.30	7	2
63	74.75			36	60.95	5	1
				42	69.00	4	
				48	74.75		

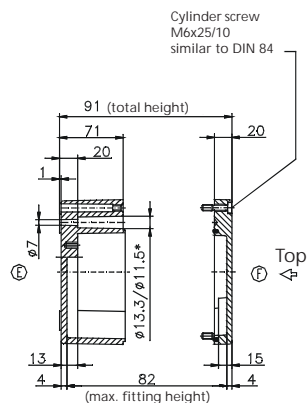
Lid



\* = Conical form tapering downwards  
Free dimensions-tolerance to GTA 13/5 DIN 1688



Base



Type: **01.16 56 09**

External dimensions: **160 x 560 x 91 mm**

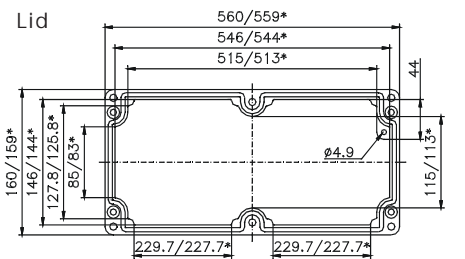
Weight: **4457 g**

DIN rail length in mm	max. fitting length in mm	Earthing rail clamp	Mounting plate (thickness in mm)	External mounting brackets	External hinge* set	EMC version	Internal hinge* set	SWB / SBG / SBGL Corr.protection	Allen lid screws	Silicone lid seal	Sealable lid screws in steel	Turn bolt fastener on request	Quick lock
TS 35	520	38	2	•	•	•	•	•	•	•	•	•	•

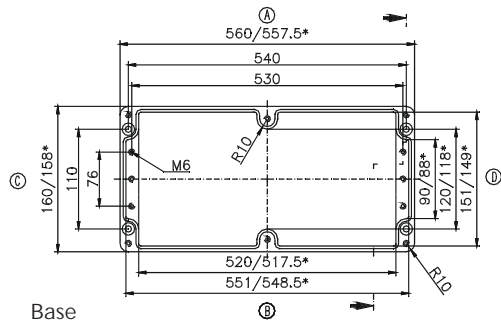
Maximum number of cable glands *to DIN 50262\**

M	Corner dim.	Side		PG	Corner dim.	Side	
		A/B	C/D			A/B	C/D
12	17.25	104	16	7	17.25	104	16
16	25.30	58	8	9	21.85	66	11
20	27.60	40	6	11	25.30	58	6
25	37.95	24	3	13.5	27.60	40	6
32	48.30	12	2	16	31.05	32	5
40	60.95	8	1	21	37.95	24	3
50	69.00	6		29	48.30	12	2
63	74.75			36	60.95	8	1
				42	69.00	6	
				48	74.75		

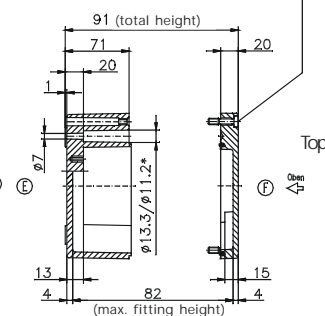
Lid



\* = Conical form tapering downwards  
Free dimensions-tolerance to GTA 13/5 DIN 1688



Base



\* Please quote mounting side

Type: **01.18 18 10**

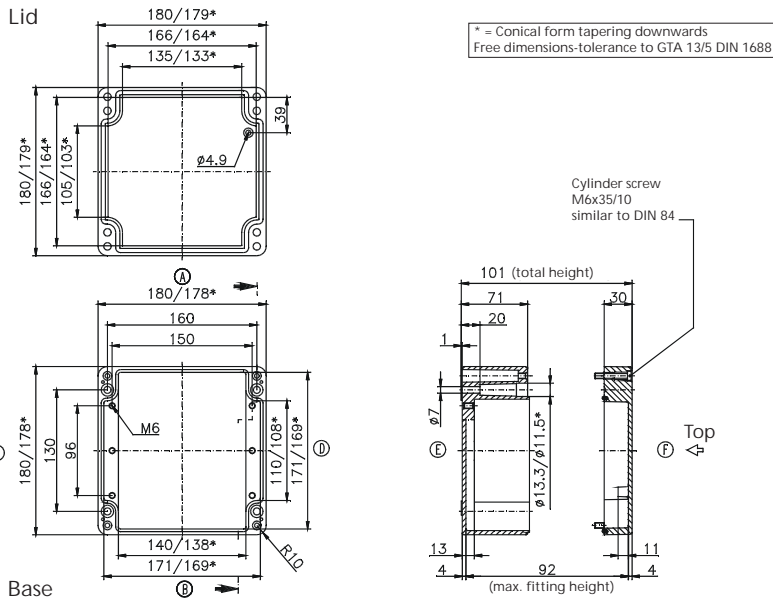
External dimensions: **180 x 180 x 101 mm**

Weight: **2400 g**

DIN rail length in mm	max. fitting length in mm	Earthing rail clamp	Mounting plate (thickness in mm)	External mounting brackets	External hinge* set	EMC version	Internal hinge* set	SWB / SBG / SBGL Corr.protection	Allen lid screws	Silicone lid seal	Sealable lid screws in steel	Turn bolt fastener on request	Quick lock
TS 35	140	8	1.5	•	•	•	•	•	•	•	•	•	•
166	140	8	1.5	•	•	•	•	•	•	•	•	•	•

Maximum number of cable glands *to DIN 50262\**

M	Corner dim.	Side		PG	Corner dim.	Side	
		A/B	C/D			A/B	C/D
12	17.25	30	20	7	17.25	28	20
16	25.30	15	9	9	21.85	18	14
20	27.60	11	8	11	25.30	15	8
25	37.95	6	3	13.5	27.60	11	8
32	48.30	3	2	16	31.05	8	6
40	60.95	2	2	21	37.95	6	3
50	69.00	2		29	48.30	3	2
63	74.75			36	60.95	2	2
				42	69.00	2	
				48	74.75		



Type: **01.18 28 10**

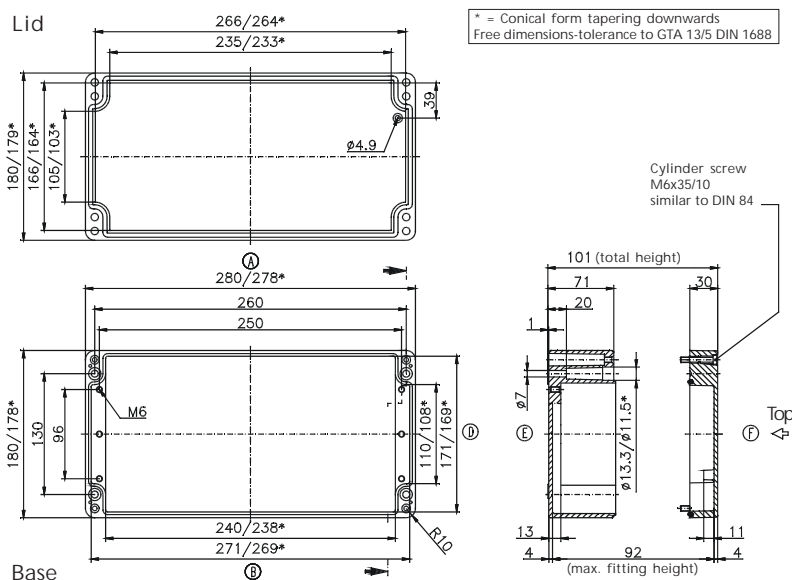
External dimensions: **180 x 280 x 101 mm**

Weight: **3000 g**

DIN rail length in mm	max. fitting length in mm	Earthing rail clamp	Mounting plate (thickness in mm)	External mounting brackets	External hinge* set	EMC version	Internal hinge* set	SWB / SBG / SBGL Corr.protection	Allen lid screws	Silicone lid seal	Sealable lid screws in steel	Turn bolt fastener on request	Quick lock
TS 35	240	16	1.5	•	•	•	•	•	•	•	•	•	•
264	240	16	1.5	•	•	•	•	•	•	•	•	•	•

Maximum number of cable glands *to DIN 50262\**

M	Corner dim.	Side		PG	Corner dim.	Side	
		A/B	C/D			A/B	C/D
12	17.25	52	22	7	17.25	52	22
16	25.30	26	10	9	21.85	33	15
20	27.60	18	8	11	25.30	23	10
25	37.95	11	4	13.5	27.60	18	8
32	48.30	5	2	16	31.05	14	7
40	60.95	4	2	21	37.95	10	4
50	69.00	3		29	48.30	5	2
63	74.75			36	60.95	4	2
				42	69.00	3	
				48	74.75		



\* Please quote mounting side

Type: **01.23 10 11**

External dimensions: **230 x 100 x 111 mm**

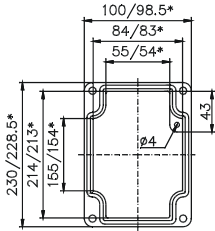
Weight: **2300 g**

DIN rail length in mm	max. fitting length in mm	Earthing rail clamp	Mounting plate (thickness in mm)	External mounting brackets	External hinge* set	EMC version	Internal hinge* set	SWB / SBGL Corr-protection	Allen lid screws	Silicone lid seal	Sealable lid screws in steel	Turn bolt fastener on request	Quick lock
TS35													
214	190		1.5	•	•	•	•	•	•	•	•	•	•

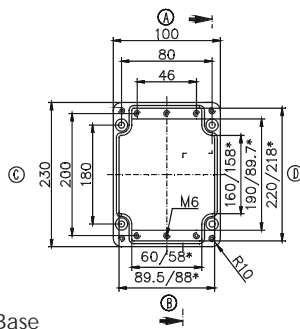
Maximum number of cable glands *to DIN 50262\**

M	Corner dim.	Side		PG	Corner dim.	Side	
		A/B	C/D			A/B	C/D
12	17.25	15	45	7	17.25	15	45
16	25.30	8	18	9	21.85	10	28
20	27.60	6	17	11	25.30	6	18
25	37.95	3	8	13.5	27.60	6	17
32	48.30	2	5	16	31.05	5	12
40	60.95	1	3	21	37.95	3	8
50	69.00	1	2	29	48.30	1	4
63	74.75		2	36	60.95	1	3
				42	69.00	1	2
				48	74.75	1	2

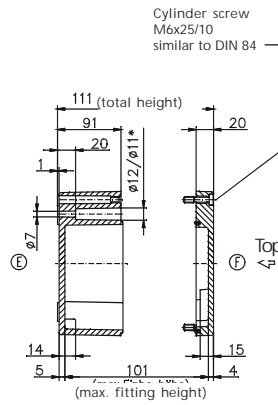
Lid



\* = Conical form tapering downwards  
Free dimensions-tolerance to GTA 13/5 DIN 1688



Base



Type: **01.23 20 11**

External dimensions: **232 x 202 x 111 mm**

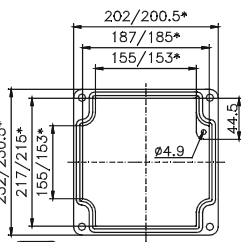
Weight: **2880 g**

DIN rail length in mm	max. fitting length in mm	Earthing rail clamp	Mounting plate (thickness in mm)	External mounting brackets	External hinge* set	EMC version	Internal hinge* set	SWB / SBGL Corr-protection	Allen lid screws	Silicone lid seal	Sealable lid screws in steel	Turn bolt fastener on request	Quick lock
TS 35													
186	160	12	1.5	•	•	•	•	•	•	•	•	•	•

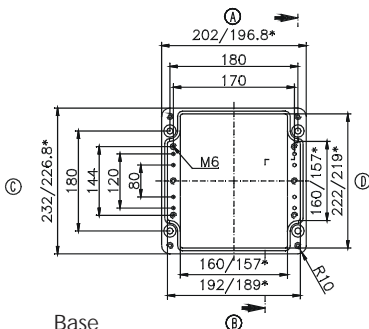
Maximum number of cable glands *to DIN 50262\**

M	Corner dim.	Side		PG	Corner dim.	Side	
		A/B	C/D			A/B	C/D
12	17.25	45	45	7	17.25	45	45
16	25.30	22	18	9	21.85	28	28
20	27.60	18	17	11	25.30	20	18
25	37.95	8	8	13.5	27.60	18	17
32	48.30	6	5	16	31.05	15	12
40	60.95	3	3	21	37.95	8	8
50	69.00	2	2	29	48.30	5	4
63	74.75	2	2	36	60.95	3	3
				42	69.00	2	2
				48	74.75	2	2

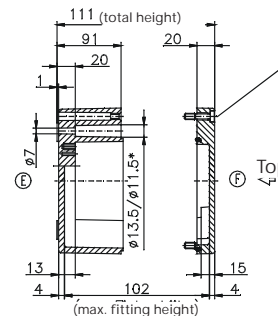
Lid



\* = Conical form tapering downwards  
Free dimensions-tolerance to GTA 13/5 DIN 1688



Base



\* Please quote mounting side

Type: **01.23 20 18**

External dimensions: **232 x 202 x 181 mm**

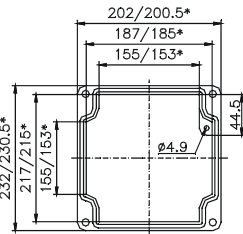
Weight: **4600 g**

DIN rail length in mm	max. fitting length in mm	Earthing rail clamp	Mounting plate (thickness in mm)	External mounting brackets	External hinge* set	EMC version	Internal hinge* set	SWB / SBG / SBGL Corr.protection	Allen lid screws	Silicone lid seal	Sealable lid screws in steel	Turn bolt fastener on request	Quick lock
TS 35													
186	160	12	1.5	•	•	•	•	•	•	•	•	•	•

Maximum number of cable glands *to DIN 50262\**

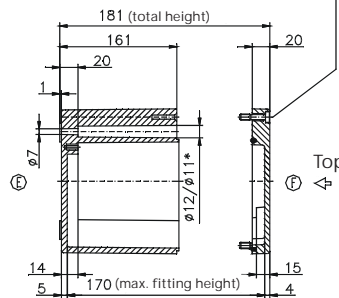
M	Corner dim.	Side		PG	Corner dim.	Side	
		A/B	C/D			A/B	C/D
12	17.25	90	81	7	17.25	90	81
16	25.30	42	36	9	21.85	56	49
20	27.60	33	33	11	25.30	42	36
25	37.95	18	16	13.5	27.60	33	33
32	48.30	10	9	16	31.05	25	25
40	60.95	6	6	21	37.95	16	16
50	69.00	5	5	29	48.30	10	9
63	74.75	4	4	36	60.95	6	5
				42	69.00	5	4
				48	74.75	4	4

Lid

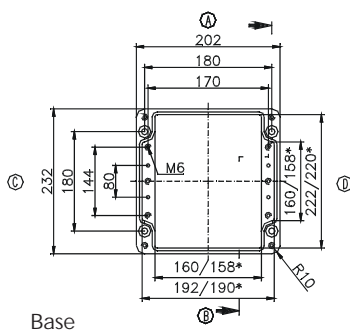


\* = Conical form tapering downwards  
Free dimensions-tolerance to GTA 13/5 DIN 1688

Cylinder screw  
M6x25/10  
similar to DIN 84



Base



Type: **01.23 28 11**

External dimensions: **230 x 280 x 111 mm**

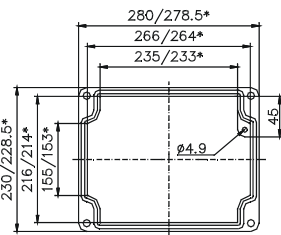
Weight: **3460 g**

DIN rail length in mm	max. fitting length in mm	Earthing rail clamp	Mounting plate (thickness in mm)	External mounting brackets	External hinge* set	EMC version	Internal hinge* set	SWB / SBG / SBGL Corr.protection	Allen lid screws	Silicone lid seal	Sealable lid screws in steel	Turn bolt fastener on request	Quick lock
TS 35													
264	240	16	1.5	•	•	•	•	•	•	•	•	•	•

Maximum number of cable glands *to DIN 50262\**

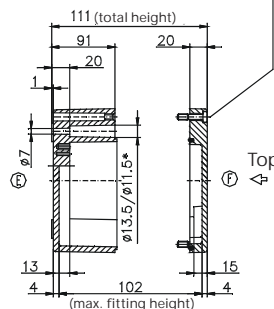
M	Corner dim.	Side		PG	Corner dim.	Side	
		A/B	C/D			A/B	C/D
12	17.25	70	45	7	17.25	68	45
16	25.30	32	18	9	21.85	44	28
20	27.60	24	17	11	25.30	32	18
25	37.95	12	8	13.5	27.60	24	17
32	48.30	9	5	16	31.05	21	12
40	60.95	4	3	21	37.95	12	8
50	69.00	3	2	29	48.30	9	4
63	74.75	3	2	36	60.95	4	3
				42	69.00	3	2
				48	74.75	3	2

Lid

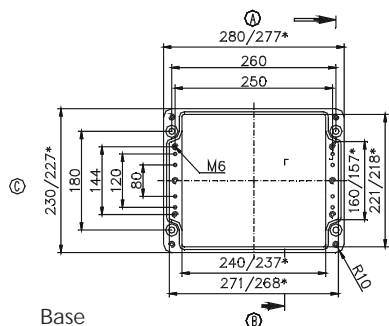


\* = Conical form tapering downwards  
Free dimensions-tolerance to GTA 13/5 DIN 1688

Cylinder screw  
M6x25/10  
similar to DIN 84



Base



\* Please quote mounting side

Type: **01.23 33 11**

External dimensions: **230 x 330 x 111 mm**

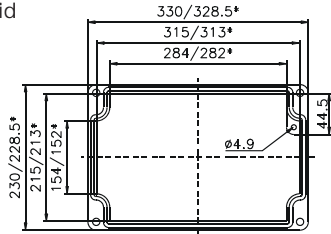
Weight: **3500 g**

DIN rail length in mm	max. fitting length in mm	Earthing rail clamp	Mounting plate (thickness in mm)	External mounting brackets	External hinge* set	EMC version	Internal hinge* set	SWB / SBG / SBGL Corr.protection	Allen lid screws	Silicone lid seal	Sealable lid screws in steel	Turn bolt fastener on request	Quick lock
TS 35													
314	290	21	1.5	•	•	•	•	•	•	•	•	•	•

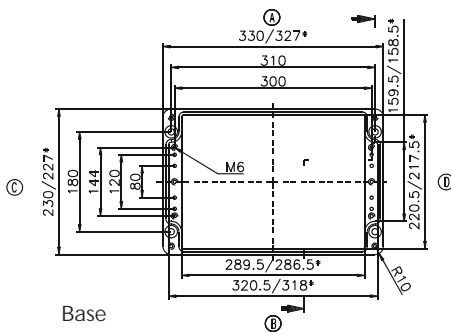
Maximum number of cable glands *to DIN 50262\**

M	Corner dim.	Side		PG	Corner dim.	Side		
		A	C			A	C	
12	17.25	84	45	7	17.25	81	45	
16	25.30	42	18	9	21.85	52	28	
20	27.60	30	17	11	25.30	38	18	
25	37.95	15	8	13.5	27.60	30	17	
32	48.30	11	5	16	31.05	27	12	
40	60.95	5	3	21	37.95	15	8	
50	69.00	4	2	29	48.30	11	4	
63	74.75	4	2	36	60.95	5	3	
					42	69.00	4	2
					48	74.75	4	2

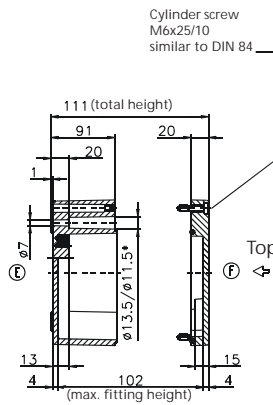
Lid



\* = Conical form tapering downwards  
Free dimensions-tolerance to GTA 13/5 DIN 1688



Base



Type: **01.23 33 18**

External dimensions: **230 x 330 x 181 mm**

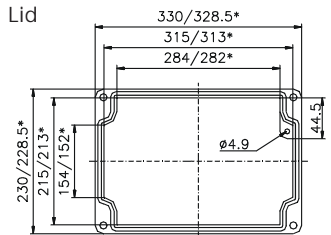
Weight: **6400 g**

DIN rail length in mm	max. fitting length in mm	Earthing rail clamp	Mounting plate (thickness in mm)	External mounting brackets	External hinge* set	EMC version	Internal hinge* set	SWB / SBG / SBGL Corr.protection	Allen lid screws	Silicone lid seal	Sealable lid screws in steel	Turn bolt fastener on request	Quick lock
TS 35													
314	290	21	1.5	•	•	•	•	•	•	•	•	•	•

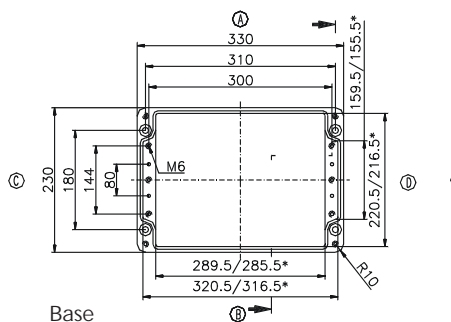
Maximum number of cable glands *to DIN 50262\**

M	Corner dim.	Side		PG	Corner dim.	Side		
		A	C			A	C	
12	17.25	165	81	7	17.25	144	81	
16	25.30	77	36	9	21.85	104	49	
20	27.60	60	33	11	25.30	77	36	
25	37.95	30	16	13.5	27.60	60	33	
32	48.30	18	9	16	31.05	45	25	
40	60.95	11	6	21	37.95	30	16	
50	69.00	8	5	29	48.30	18	9	
63	74.75	8	4	36	60.95	11	5	
					42	69.00	8	4
					48	74.75	8	4

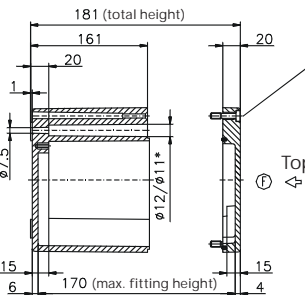
Lid



\* = Conical form tapering downwards  
Free dimensions-tolerance to GTA 13/5 DIN 1688



Base



\* Please quote mounting side

Type: **01.23 40 11**

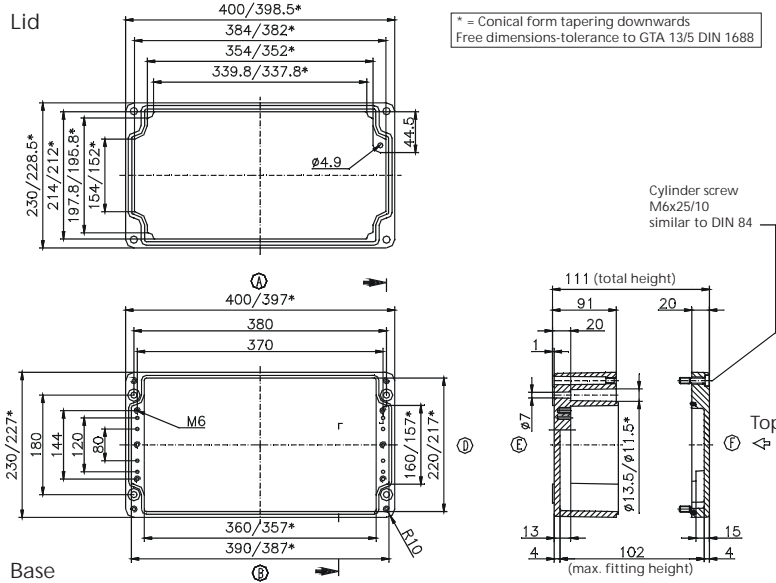
External dimensions: **230 x 400 x 111 mm**

Weight: **4833 g**

DIN rail length in mm	max. fitting length in mm	Earthing rail clamp	Mounting plate (thickness in mm)	External mounting brackets	External hinge* set	EMC version	Internal hinge* set	SWB / SBG / SBGL Corr.protection	Allen lid screws	Silicone lid seal	Sealable lid screws in steel	Turn bolt fastener on request	Quick lock
TS 35													
381	360	26	2	•	•	•	•	•	•	•	•	•	•

Maximum number of cable glands *to DIN 50262\**

M	Corner dim.	Side			PG	Corner dim.	Side		
		A	B	C/D			A	B	C/D
12	17.25	103	45	7	17.25	103	45		
16	25.30	50	18	9	21.85	64	28		
20	27.60	39	17	11	25.30	46	18		
25	37.95	20	8	13.5	27.60	39	17		
32	48.30	14	5	16	31.05	33	12		
40	60.95	6	3	21	37.95	18	8		
50	69.00	5	2	29	48.30	13	4		
63	74.75	5	2	36	60.95	6	3		
					42	69.00	5	2	
					48	74.75	5	2	



Type: **01.23 40 23**

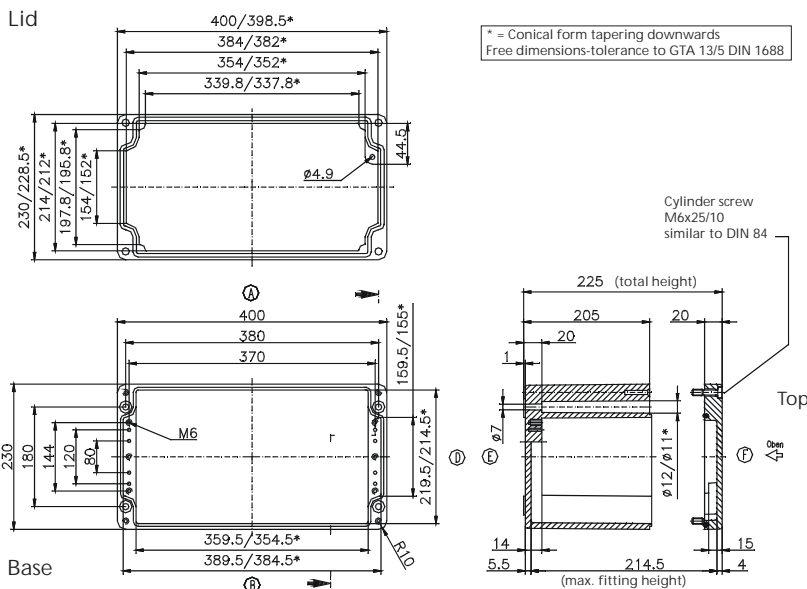
External dimensions: **230 x 400 x 225 mm**

Weight: **8300 g**

DIN rail length in mm	max. fitting length in mm	Earthing rail clamp	Mounting plate (thickness in mm)	External mounting brackets	External hinge* set	EMC version	Internal hinge* set	SWB / SBG / SBGL Corr.protection	Allen lid screws	Silicone lid seal	Sealable lid screws in steel	Turn bolt fastener on request	Quick lock
TS 35													
381	360	26	2	•	•	•	•	•	•	•	•	•	•

Maximum number of cable glands *to DIN 50262\**

M	Corner dim.	Side			PG	Corner dim.	Side		
		A	B	C/D			A	B	C/D
12	17.25	240	108	7	17.25	240	108		
16	25.30	122	48	9	21.85	160	63		
20	27.60	100	44	11	25.30	112	48		
25	37.95	54	21	13.5	27.60	100	44		
32	48.30	30	13	16	31.05	77	35		
40	60.95	18	9	21	37.95	54	21		
50	69.00	15	6	29	48.30	30	13		
63	74.75	12	5	36	60.95	18	6		
					42	69.00	15	6	
					48	74.75	12	5	



\* Please quote mounting side



Type: **01.23 60 11**

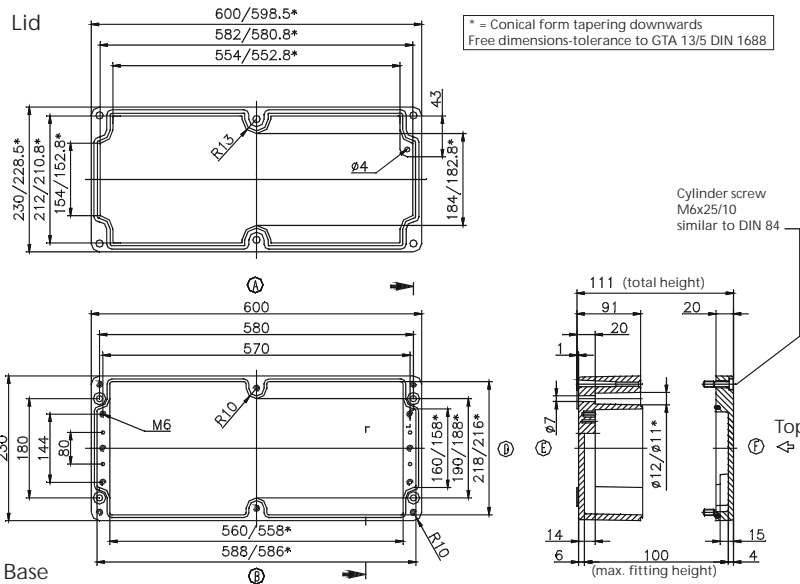
External dimensions: **230 x 600 x 111 mm**

Weight: **8700 g**

DIN rail length in mm	max. fitting length in mm	Earthing rail clamp	Mounting plate (thickness in mm)	External mounting brackets	External hinge* set	EMC version	Internal hinge* set	SWB / SBG / SBGL Cor.protection	Allen lid screws	Silicone lid seal	Sealable lid screws in steel	Turn bolt fastener on request	Quick lock
TS 35													
581	560	41	2	•	•	•	•	•	•	•	•	•	•

Maximum number of cable glands *to DIN 50262\**

M	Corner dim.	Side		PG	Corner dim.	Side	
		A	C			B	D
12	17.25	150	43	7	17.25	150	43
16	25.30	72	18	9	21.85	96	28
20	27.60	54	17	11	25.30	68	18
25	37.95	28	8	13.5	27.60	54	15
32	48.30	20	4	16	31.05	28	12
40	60.95	10	3	21	37.95	28	8
50	69.00	8	2	29	48.30	20	4
63	74.75	6	2	36	60.95	10	2
				42	69.00	8	2
				48	74.75	6	2



Type: **01.31 40 11**

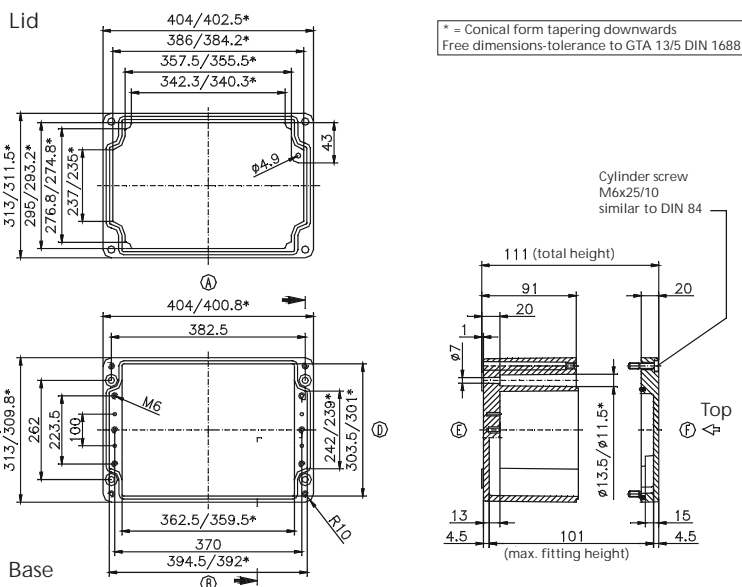
External dimensions: **313 x 404 x 111 mm**

Weight: **6400 g**

DIN rail length in mm	max. fitting length in mm	Earthing rail clamp	Mounting plate (thickness in mm)	External mounting brackets	External hinge* set	EMC version	Internal hinge* set	SWB / SBG / SBGL Cor.protection	Allen lid screws	Silicone lid seal	Sealable lid screws in steel	Turn bolt fastener on request	Quick lock
TS 35													
381	360	26	2	•	•	•	•	•	•	•	•	•	•

Maximum number of cable glands *to DIN 50262\**

M	Corner dim.	Side		PG	Corner dim.	Side	
		A	C			B	D
12	17.25	105	68	7	17.25	103	68
16	25.30	50	28	9	21.85	64	42
20	27.60	39	26	11	25.30	46	27
25	37.95	20	12	13.5	27.60	39	24
32	48.30	14	7	16	31.05	33	18
40	60.95	6	4	21	37.95	18	12
50	69.00	5	3	29	48.30	13	7
63	74.75	5	3	36	60.95	6	4
				42	69.00	5	3
				48	74.75	5	3



\* Please quote mounting side

Type: **01.31 40 14**

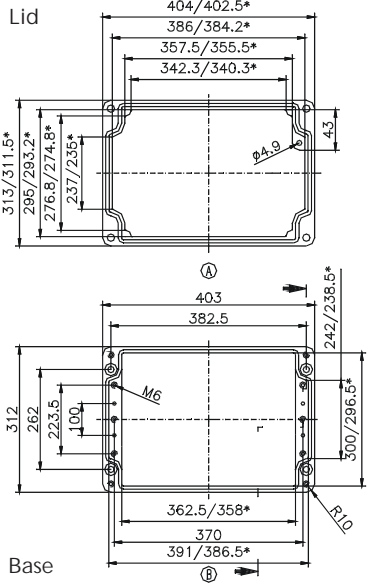
External dimensions: **312 x 403 x 141 mm**

Weight: **9500 g**

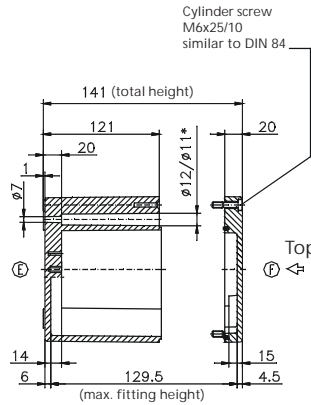
DIN rail length in mm	max. fitting length in mm	Earthing rail clamp	Mounting plate (thickness in mm)	External mounting brackets	External hinge* set	EMC version	Internal hinge* set	SWB / SBG / SBGL Corr.protection	Allen lid screws	Silicone lid seal	Sealable lid screws in steel	Turn bolt fastener on request	Quick lock
TS 35													
381	360	26	2	•	•	•	•	•	•	•	•	•	•

Maximum number of cable glands *to DIN 50262\**

M	Corner dim.	Side			PG	Corner dim.	Side		
		A	B	C			D	A	B
12	17.25	147	95	7	17.25	147	95		
16	25.30	70	43	9	21.85	96	55		
20	27.60	55	32	11	25.30	70	40		
25	37.95	28	18	13.5	27.60	55	32		
32	48.30	17	10	16	31.05	44	28		
40	60.95	12	7	21	37.95	27	18		
50	69.00	7	4	29	48.30	17	10		
63	74.75	6	3	36	60.95	12	7		
					42	69,00	7	4	
					48	74,75	6	3	



\* = Conical form tapering downwards  
Free dimensions-tolerance to GTA 13/5 DIN 1688



Type: **01.31 40 18**

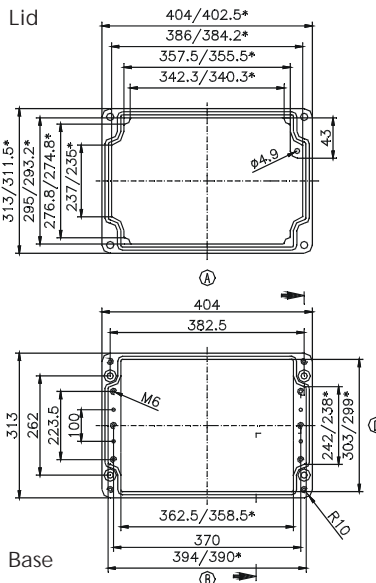
External dimensions: **313 x 404 x 181 mm**

Weight: **9780 g**

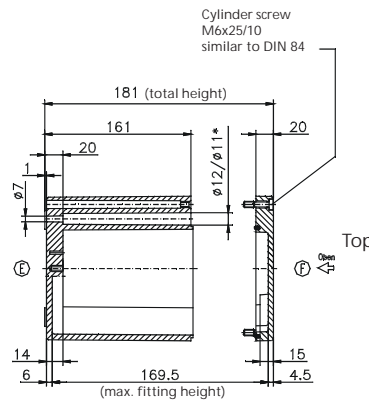
DIN rail length in mm	max. fitting length in mm	Earthing rail clamp	Mounting plate (thickness in mm)	External mounting brackets	External hinge* set	EMC version	Internal hinge* set	SWB / SBG / SBGL Corr.protection	Allen lid screws	Silicone lid seal	Sealable lid screws in steel	Turn bolt fastener on request	Quick lock
TS 35													
381	360	26	2	•	•	•	•	•	•	•	•	•	•

Maximum number of cable glands *to DIN 50262\**

M	Corner dim.	Side			PG	Corner dim.	Side		
		A	B	C			D	A	B
12	17.25	205	122	7	17.25	205	122		
16	25.30	98	54	9	21.85	128	77		
20	27.60	78	51	11	25.30	98	54		
25	37.95	40	24	13.5	27.60	75	48		
32	48.30	22	15	16	31.05	60	38		
40	60.95	15	9	21	37.95	38	24		
50	69.00	11	6	29	48.30	22	15		
63	74.75	8	6	36	60.95	14	8		
					42	69,00	10	6	
					48	74,75	10	6	



\* = Conical form tapering downwards  
Free dimensions-tolerance to GTA 13/5 DIN 1688



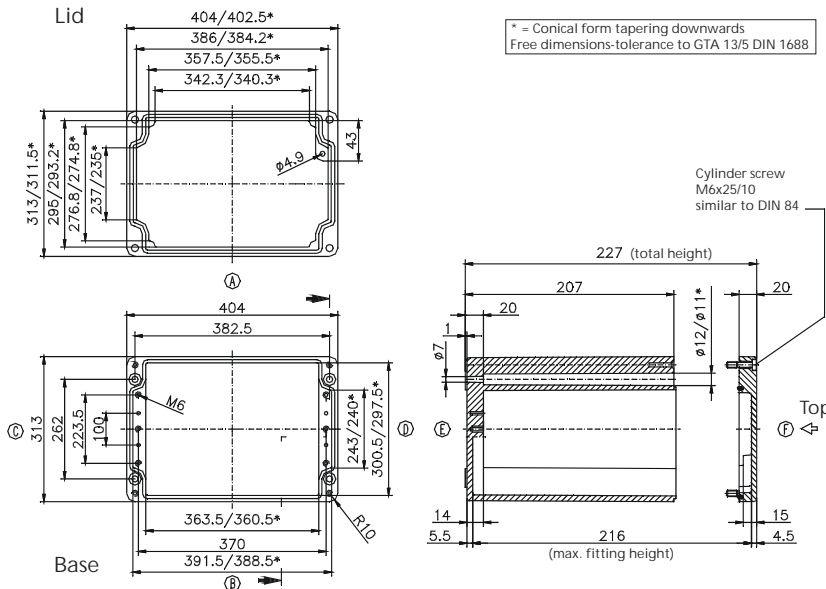
\* Please quote mounting side

Type: **01.31 40 23**

External dimensions: **313 x 404 x 227 mm**

Weight: **11000 g**

DIN rail length in mm	max. fitting length in mm	Earthing rail clamp	Mounting plate (thickness in mm)	External mounting brackets	External hinge* set	EMC version	Internal hinge* set	SWB / SBG / SBGL Corr.protection	Allen lid screws	Silicone lid seal	Sealable lid screws in steel	Turn bolt fastener on request	Quick lock
TS 35													
381	360	26	2	•	•	•	•	•	•	•	•	•	•



Maximum number of cable glands to DIN 50262\*

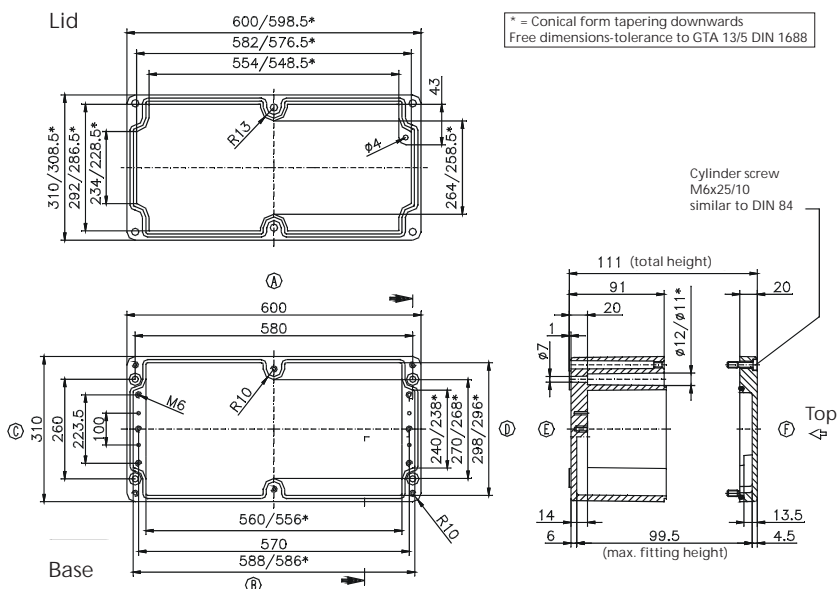
M	Corner dim.	Side		PG	Corner dim.	Side	
		A/B	C/D			A/B	C/D
12	17.25	246	162	7	17.25	246	162
16	25.30	126	72	9	21.85	160	99
20	27.60	100	68	11	25.30	112	72
25	37.95	54	33	13.5	27.60	100	64
32	48.30	30	20	16	31.05	77	53
40	60.95	18	12	21	37.95	54	33
50	69.00	15	9	29	48.30	30	20
63	74.75	12	8	36	60.95	18	12
				42	69.00	15	9
				48	74.75	14	8

Type: **01.31 60 11**

External dimensions: **310 x 600 x 111 mm**

Weight: **10160 g**

DIN rail length in mm	max. fitting length in mm	Earthing rail clamp	Mounting plate (thickness in mm)	External mounting brackets	External hinge* set	EMC version	Internal hinge* set	SWB / SBG / SBGL Corr.protection	Allen lid screws	Silicone lid seal	Sealable lid screws in steel	Turn bolt fastener on request	Quick lock
TS 35													
581	560	41	2	•	•	•	•	•	•	•	•	•	•



Maximum number of cable glands to DIN 50262\*

M	Corner dim.	Side		PG	Corner dim.	Side	
		A/B	C/D			A/B	C/D
12	17.25	150	68	7	17.25	150	68
16	25.30	76	28	9	21.85	96	42
20	27.60	60	24	11	25.30	72	27
25	37.95	30	12	13.5	27.60	60	24
32	48.30	20	7	16	31.05	48	18
40	60.95	10	4	21	37.95	28	12
50	69.00	8	3	29	48.30	20	6
63	74.75	6	3	36	60.95	10	4
				42	69.00	8	3
				48	74.75	6	3

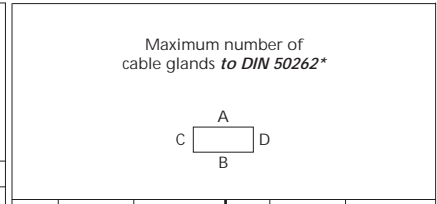
\* Please quote mounting side

Type: **01.31 60 18**

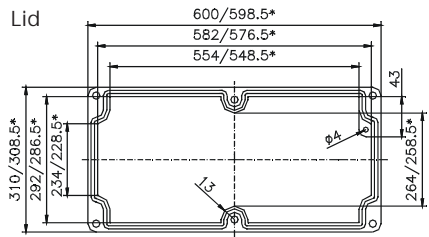
External dimensions: **310 x 600 x 181 mm**

Weight: **12560 g**

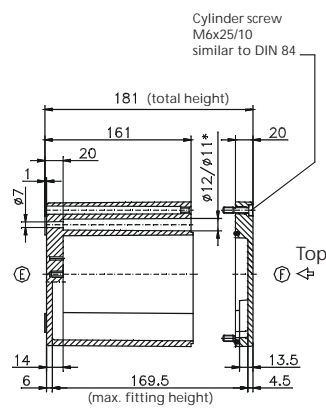
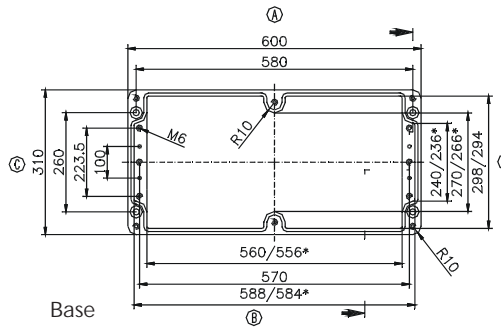
DIN rail length in mm	max. fitting length in mm	Earthing rail clamp	Mounting plate (thickness in mm)	External mounting brackets	External hinge* set	EMC version	Internal hinge* set	SWB / SBG / SBGL Corr.protection	Allen lid screws	Silicone lid seal	Sealable lid screws in steel	Turn bolt fastener on request	Quick lock
TS 35													
581	560	41	2	•	•	•	•	•	•	•	•	•	•



M	Cor-ner dim.	Side		PG	Cor-ner dim.	Side	
		A	C			A	C
12	17.25	150	68	7	17.25	150	68
16	25.30	76	28	9	21.85	96	42
20	27.60	60	24	11	25.30	72	27
25	37.95	30	12	13.5	27.60	60	24
32	48.30	20	7	16	31.05	48	18
40	60.95	10	4	21	37.95	28	12
50	69.00	8	3	29	48.30	20	6
63	74.75	6	3	36	60.95	10	4
				42	69.00	8	3
				48	74.75	6	3



\* = Conical form tapering downwards  
Free dimensions-tolerance to GTA 13/5 DIN 1688



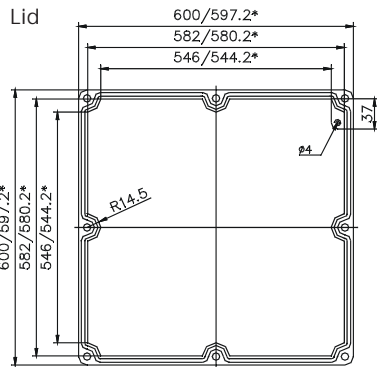
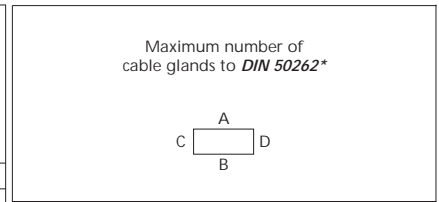
\* Please quote mounting side

Type: **01.60 60 20**

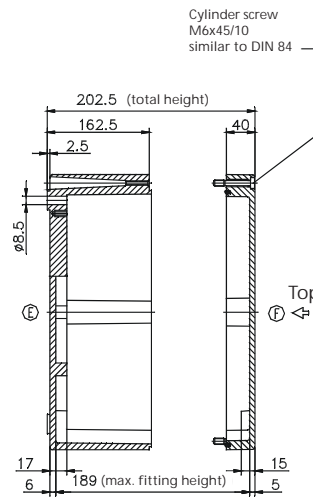
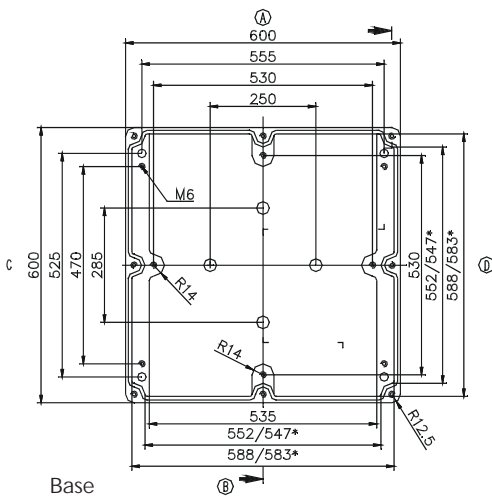
External dimensions: **600 x 600 x 202 mm**

Weight: **26200 g**

DIN rail length in mm	max. fitting length in mm	Earthing rail clamp	Mounting plate (thickness in mm)	External mounting brackets	External hinge* set	EMC version	Internal hinge* set	SWB / SBG / SBGL Corr. protection	Allen lid screws	Silicone lid seal	Sealable lid screws in steel	Turn bolt fastener on request	Quick lock
TS 35	552		2.5		•			•		•			



\* = Conical form tapering downwards  
Free dimensions-tolerance to GTA 13/5 DIN 1688



M	Corner dim.	Side		PG	Corner dim.	Side	
		A	C			A	C
12	17.25	270	270	7	17.25	270	270
16	25.30	140	140	9	21.85	184	184
20	27.60	108	108	11	25.30	134	134
25	37.95	56	56	13.5	27.60	108	108
32	48.30	32	32	16	31.05	84	84
40	60.95	22	22	21	37.95	56	56
50	69.00	16	16	29	48.30	32	32
63	74.75	12	12	36	60.95	18	18
				42	69.00	12	12
				48	74.75	12	12

\* Please quote mounting side