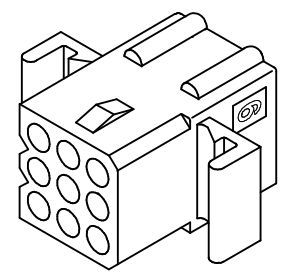
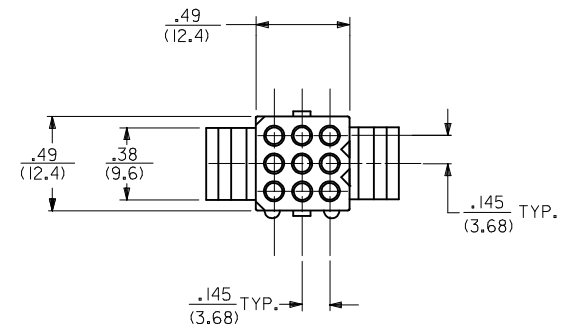
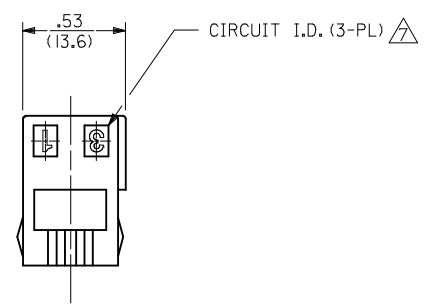
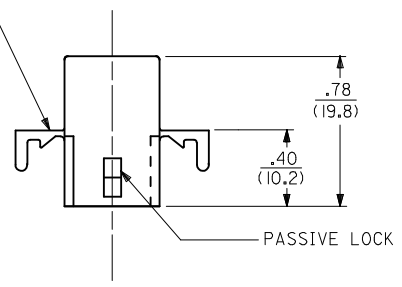
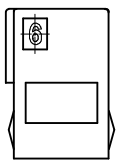


OPTIONAL MOUNTING EARS  
SEE DETAIL 3 OR 4  
FOR VERSIONS AVAILABLE



RECEPTACLE

UPDATE REV. LEVEL EC NO: UCP2010-0585 DRWN:TBENES 2009/09/04 CHKD: 2009/09/10 APPR:FSMLTH 2009/09/15	QUALITY SYMBOLS ▽=0 ▽=0	GENERAL TOLERANCES (UNLESS SPECIFIED)		DIMENSION STYLE IN/MM	SCALE 1:1	DESIGN UNITS INCH	THIRD ANGLE PROJECTION		
		4 PLACES ± --- ± ---	3 PLACES ± --- ± .010	2 PLACES ± 0.25 ± .014	1 PLACE ± 0.36 ± ---	DRAWN BY JJS	DATE 1988/02/05	CHECKED BY RW	DATE 1988/02/05
		ANGULAR ± 1/2°		DRAFT WHERE APPLICABLE MUST REMAIN WITHIN DIMENSIONS		APPROVED BY RAS	DATE 1988/02/05	MOLEX INCORPORATED	
		MATERIAL NO. SEE CHART		DOCUMENT NO. SD-1625-9*		SHEET NO. 2 OF 3		THIS DRAWING CONTAINS INFORMATION THAT IS PROPRIETARY TO MOLEX INCORPORATED AND SHOULD NOT BE USED WITHOUT WRITTEN PERMISSION	

13

12

11

10

9

8

7

6

5

4

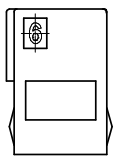
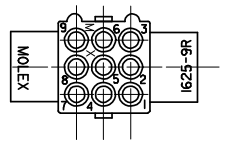
3

2

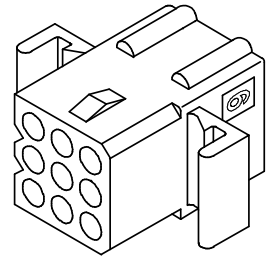
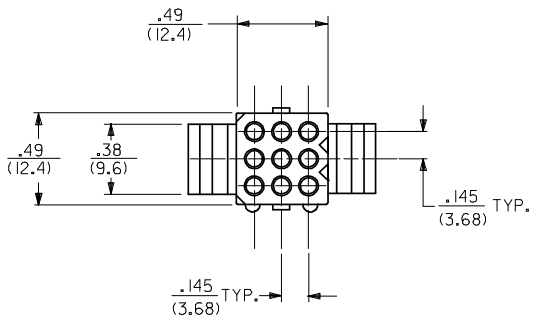
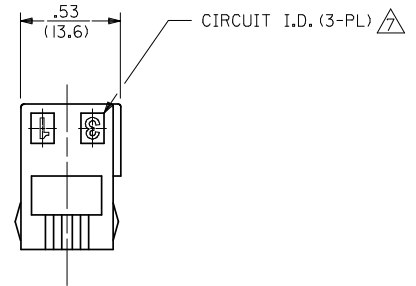
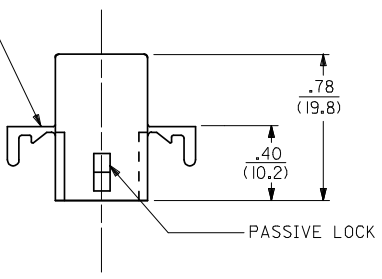
1

J  
I  
H  
G  
F  
E  
D  
C  
B  
A

J  
I  
H  
G  
F  
E  
D  
C  
B  
A



OPTIONAL MOUNTING EARS  
SEE DETAIL 3 OR 4  
FOR VERSIONS AVAILABLE



RECEPTACLE

INITIAL RELEASE EC NO: UCP2008-2420 DRAWN: PRIDDER 2008/04/10 CHKD: LSCHMIDT 2008/04/16 APPR: FSMITH 2008/04/24	DESCRIPTION REV A	QUALITY SYMBOLS ▼=0 ▽=0	GENERAL TOLERANCES (UNLESS SPECIFIED) mm INCH	DIMENSION STYLE IN/MM	SCALE 2:1	DESIGN UNITS INCH	THIRD ANGLE PROJECTION
		4 PLACES ± --- ± --- 3 PLACES ± --- ± .010 2 PLACES ± 0.25 ± .014 1 PLACE ± 0.36 ± --- ANGULAR ± 1/2°	DRAWN BY AELHAG 2008/04/07 CHECKED BY LSCHMIDT 2008/04/07 APPROVED BY FSMITH 2008/04/07	DATE 2008/04/07	TITLE .062/(1.57) HOUSINGS, PLUG AND RECEPTACLE, 9 CKT., .145/(3.68) CTRS		
		DRAFT WHERE APPLICABLE MUST REMAIN WITHIN DIMENSIONS	MATERIAL NO. SEE CHART	DOCUMENT NO. SD-1625-9**	SHEET NO. 2 OF 3		
		THIS DRAWING CONTAINS INFORMATION THAT IS PROPRIETARY TO MOLEX INCORPORATED AND SHOULD NOT BE USED WITHOUT WRITTEN PERMISSION					

12

11

10

9

8

7

6

5

4

3

2

1